



TECHNOMATIC EQUIPMENTS

SNOW CUTTER/BLOWER

TECHNOMATIC F-90

ILLUSTRATED PARTS CATALOGUE
FOR EQUIPMENT

Technomatic

Regd. Office- Technomatic Equipment, 3rd Floor, Shop No- 5,
Rama Palace-II, Sector-20B, Faridabad (Haryana) India -121002
TEL- +917070701334, Email- service@technomatic.in

ILLUSTRATED PARTS CATALOGUE FOR EQUIPMENT



SNOWBLOWER VEHICLE

F90

Publication	Revision	Author	Motivation
July 2025	0	Technomatic Equipments	1st publication

TAVOLE
ASSEMBLY

INTRODUCTION

Paragraph

- 1.1 INTRODUCTION
- 1.2 VEHICLE IDENTIFICATION LABEL
- 1.3 MANUFACTURER ADDRESS
- 1.4 INSTRUCTION FOR SPARE PARTS ORDER
- 1.5 WARRANTY
- 1.6 LIST OF PICTURES
- 1.7 INSTRUCTION FOR VEHICLE MOVING_F90
- 1.8 F90_SNOWBLOWER PLATE ADJUSTMENT

1.1 INTRODUCTION

This catalogue is for the maintainer of the SNOWBLOWER VEHICLE F90, it reports the list of spare parts showed in the following pictures.



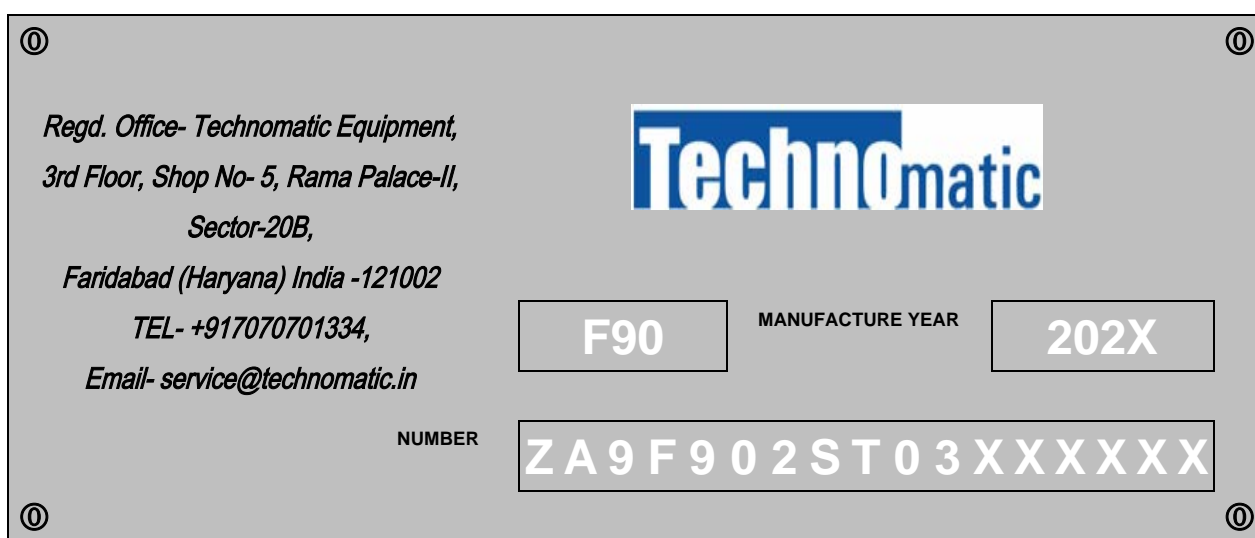
NOTE:

This catalogue must be held with the VEHICLE for the whole life of it.

Keep the catalogue and all the attached documents accessible from the people acting maintenance on the vehicle.

1.2 VEHICLE IDENTIFICATION LABEL

On vehicle is installed the follow metal label.



1.3 MANUFACTURER ADDRESS

For any kind of information about the use, maintenance, installation etc. Technomatic is always available to answer the demands of the Purchaser.

The Purchaser is requested to ask the questions in a clear, referring to this catalogue and always indicating the data reported on the identification plate of the machine.

Any request for assistance from the service at the customer or clarification regarding the technical aspects of this document should be addressed to:

The Technomatic logo is displayed in a blue and white color scheme, with the word 'Technomatic' in a bold, sans-serif font.

Regd. Office- Technomatic Equipment, 3rd Floor, Shop No- 5,

Rama Palace-II, Sector-20B,

Faridabad (Haryana) India -121002

TEL- +917070701334, Email- service@technomatic.in

1.4 INSTRUCTION FOR SPARE PARTS ORDER

The vehicle can, over time, present the need for the replacement of the parts subjected to wear. For this purpose, the Purchaser may make the ordination of parts to be replaced. The customer is obliged to buy original spare parts.

It is recommended the intervention of the Technical Assistance Center Technomatic which is available with qualified personnel, tools and equipment suitable and with original spare parts.

Any request regarding ordering of spare parts of the machine in which this data should always specify the model and serial number of the machine to which the replacement refers as reported on the label machine and must be addressed to:



*Regd. Office- Technomatic Equipment, 3rd Floor, Shop No- 5,
Rama Palace-II, Sector-20B,
Faridabad (Haryana) India -121002
TEL- +917070701334, Email- service@technomatic.in*

1.5 WARRANTY

In the construction of the machine SNOW BLOWER F90, the manufacturer has employed the type and quality of materials held at its sole discretion to be appropriate to the machine.

The manufacturer guarantees the line free from defects in material or workmanship for the period indicated into the agreement from the date of commissioning at the customer.

During this period, the manufacturer will repair or replace free of charge, in time, those parts that are flawed and / or defective at long as they were not recognizable on the basis of careful consideration at the time of testing or commissioning and provided the Customer gives notice of such defects and / or defects to the Manufacturer, in by registered mail, within eight days of discovery.

It remains excluded any further obligation and / or compensation from the manufacturer.

This guarantee applies only to Customer in compliance with the provisions of the contract and exclusively in the event that the installation and use of the machine are carried out in accordance with the instructions in the user's manual.

The warranty excludes any and all liability for direct and indirect damage to persons and property resulting from improper use or maintenance of the machine.

They are also excluded from the guarantee that all parties for their use are subject to wear.

Are finally excluded from the guarantee and therefore will be charged to customer transport costs, inspection, removal and replacement, due to the intervention of a technician of the manufacturer, if the defects and / or failures defects are not covered by warranty.

- Excluding all warranty claims and liability for personal injury and material, if they arise out of one or more of the following reasons:
- Improper use or abuse by the operator;
- Installation, commissioning, operation and maintenance on the machine is not correct;
- Use of the machine with safety devices or visibly defective safety devices and protective assembled incorrectly or damaged, or removed or tampered with;
- Failure to follow the warnings contained in the user's manual regarding installation, commissioning, operation, maintenance;
- Repairs carried out improperly;
- Accidents caused by foreign objects, negligence, overloading or acts of God.

1.6 LIST OF PICTURES**01 CHASSIS BRACKETS**

- 0101A = ORIENTIRING CYLINDER
- 0101B = FRONT PLATE
- 0102 = CHASSIS BRACKETS
- 0103 = SPARE WHEEL SUPPORT

02 SUSPENSIONS

- 0201 = FRONT AND REAR SUSPENSION

03 DIESEL AND UREA TANK

- 0301 = FUEL TANK AND SYSTEM

04 BRAKE SYSTEM

- 0401 =BRAKE SYSTEM
- 0402 =RALAY VALVE ASSEMBLY
- 0403 =ELECTROVALVE ASSEMBLY
- 0404 =APU ASSEMBLY
- 0405 =WATER SEPARATOR
- 0406 =AIR TANK 5l ASSEMBLY
- 0407 =COMPONENTS ON CHASSIS

05 HYDRAULIC SYSTEM

- 0401 = HYDRAULIC SYSTEM
- 0402 =HYDRAULIC SYSTEM FEEDING
- 0403 =STEERING SYSTEM
- 0404 =BLOWER HEAD SYSTEM
- 0405 =SERVICES SYSTEM
- 0406 =HYDROSTATIC TRACTION SYSTEM

06 ENGINE

- 0601 =ENGINE INSTALLATION
- 0602 =ENGINE ACCESSORIES
- 0603 =RADIATOR
- 0603_BIS =RADIATOR COOLING TANK AND HOSES

- 0604 =AIR FILTER

- 0605 =EXHAUSTING SYSTEM

07 FRONT AND REAR AXLE

- 0701 = FRONT AND REAR AXLE
- 0702 = AXLE ASSEMBLY
- 0703 = DIFFERENTIAL ASSEMBLY
- 0704 = DIFFERENTIAL LOCKING
- 0705 = SPINDLE ASSEMBLY
- 0706 = HUB ASSEMBLY
- 0707 = COG WHEEL ASSEMBLY
- 0708 = PLANETARY GEAR ASSEMBLY
- 0709 = RIGHT AND LEFT FRONT ARTICULATION JOINT

- 0710 = RIGHT AND LEFT REAR ARTICULATION JOINT

- 0711 = COMPLETE RIGHT AND LEFT FRONT ARTICULATION JOINT

- 0712 = COMPLETE RIGHT AND LEFT REAR ARTICULATION JOINT

- 0713 = STEERING CYLINDER
- 0714 = AXLE MOUNTING ON CHASSIS

08 TRANSFER REDUCER AND HANDBRAKE

- 0801 = TRANSFER REDUCER BRACKETS AND CYLINDERS MOUNTING

- 0801° = COMPLETE REDUCER CYLINDER

- 0801B = REAR TRACTION INSERTION CYLINDER

- 0802= COMPLETE HANDBRAKE CALIPER
- 0802A = PARKING BRAKE ASSEMBLY

- 0803 = REDUCER ASSEMBLY
- 0804 = DRIVING DISCONNECTION SUPPORT

- 0805 = UPPER GEARINGS HOUSING
- 0806 = CONNECTION TO H1 B 250 MOTOR
- 0807 = REAR COVER MOUNTING
- 0808 = TRANSFER REDUCER CASE ASSEMBLY

09 TWO SPEED BACK GEAR

- 0901 = CLUTCH CYLINDER AND FORK MOUNTING
- 0901A = CYLINDER
- 0901B = CILINDRO AZIONAMENTO RINVIO 2 VELOCITÀ / CYLINDER
- 0902 = MONTAGGIO COPERCHI ESTERNI E ALBERO RINVIO A 2 VELOCITA'/ EXTERNAL COVER AND TWO SPEED BACK GEAR SHAFT ASSEMBLY
- 0903 = ASSEMBLAGGIO SCATOLA RINVIO A 2 VELOCITA'/ TWO SPEED BACK GEAR ASSEMBLY
- 0904 = MONTAGGIO ALBERI INTERNI RINVIO / TWO SPEED BACK GEAR SHAFT ASSEMBLY
- 0905 = LUBRIFICAZIONE RINVIO / TWO SPEED BACK LUBRICATION
- 0906 = MONTAGGIO POMPA DANFOSS SU RINVIO A 2 VELOCITA' / DANFOSS PUMP MOUNTING ON TWO SPEED BACK GEAR
- 0907 = FRENO DI SICUREZZA (OPTIONAL) / SAFETY BRAKE (OPTIONAL)

10 TRASMISSIONI / TRANSMISSIONS

- 1001 = ALBERI DI TRASMISSIONE / TRANSMISSION SHAFTS
- 1002 = TRANSFER TRASMISSIONE / TRANSMISSIONS TRANSFER

11 RUOTE / WHEELS

- 1101 = PNEUMATICO FRESA / WHEEL TYRE

12 FRESA / BLOWER HEAD

- 1201 = ROTISMI 1° STADIO / 1ST STAGE GEARINGS
- 1202 = GIRANTE 2° STADIO / 2ND STAGE FAN
- 1203 = MONTAGGIO RULLO / AUGER RIBBON MOUNTING
- 1204 = ASSEMBLAGGIO RULLO / AUGER RIBBON ASSEMBLY
- 1205 = MONTAGGIO CONVOGLIATORE / CONVEYOR MOUNTING
- 1206 = FRESA COMPLETA / COMPLETE BLOWER HEAD
- 1207 = PATTINO COMPLETO COMPLETE SLIDING ELEMENT
- 1208 = CILINDRO SOLLEVAMENTO FRESA / LIFTING CYLINDER

- 1209 = TRALICCIO FRESA / BLOWER HEAD DOCKING TESTLE
- 1210 = TRESTLE CONNECTION TO THE CHASSIS

13 REAR BODY

- 1301 = REAR BODY COVER (FRONT VIEW)
- 1302 = REAR BODY COVER (REAR VIEW)
- 1303 = STEPS AND MUDGUARDS

14 CAB

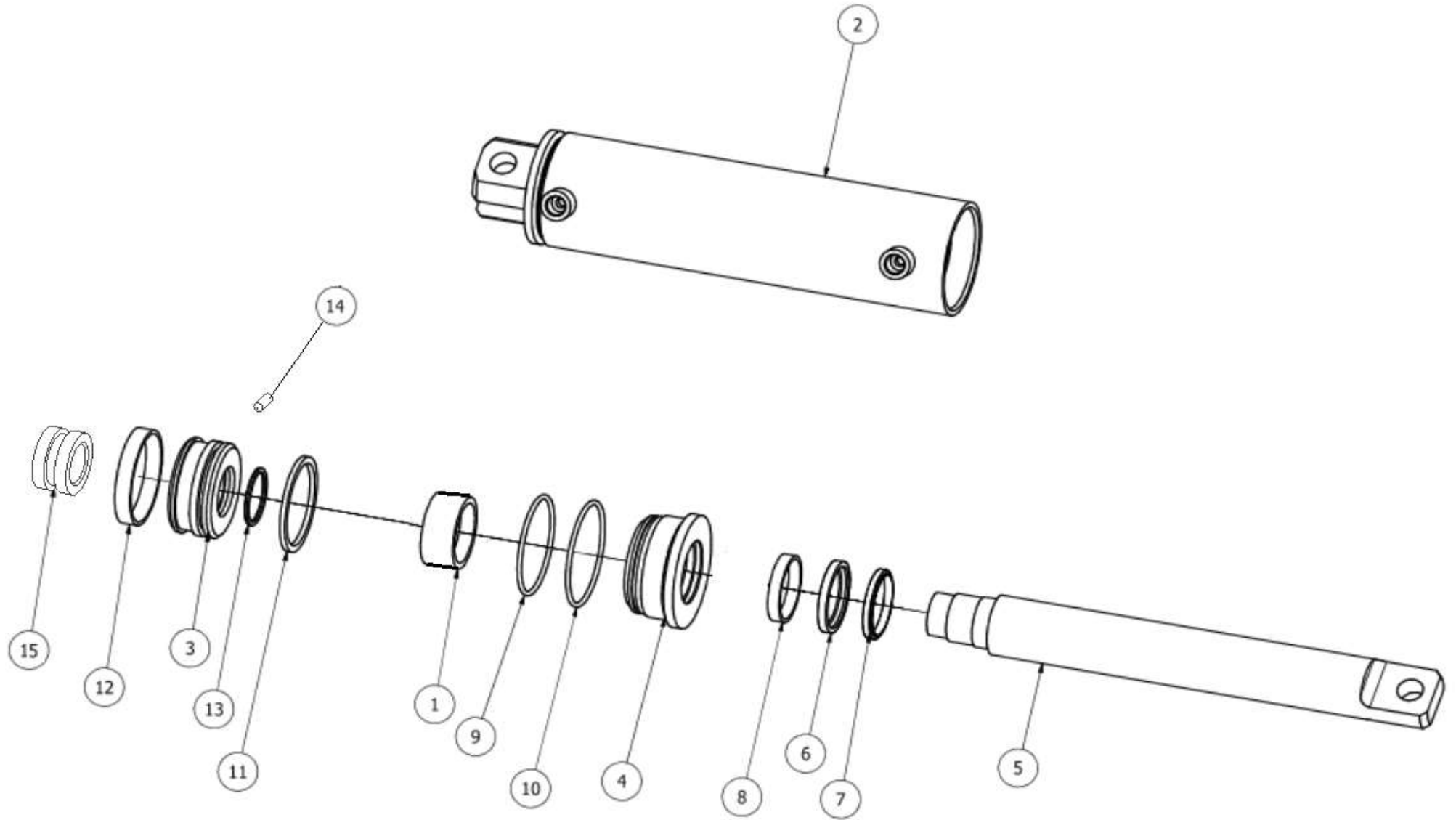
- 1401 = CAB
- 1402 = CAB GLASS
- 1403 = CAB DOORS
- 1404 = REARVIEW MIRRORS
- 1405 = STEERING COLUMN AND STEERING WHEEL

- 1406 = WINDSHIELD WIPER
- 1407 = SUPPLEMENTARY HEATER

15 ELECTRIC SYSTEM

- 1501 = CAB CONTROLS
- 1502 = FUSES AND RELAIS
- 1503 = PLC CASE
- 1504 = BATTERIES
- 1505 = VEHICLE LIGHTS

ASSEMBLY



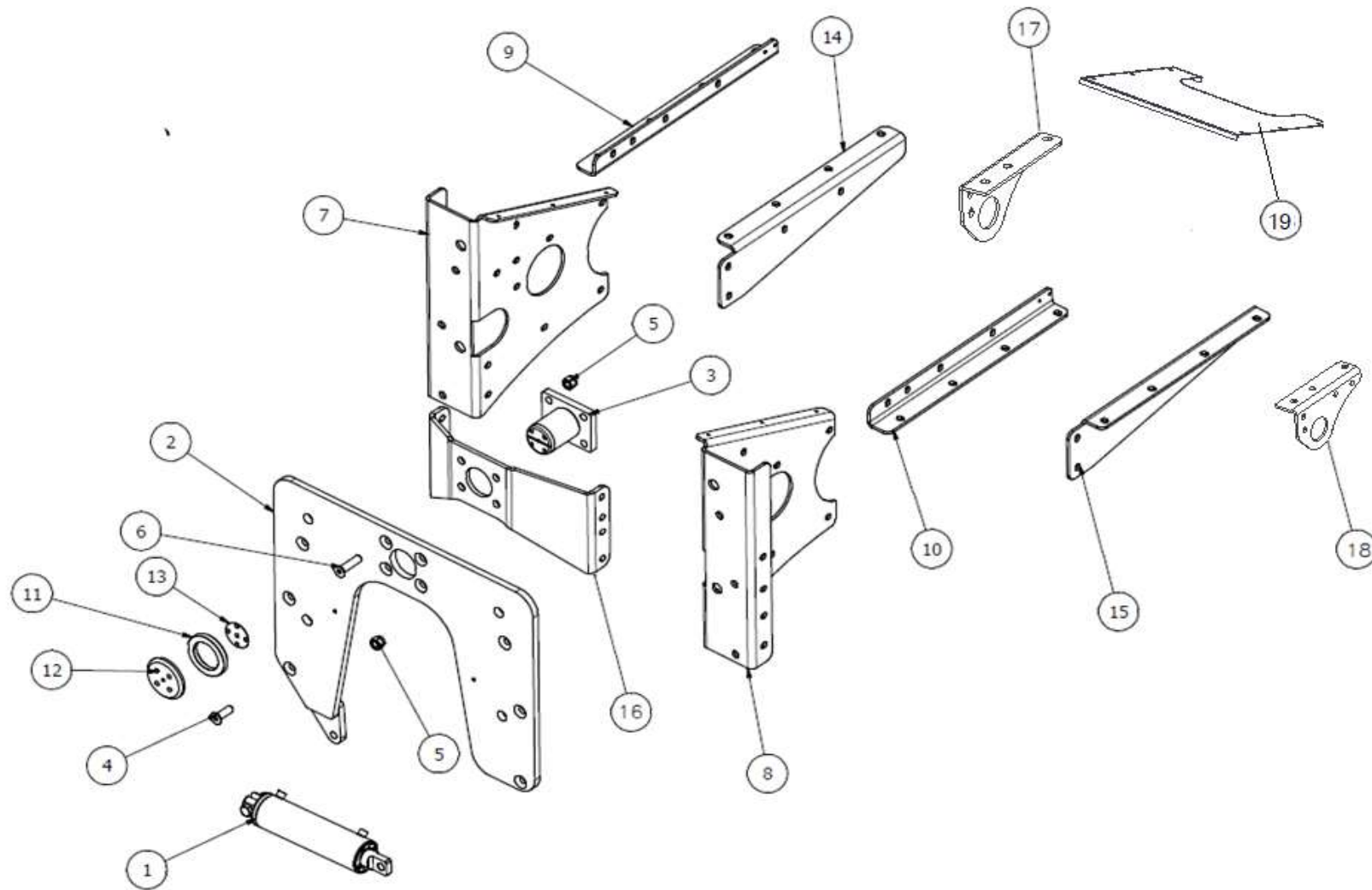
Technomatic**F90 2ST**

Assembly

0101ABLOWER HEAD ORIENTATION
CYLINDER_00109310

<u>REF.</u>	<u>PART NUMBER</u>	<u>DESCRIZIONE</u>	<u>DESCRIPTION</u>	<u>Q.TY</u>
1	2FR000132	Limitatore	Limiter	1
2	2FR000144	Canna	Cylinder barrel	1
3	2FR000155	Pistone	Piston	1
4	2FR000156	Testata anteriore	Head	1
5	2FR000127	Stelo d.50	Rod	1
6*	L00.7158	Tenuta stelo	Seal	1
7*	L00.7159	Raschiastelo	Scraper	1
8*	L00.7162	Fascia guida	Band	1
9*	L00.7163	Anello OR	OR ring	1
10*	L00.7165	Anello OR	OR ring	1
11*	L00.7160	Tenuta pistone	Piston seal	1
12*	L00.7161	Fascia guida FE80	Band	1
13*	L00.7164	Anello OR	OR ring	1
14	.00.6878	Vite	Screw 6x16	1
15	2FR000132	Limitatore	Limiter	1

* Gaskets kit P.N. **2FR000146**





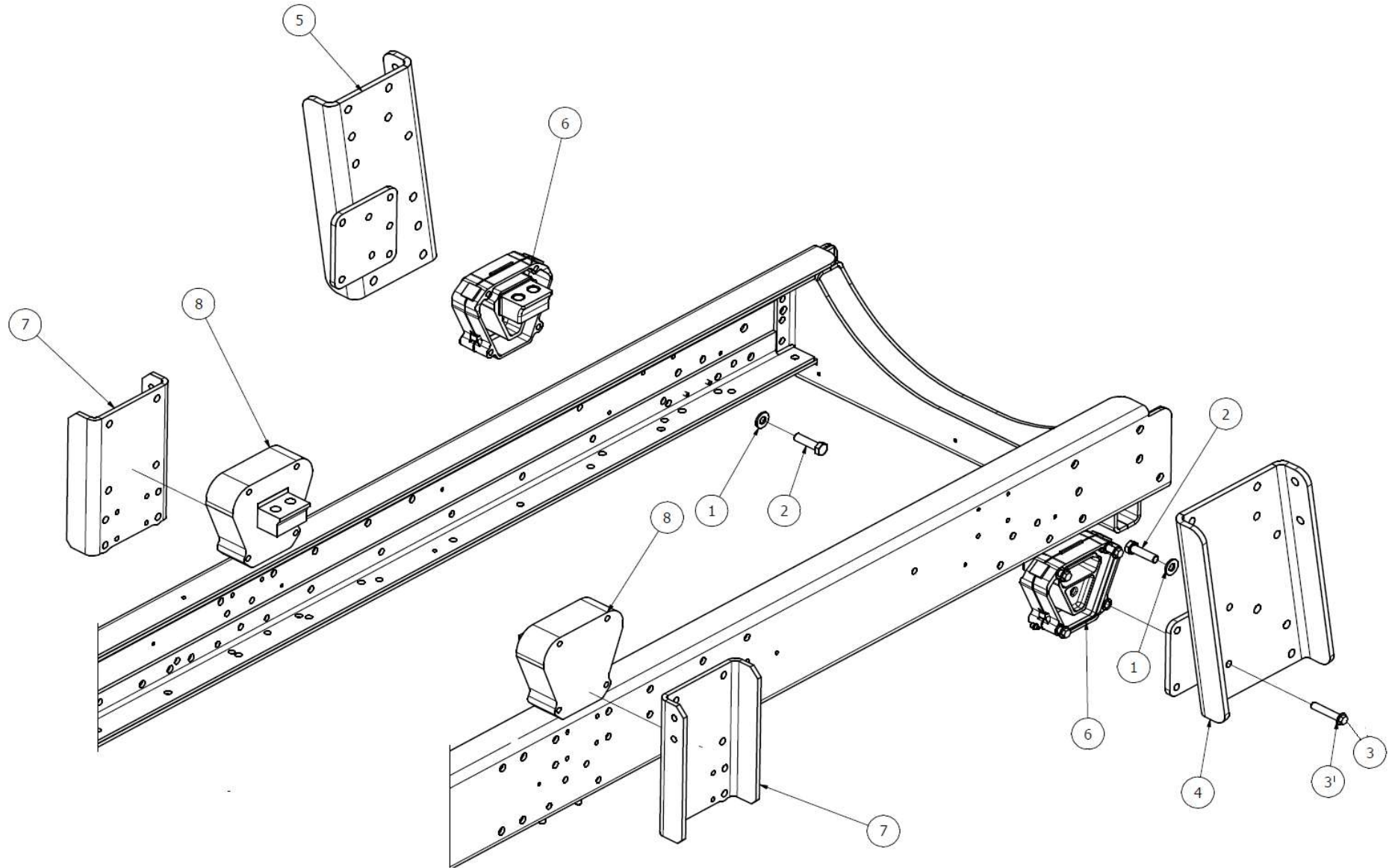
F90 2ST

Assembly

FRONT PLATE

0101B

<u>REF.</u>	<u>PART NUMBER</u>	<u>DESCRIZIONE</u>	<u>DESCRIPTION</u>	<u>Q.TY</u>
1	00109310	Complessivo cilindro orientamento fresa	Blowerhead orientiring cylinder	1
2	00104334	Piastra attacco fresa lato telaio	Plate	1
3	00104333	Perno per piastra oscillante fresa	Pin	1
4	V00.6429	Vite svasata	Screw 20x2,5x60	6
5	D00.5776	Dado esagonale	Nut 20x2,5	9
6	V00.7096	Vite svasata	Screw 20x2,5x80	4
7	00108706	Supporto piastra attacco fresa destro	Right support	1
8	00108707	Supporto sinistro	Left support	1
9	00105773	Rinforzo superiore per piastra fresa	Right upper reinforcement	1
10	00105774	Rinforzo superiore destro	Left upper reinforcement	1
11	00105057	Anello per perno carcassa fresa oscillante	Ring for pin	1
12	00105058	Supporto ingrassatore per perno carcassa fresa oscillante	Greaser support	1
13	00105059	Spessori di registro per perno carcassa fresa oscillante	Thickness	1
14	00108702	Rinforzo inferiore interno destro	Right lower reinforcement	1
15	00108703	Rinforzo inferiore interno sinistro	Left lower reinforcement	1
16	00105781	Rinforzo per perno	Pin reinforcement	1
17	00108700	Rinforzo inferiore destro	Right lower reinforcement	1
18	00108701	Rinforzo inferiore sinistro	Left lower reinforcement	1
19	00105766	Protezione	Protection	1





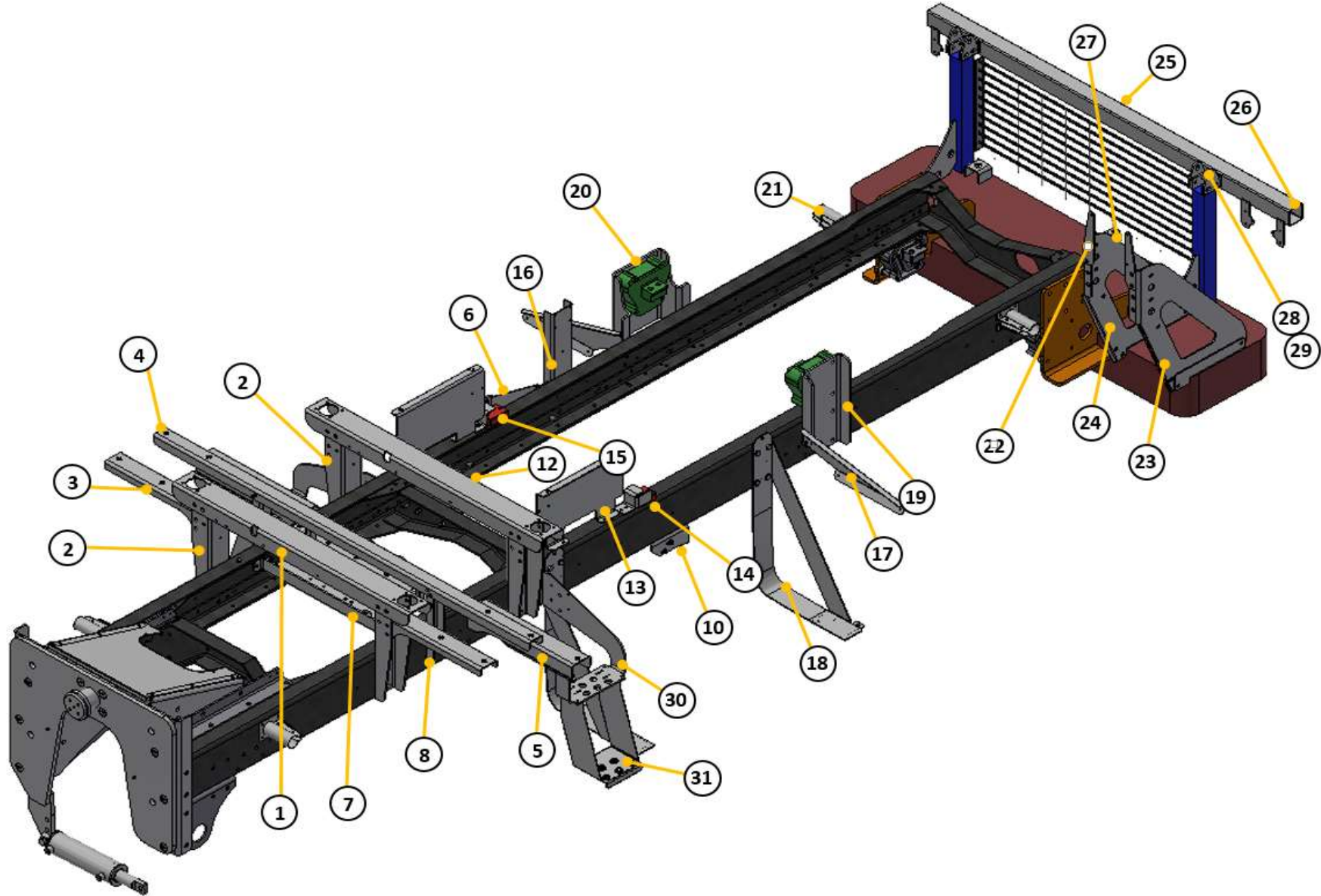
F90 2ST

Assembly

CHASSIS
BRACKETS

0101C

<u>REF.</u>	<u>PART NUMBER</u>	<u>DESCRIZIONE</u>	<u>DESCRIPTION</u>	<u>Q.TY</u>
1	R00.5676	Rondella	Washer	16
2	V4017417	Vite	Screw 16x1,5x60	16
3	V00.7111	Vite	Screw 14x2x70 12 K	8
3'	R00.5649	Rondella	Washer d.14	8
4	00112906	Supporto posteriore sinistro	Left support	1
5	00112907	Supporto posteriore destro	Right support	1
6	41219892	Tampone	Bumper	2
7	00105742	Supporto anteriore	Front support	2
8	41272825	Tampone	Bumper	2





F90 2ST

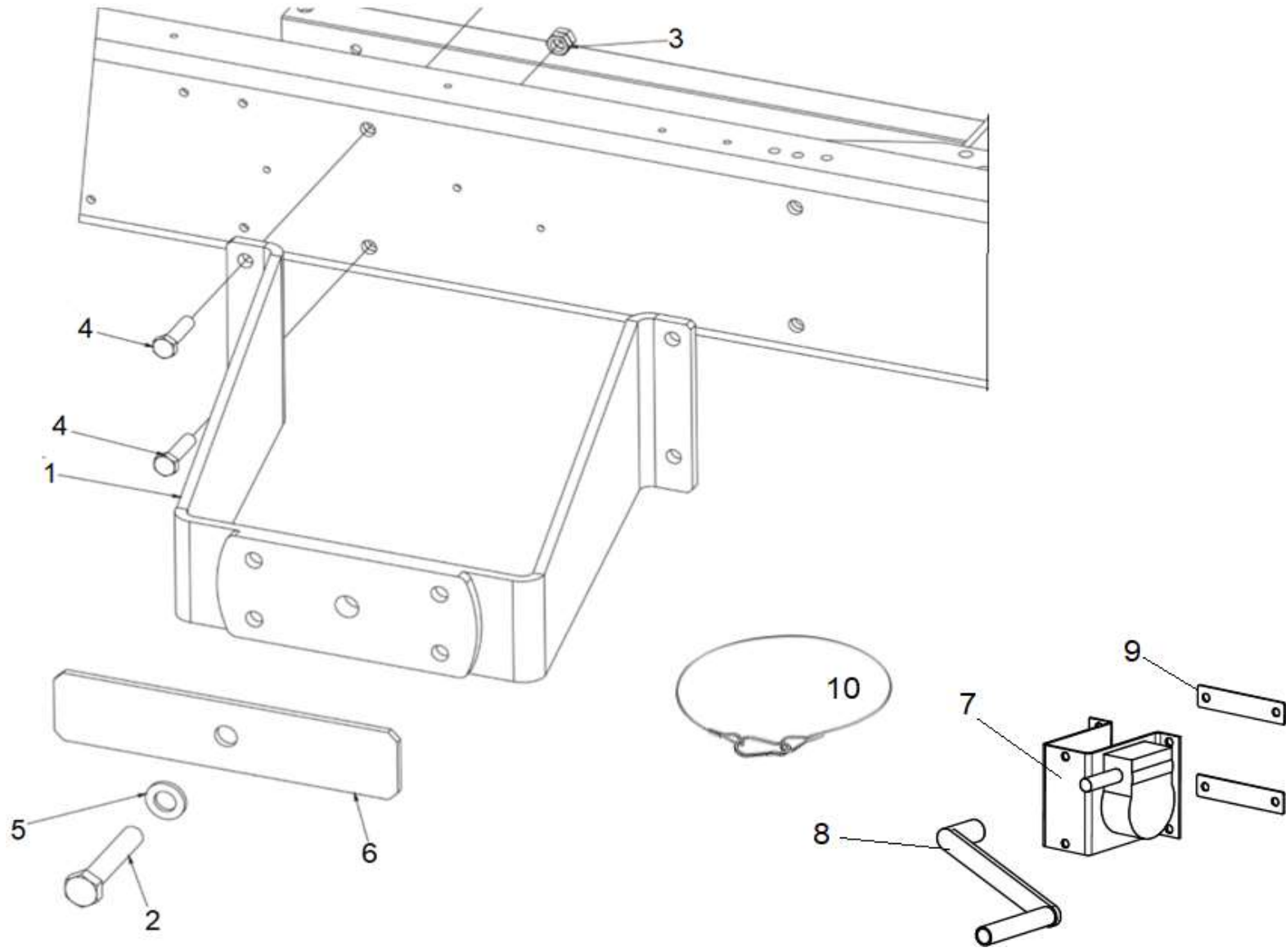
Assembly

0102

CHASSIS
BRACKETS

<u>REF.</u>	<u>PART NUMBER</u>	<u>DESCRIZIONE</u>	<u>DESCRIPTION</u>	<u>Q.TY</u>
1	00112081	Traversa supporto cabina	Cab support cross member	2
2	00112080	Supporto anteriore cabina	Cab front support	2
3	00112099	Supporto anteriore pedana	Step front support	2
4	00112077	Traversa pedane cabina	Cab step cross member	1
5	00112913	Supporto sinistro pedana	Step left support	1
	00112912	Supporto destro pedana	Step right support	1
6	00104615	Supporto ruota di scorta	Spare wheel support	1
7	00106306	Supporto accumulatori	Acumulator support	2
8	00112078	Supporto pedane cabina	Cab step support	2
10	00104669	Supporto valvole	Valves support	1
12	00102944	Supporto transfer	Transfer support	1
	V00.1051	Vite	Screw	4
	D1013452	Dado	Nut	4
13	00114111	Supporto pedana	Step bracket support	2
14	00104684	Fissaggio destro cassone	Rear body right fixing	1
	00104685	Fissaggio sinistro cassone	Rear body left fixing	1
15	.00.1611	Tampone	Bumper	2
	V00.5090	Vite	Screw	4
	D0031579	Dado	Nut	4
16	00114110	Supporto blocco servizi	Services block support	2
17	00114115	Supporto sinistro per parafango	Mudguard left support	1
	00114114	Supporto destro per parafango	Mudguard right support	1
18	00104574	Supporto serbatoio	Fuel tank support	1
	00104575	Supporto serbatoio	Fuel tank support	1
19	00114113	Supporto anteriore motore	Engine front support	2
20	00114112	Supporto pre-filtro gasolio	Fuel pre-filter support	1
21	00102151	Supporto per parafango	Mudguard support	4

22	00114195	Supporto centralina urea	Urea control unit support	2
23	00114118	Supporto destro serbatoio urea	Right urea tank support	1
	00114117	Supporto sinistro serbatoio urea	Left urea tank support	1
24	00114119	Zavorra	Ballast	1
25	00114116	Paraurti posteriore	Rear bumper	1
26	00104633	Tappo	Cap	2
27	00083372	Perno	Pin	1
28	00105753	Piastrina supporto cassone	Rear body support plate	4
29	00009984	Boccola	Bushing	2
30	00112101	Supporto sinistro gradino	Left step support	1
	00112100	Supporto destro gradino	Right step support	1
31	00104577	Gradino	Step	2





F90 2ST

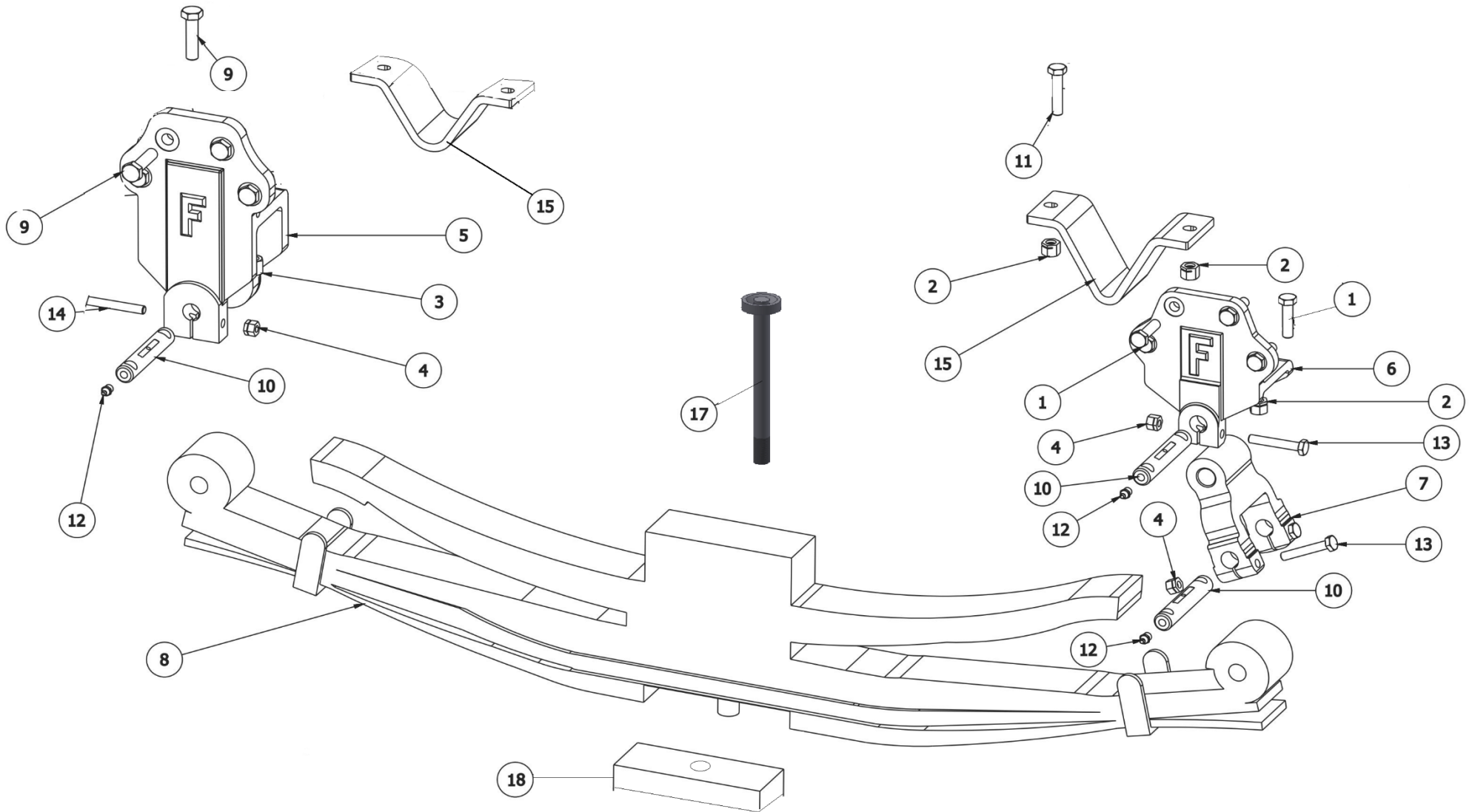
Assembly

0103

SPARE WHEEL SUPPORT

<u>REF.</u>	<u>PART NUMBER</u>	<u>DESCRIZIONE</u>	<u>DESCRIPTION</u>	<u>Q.TY</u>
1	00104615	Supporto	Support	1
2	V00.6516	Vite	screw 22x2,5x120	1
3	D1012453	Dado	Nut	4
4	V00.1060	Vite	Screw 14x1,5x55	4
5	R00.6403	Rondella	Washer D.22	1
6	00104619	Fermo ruota	Wheel fixing	1
7	00092802	Riduttore	Reducer	1
8	00092803	Maniglia	Handle	1
9	00104802	Tirante	Tie rod	2
10	00104628	Fune e moschettone	Rope with hook	1

* Spare wheel support kit S/N. **96D01251**





F90 2ST

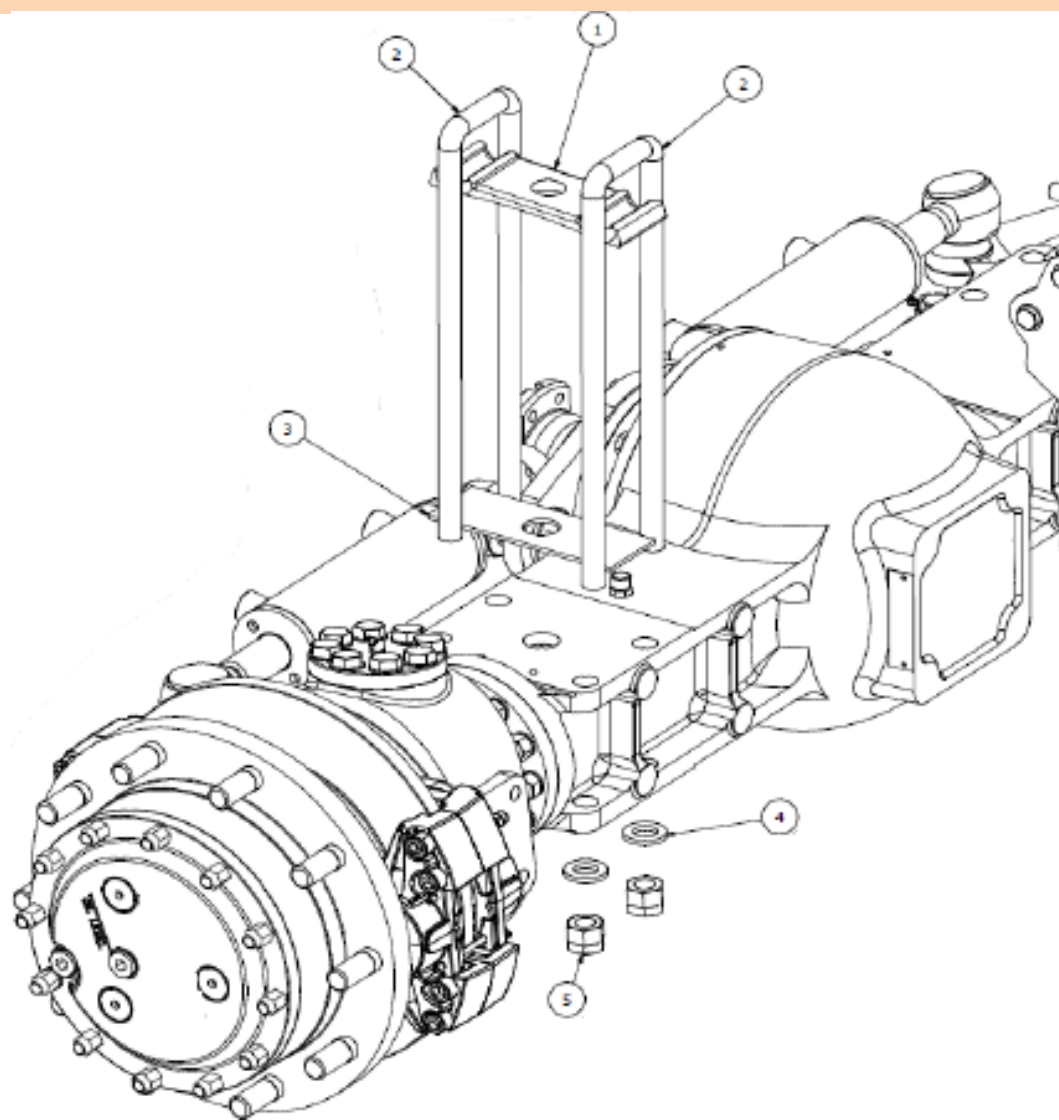
Assembly

FRONT AND REAR SUSPENSIONS

0201

<u>REF.</u>	<u>PART NUMBER</u>	<u>DESCRIZIONE</u>	<u>DESCRIPTION</u>	<u>Q.TY</u>
1	V00.1051	Vite a testa esagonale 12x1,5x50	Screw 12x1,5x50	6x4
2	D1013452	Dado D.12	Nut	10x4
3	D1012453	Dado D.14	Nut	6x4
4	D00.1125	Dado	Nut	4x4
5	00083178	Supporto anteriore balestra	Support	1x4
6	00011038	Supporto balestra (derivato da dis. 4340/A/B)	Support	1x4
7	00011046	Biscottino balestra	Shackle	1x4
8	00081295	Balestra parabolica	Leaf spring	1x4
9	V00.1060	Vite a testa esagonale 14x1,5x55	Screw 14x1,5x60	6x4
10	011047/1	Perno per biscottino	Pin	3x4
11	V00.1050	Vite a testa esagonale 12x1,5x55	Screw 12x1,5x50	4x4
12	I1011453	Ingrassatore	Grease fitting	3x4
13	V00.5130	Vite a testa esagonale	Screw	3x4
14	V00.5135	Vite a testa esagonale	Screw	1x4
15	00104864	Tampone balestrino	Bumper	2x4
17*	00105039	Pitone	Pin	1x2
18*	00104924	Spessore balestra	Thickness	1x2

* only for front suspensions



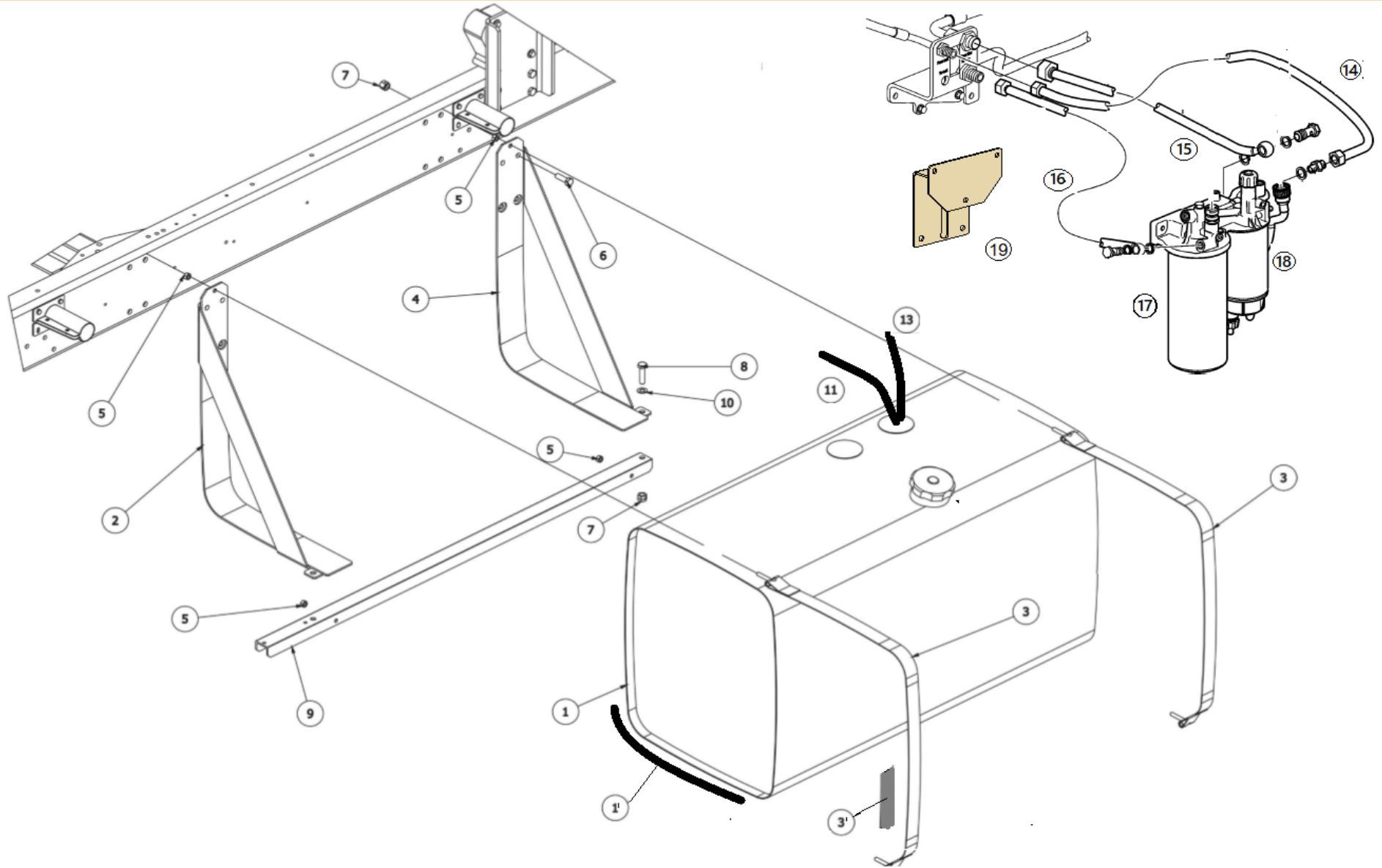
Technomatic**F90 2ST**

Assembly

0202

AXLE MOUNTING ON CHASSIS

<u>REF.</u>	<u>PART NUMBER</u>	<u>DESCRIZIONE</u>	<u>DESCRIPTION</u>	<u>Q.TY</u>
1	00011031	Piastra per balestra	Plate for leaf spring	2x2
2	00081639	Cavallotto	U-bolt	4x2
3	00091575	Spessore per scatole ponte	Axle case thickness	2x2
4	R00.6181	Rondella elastica conica	Washer	8x2
5		Dado per cavallotto	Nut	8x2





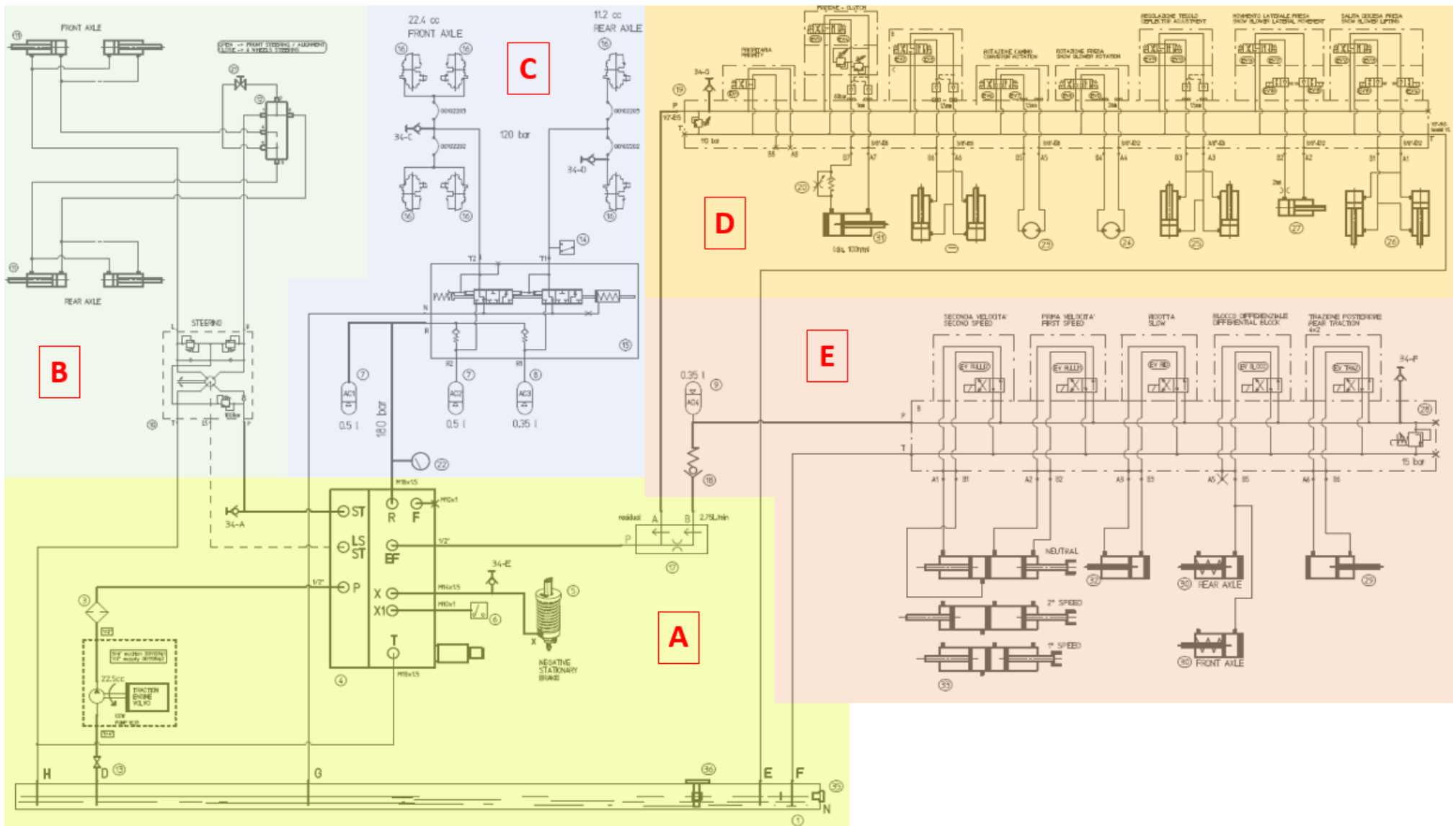
F90 2ST

Tavola / Assembly

0301

SERBATOIO E IMPIANTO GASOLIO
FUEL TANK AND SYSTEM

<u>RIF. / REF.</u>	<u>NUMERO PARTE PART NUMBER</u>	<u>DESCRIZIONE</u>	<u>DESCRIPTION</u>	<u>Q.TA' / Q.TY</u>
1	00109224	Serbatoio	Tank	1
	00111121	Pescante	Suction	1
1'	028945/1	Profilo bimescola	Profile	mt.
2	00104574	Supporto serbatoio	Tank support	1
3	00102326	Bandella	Band	2
3'	00104767	Profilo adesivo	Adesive profile	mt.
4	00104575	Supporto serbatoio	Tank support	1
5	D4017475	Dado	Nut	4
6	V00.1070	Vite	Screw	10
7	D1012453	Dado	Nut	10
8	V00.1060	Vite	Screw	2
9	00105731	Traversa	Traverse	1
10	R00.5649	Rondella	Washer	2
11	00107663	Tubo nafta	Hose	1
13	00107664	Tubo nafta	Hose	1
14	21417375	Tubo nafta	Hose	1
15	21417373	Tubo nafta	Hose	1
16	21417371	Tubo nafta	Hose	1
17	20998367	Pre-filtro gasolio	Fuel pre-filter	1
18	22480372	Filtro gasolio	Fuel filter	1
19	00107625	Supporto filtri	Filters suport	1





F90 2ST

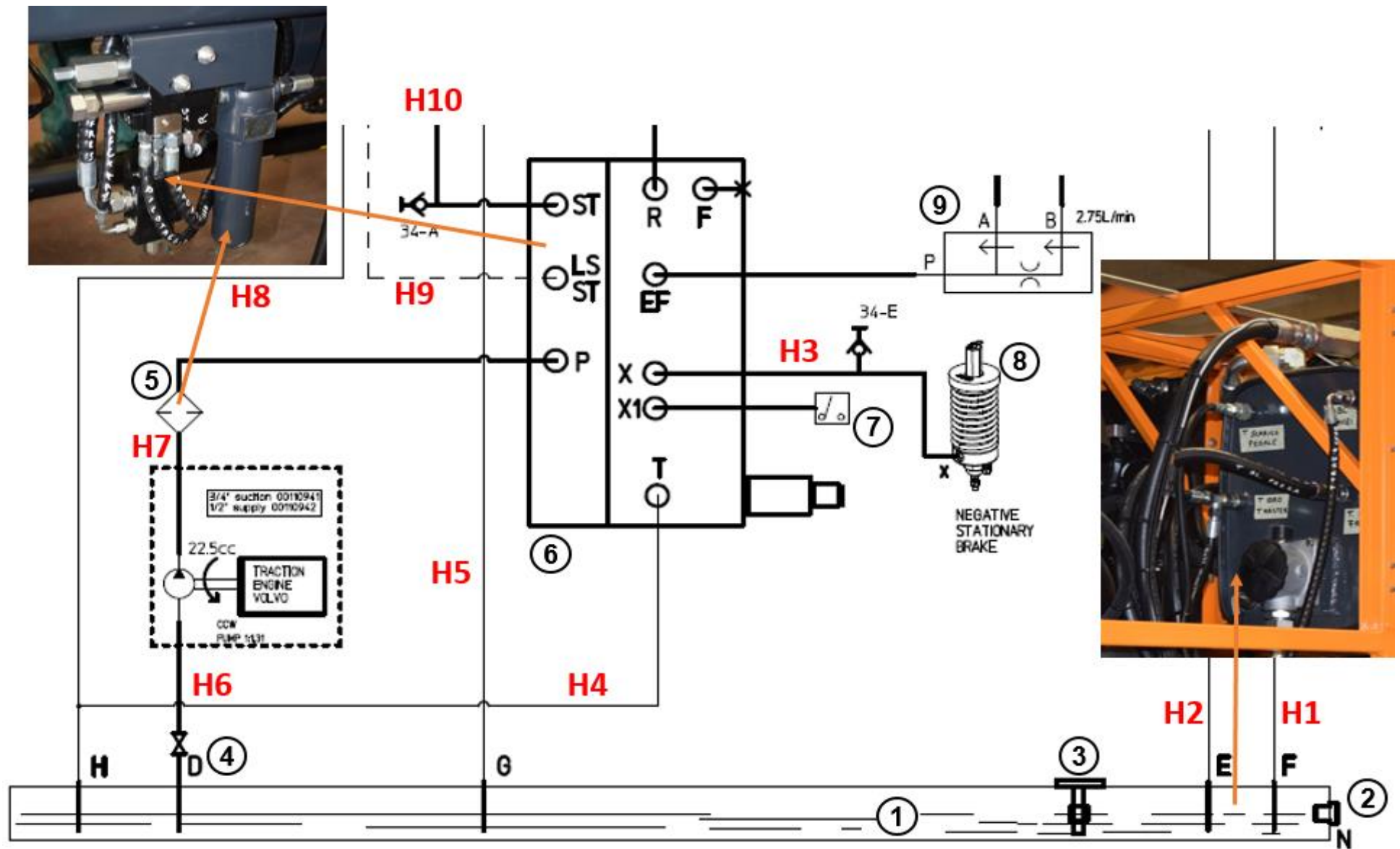
Tavola / Assembly

0501

IMPIANTO IDRAULICO

HYDRAULIC SYSTEM

<u>RIF. / REF.</u>	<u>NUMERO PARTE</u> <u>PART NUMBER</u>	<u>DESCRIZIONE</u>	<u>DESCRIPTION</u>	<u>Q.TA' / Q.TY</u>
A	TAV. 0502	Alimentazione impianto	Hydraulic system feeding	1
B	TAV. 0503	Impianto sterzo	Steering system	1
C	TAV. 0504	Impianto frenante	Bracking system	1
D	TAV. 0505	Impianto fresa	Snowblower system	1
E	TAV. 0506	Impianto servizi	Services system	1





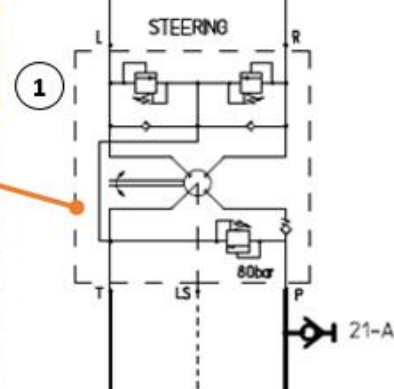
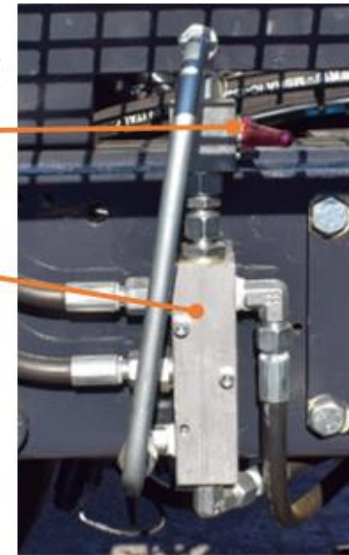
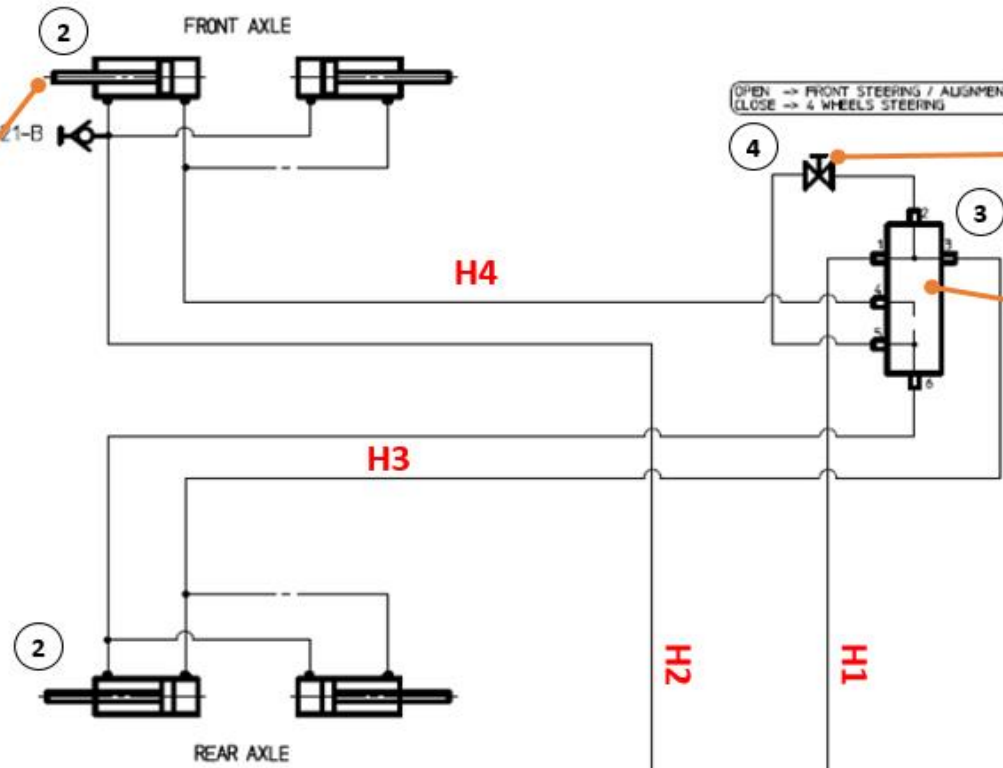
F90 2ST

Tavola / Assembly

0502

ALIMENTAZIONE IMPIANTO IDRAULICO
HYDRAULIC SYSTEM FEEDING

<u>RIF. / REF.</u>	<u>NUMERO PARTE PART NUMBER</u>	<u>DESCRIZIONE</u>	<u>DESCRIPTION</u>	<u>Q.TA' / Q.TY</u>
1	00104488	Serbatoio olio 65 L	Oil tank 65L	1
2	00092874	Scaldiglia	Heater	1
3	00104462	Sensore di temperatura	temperature sensor	1
4	.00.4340	Valvola	Valve	1
5	00081831	Filtro olio	Oil filter	1
6	00104976	Valvola rioritaria master	Master priority valve	1
7	00098879	Pressostato	Pressure switch	1
8	00081649	Cilindro freno a mano	Parking brake cylinder	1
9	00111674	Valvola prioritaria	Priority valve	1
TUBAZIONI / HOSES				
1	00107461	Tubo Kompact 3/8" L. 1200 E90 - E90 OR.0	Hose	1
2	00106017	TuboR1A 3/4" L. 3300 FGD - FGD 3/4"	Hose	1
3	00103064	Tubo 2SC 3/8" L. 2300 ED-ED D.12	Hose	1
4	00093199	Tubo Kompact 1/2" L. 1100 ED - E90 DIA.15	Hose	1
5	00108247	Tubo Kompact 3/8" L. 5200 ED - ED D12	Hose	1
6	00106015	Tubo R1A 3/4" L. 2100 FGD - FGD 3/4"	Hose	1
7	00102419	Tubo Kompact 1/2" L. 1870 ED - ED D.15	Hose	1
8	00108248	Tubo Kompact 1/2" L.3700 ED - ED D.15	Hose	1
9	00108251	Tubo Kompact 1/4" L.4100 E90 - ED D.8	Hose	1
10	00108249	Tubo Kompact 3/8" L. 3700 ED - ED D12	Hose	1

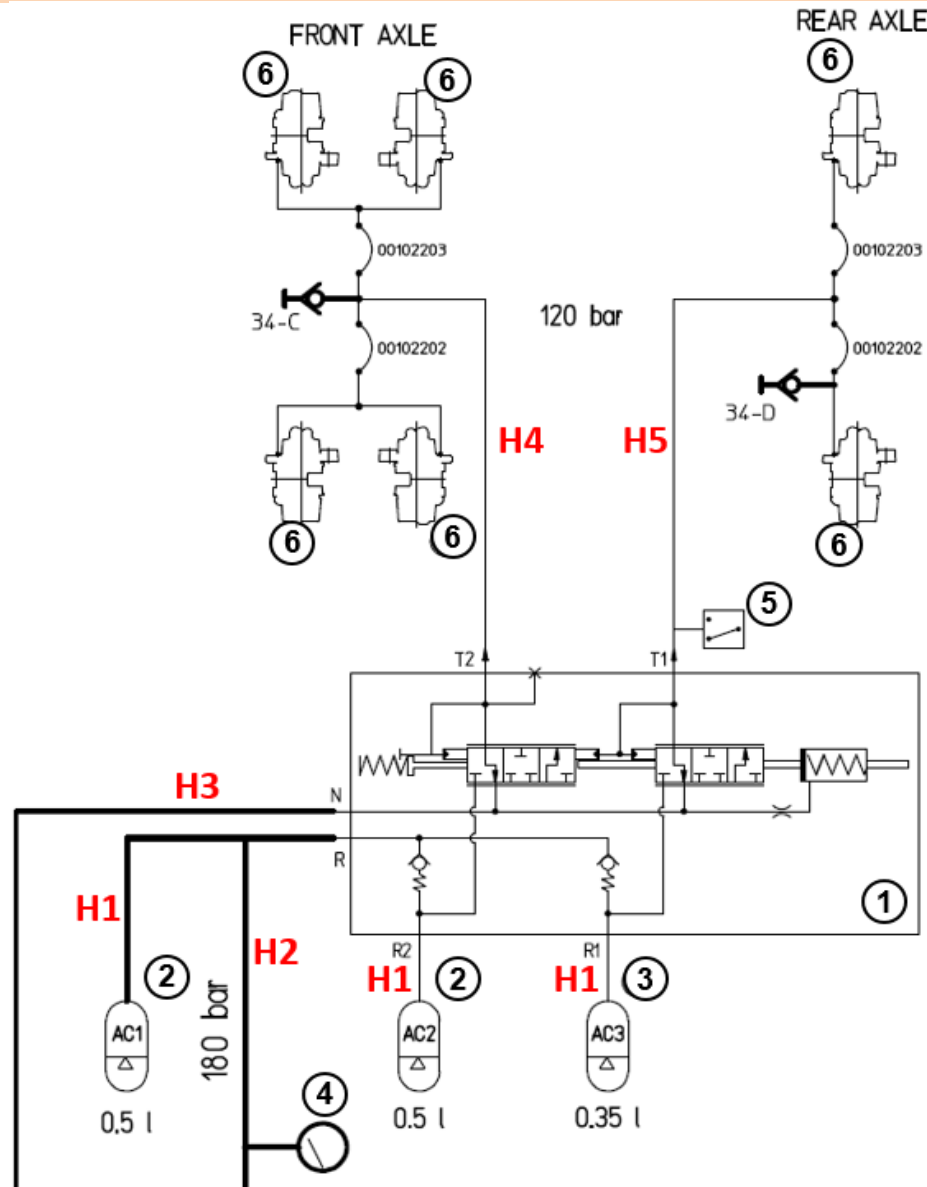


Technomatic**F90 2ST**

Tavola / Assembly

0503IMPIANTO STERZO
STEERING SYSTEM

<u>RIF. / REF.</u>	<u>NUMERO PARTE PART NUMBER</u>	<u>DESCRIZIONE</u>	<u>DESCRIPTION</u>	<u>Q.TA' / Q.TY</u>
1	00082658	Idroguida	Steering	1
2	FL00010959	Cilindri di sterzo	Steering Cylinders	4
3	00083379	Blocco allineamento ruote	Alignment block	1
4	00010952	Valvola manuale per controllo sterzo	Manual valve for steering control	1
TUBAZIONI / HOSES				
1	00091506	Tubo Kompact 3/8" L. 1700 ED. - ED. DIA.12	Hose	1
2	00112416	Tubo Kompact 3/8" L. 2000 ED D12 - OCCHIELLO 20	Hose	1
3	00112418	Tubo Kompact 3/8" L. 2500 ED D.12 - OCCHIELLO 20	Hose	2
4	00112417	Tubo Kompact 3/8" L. 1300 ED D.12 - OCCHIELLO 20	Hose	1





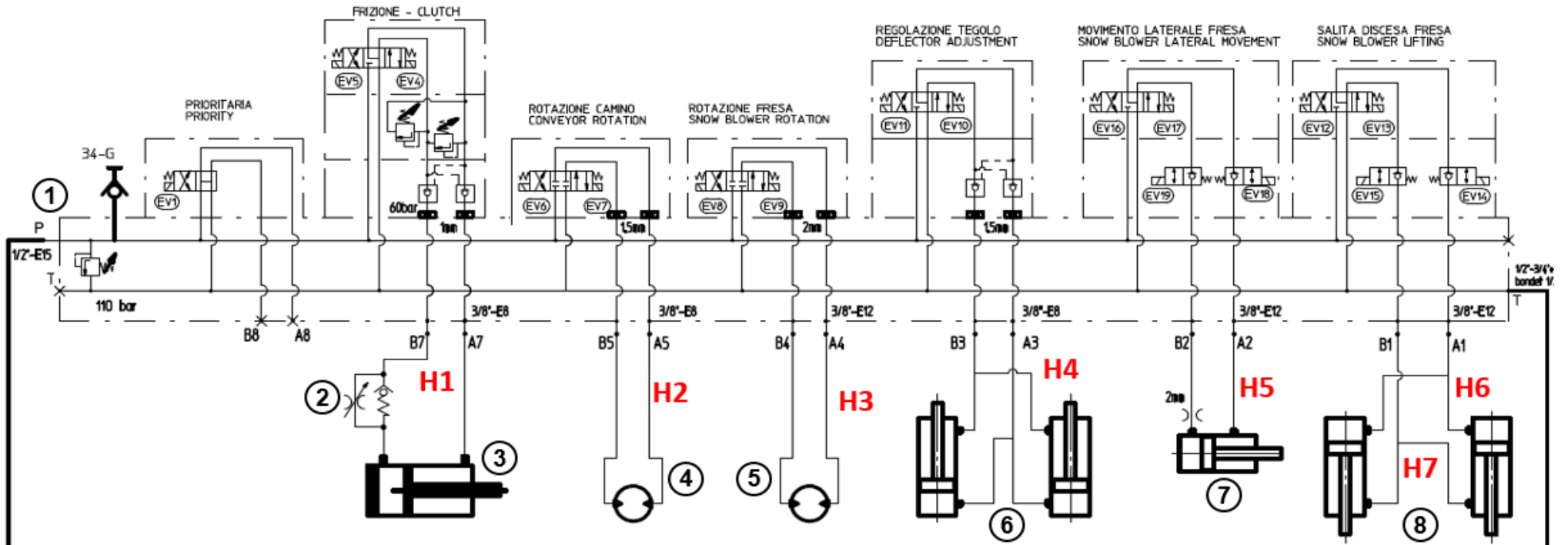
F90 2ST

Tavola / Assembly

0504

IMPIANTO FRENANTE
BRAKING SYSTEM

<u>RIF. / REF.</u>	<u>NUMERO PARTE PART NUMBER</u>	<u>DESCRIZIONE</u>	<u>DESCRIPTION</u>	<u>Q.TA' / Q.TY</u>
1	00103132	Pedale freno	Breke pedal	1
2	00109226	Accumulatore	Accumulator	2
3	00109227	Accumulatore	Accumulator	1
4	00104300	trasduttore	Trasductor	1
5	00104347	Pressostato	Brake switch	1
6	00081233	Pinze freno	brake	1
TUBAZIONI / HOSES				
1	00109247	Tubo Kompact 1/4" L. 3000 E90 - D.8	Hose	3
2	00102339	Tubo Kompact 3/8" L. 2250 E90 - ED DIA.12	Hose	1
3	00108247	Tubo Kompact 3/8" L. 5200 ED - ED DIA.12	Hose	1
4	00102447	Tubo Kompact 1/4" L. 2300 ED 8L - ED 6L	Hose	1
5	00108246	Tubo Kompact 1/4" L. 5000 ED6 - ED DD.8	Hose	1





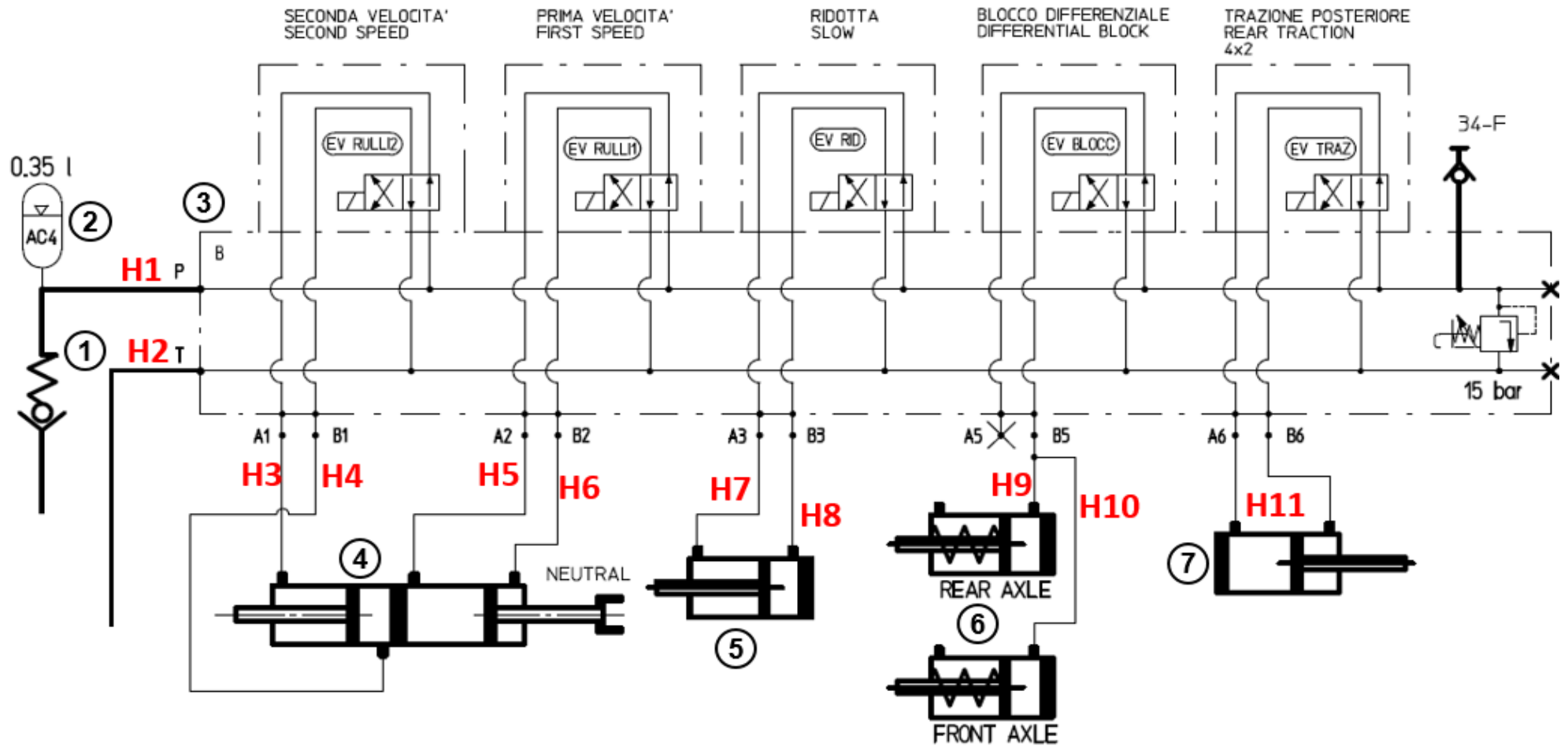
F90 2ST

Tavola / Assembly

0505

IMPIANTO FRESA
SNOWBLOWER SYSTEM

<u>RIF. / REF.</u>	<u>NUMERO PARTE PART NUMBER</u>	<u>DESCRIZIONE</u>	<u>DESCRIPTION</u>	<u>Q.TA' / Q.TY</u>
1	00112957	Blocco fresa	Snowblower block	1
2	00081196	Valvola non ritorno	Check valve	1
3	00110358	Cilindro friizione	Cluth cylinder	1
4	00011832	Motore iraulico	hydraulic engine	1
5	00083207	Motore iraulico	hydraulic engine	1
6	FL00082044	Cilindro deflettore	Deflector cylinder	1
7	FL00104385	Cilindro movimento laterale	Tilt cylinder	1
8	FL00098577	Cilindro salita e discesa fresa	Up and down snow blower	2
TUBAZIONI / HOSES				
1	00106010	Tubo Kompact 1/2" L. 1820 E.90 - ED D.15	Hose	2
2	00107536	Tubo Kompact 1/4" L. 6800 E90 - ED D.8	Hose	2
3	00107537	Tubo Kompact 3/8" L. 4750 E90 - ED DIA.12	Hose	2
4	00107538	Tubo Kompact 1/4" L. 8000 ED - ED D.8	Hose	1
	00107539	Tubo Kompact 1/4" L. 7800 ED - ED D.8	Hose	1
5	00107541	Tubo Kompact 3/8" L. 1850 ED - ED D.12	Hose	1
	00107542	Tubo Kompact 3/8" L. 2050 ED - ED D.12	Hose	1
6	00107540	Tubo Kompact 3/8" L. 2450 ED - ED D.12	Hose	2
	00107541	Tubo Kompact 3/8" L. 1850 ED - ED D.12	Hose	2





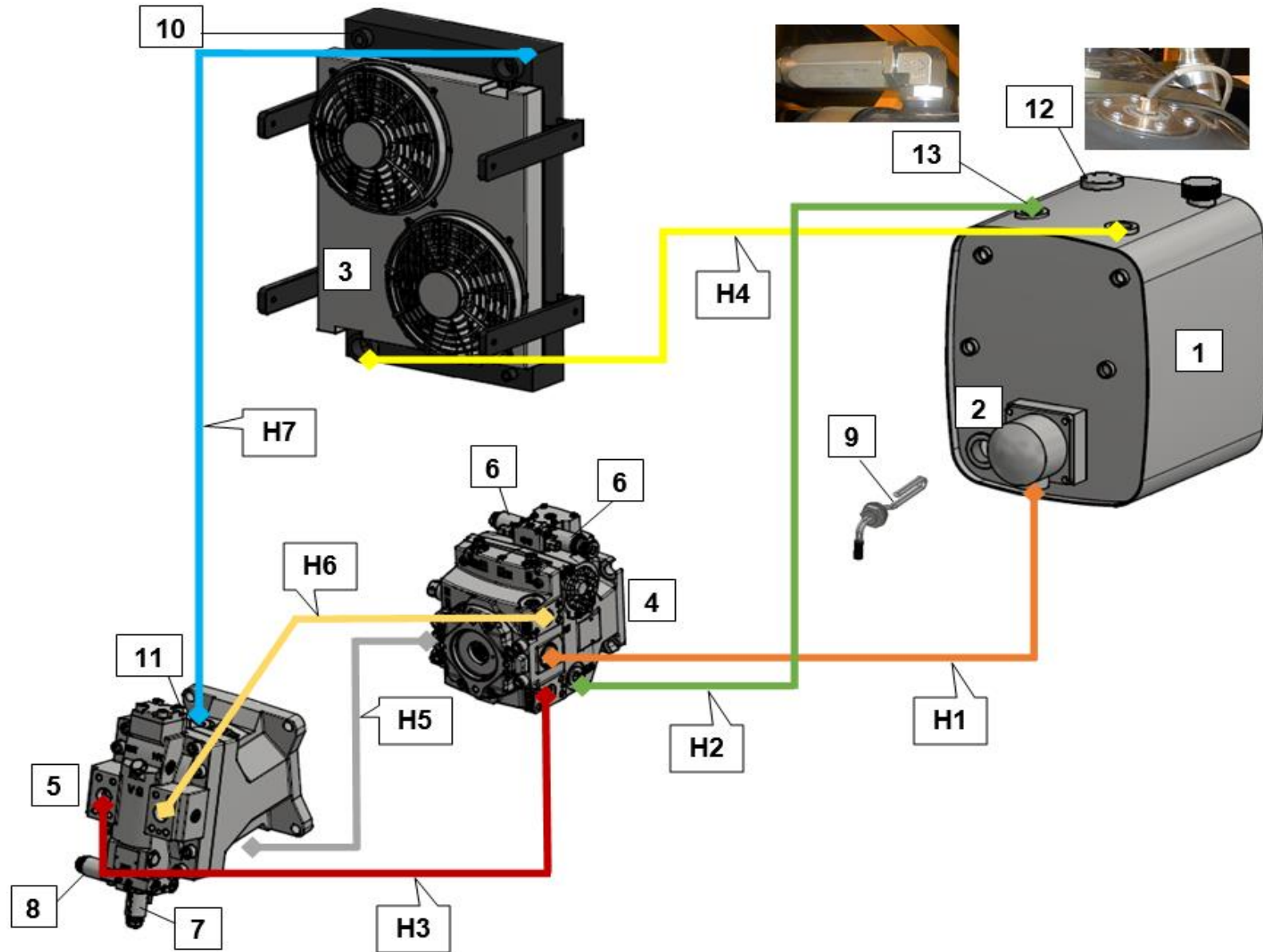
F90 2ST

Tavola / Assembly

0506

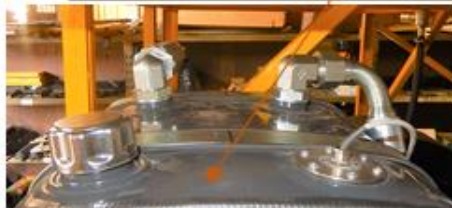
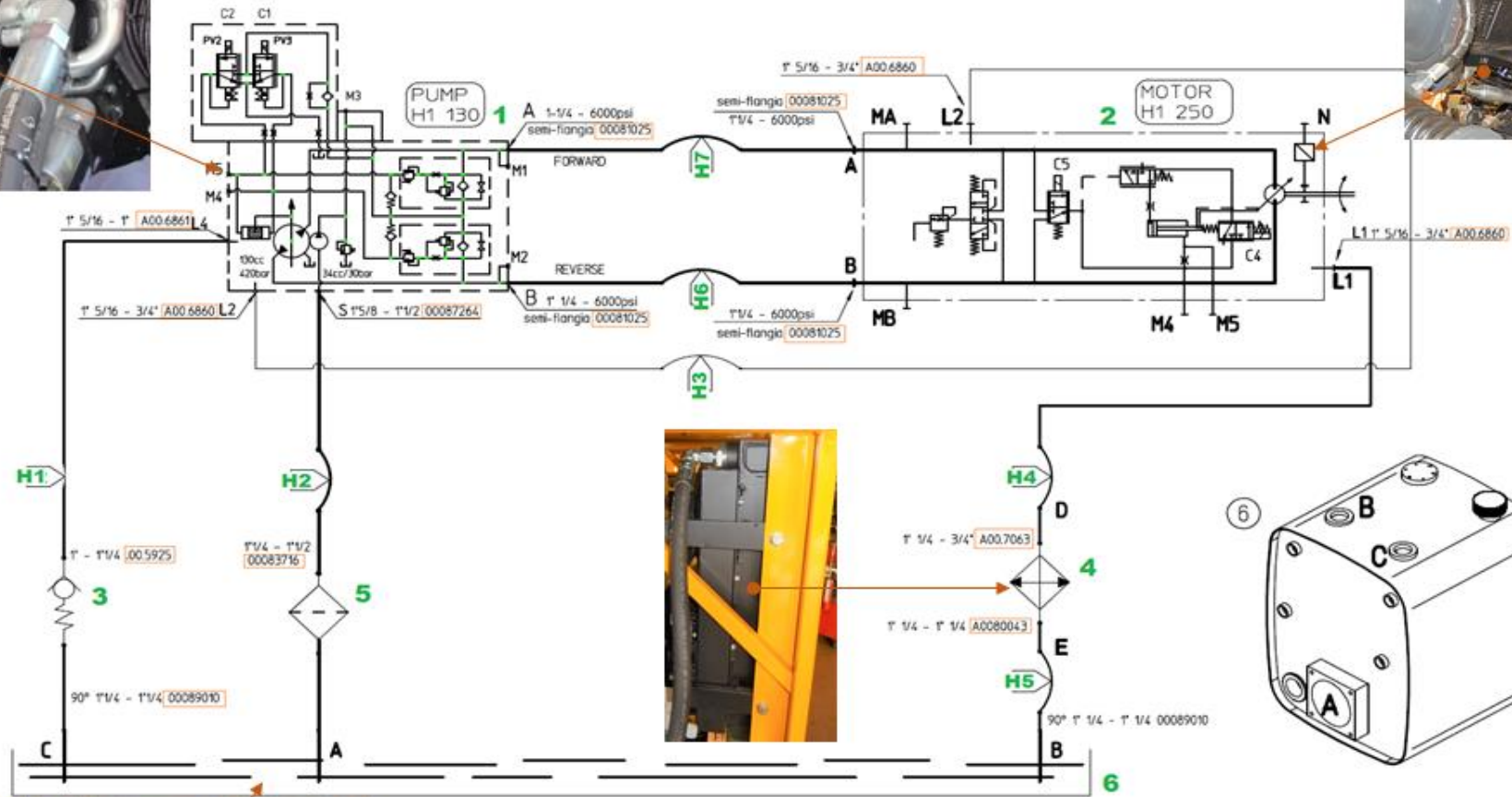
SISTEMA SERVIZI
SERVICES SYSTEM

<u>RIF. / REF.</u>	<u>NUMERO PARTE PART NUMBER</u>	<u>DESCRIZIONE</u>	<u>DESCRIPTION</u>	<u>Q.TA' / Q.TY</u>
1	00102220	Valvola unidirezionale	One-way valve	1
2	00109228	Accumulatore	Accumulator	1
3	00112958	Blocco servizi	Services block	1
4	FL00101443	Cilindro prima e seconda velocità	First and second speed cylinder	1
5	FL00101504	Cilindro ridotta	Slow cylinder	1
6	010640/5	Cilindro bloccaggio differenziale	Differential block cylinder	1
	FL00101505	Cilindro trazione	Traction cylinder	2
TUBAZIONI / HOSE				
1	00106007	Tubo Kompact 1/4" L. 1700 E90 - E90 D.8	Hose	1
2	00107461	Tubo Kompact 3/8" L. 1200 E90 - E90 OR.0	Hose	1
3	00106006	Tubo Kompact 1/4" L. 480 E90 - ED D.6	Hose	1
4	00106005	Tubo Kompact 1/4" L. 410 E90 - ED D.6	Hose	1
5	00104783	Tubo Kompact 1/4" L.550 E90 - ED D.6	Hose	1
6	00106004	Tubo Kompact 1/4" L.450 E90 - ED D.6	Hose	1
7	00106002	Tubo Kompact 1/4" L.1000 ED - ED D.6	Hose	1
8	00106003	Tubo Kompact 1/4" L.930 ED - ED D.6	Hose	1
9	00104770	Tubo Kompact 1/4" L.2700 ED90 D.6 - OCCH. D.12 OR.0	Hose	1
10	00102236	Tubo Kompact 1/4" L.2350 ED90 D.6 - OCCH. D.12	Hose	1
11	00105999	Tubo Kompact 1/4" L.1560 ED - ED D.6	Hose	2



Technomatic**F90 2ST****Tavola / Assembly****0507**IMPIANTO TRAZIONE IDROSTATICA
HYDROSTATIC TRACTION SYSTEM

<u>RIF. / REF.</u>	<u>NUMERO PARTE PART NUMBER</u>	<u>DESCRIZIONE</u>	<u>DESCRIPTION</u>	<u>Q.TA' / Q.TY</u>
1	00104488	Serbatoio olio 65 l	Oil tank	1
2	00099791	Filtro serbatoio olio	Oil tank filter	1
	00099792	Cartuccia filtro	Oil filter cartridge	1
	V4017419	Vite di fissaggio	Fixing screw 10x1,5x30	4
	R4327242	Rondella grower	Washer	4
	00104551	Scambiatore completo (+ termost.(10) e racc.)	Complete exchanger (with thermost.(10) and fittings)	1
3	00080560	Scambiatore di calore	Exchanger	1
4	00104275	Pompa a cilindrata variabile	Variable displacement pump	1
5	00104281	Motore	Motor	1
6	-	Elettrovalvola	Solenoid valve	2
7	-	Elettrovalvola	Solenoid valve	1
8	-	Elettrovalvola	Solenoid valve	1
9	00092874	Scaldiglia serbatoio	Heater	1
10	00089463	Termostato	Thermostat	1
11	00104423	Sensore di velocità	Speed sensor	1
	-	Connettore a 6 spinotti per sensore di velocità	6 pin speed sensor connector	1
12	00104462	Sonda di livello	Level sensor	1
	00010046	Guarnizione	Gasket	1
13	00085972	Valvola di non ritorno 1/4"	One-way valve 1/4"	1
TUBAZIONI / HOSES				
H1	00104749	Tubo	Hose R41-1/2" L.880 FG90-FG90 1-1/2" OR.270	1
H2	00104751	Tubo	Hose 1" R1 L.1250 FG90-FGD 1"	1
H3	00111111	Tubo	Hose 1-1/4" R15 L.1290 FGD 1-1/4" FL90 1-1/4"	1
H4	00111114	Tubo	Hose RACC. SAE 100 R1A 1-1/4" L.1600 FGD+FGD	1
H5	00104752	Tubo	Hose 3/4" R1 L.1700 FGD 90-FG 3/4"	1
H6	00104801	Tubo	Hose 1-1/4" R15 L.1290 FGD 1-1/4" FL90 1-1/4"	1
H7	00106018	Tubo	Hose 3/4" R1 L.3500 FG90-FGD 3/4"	1





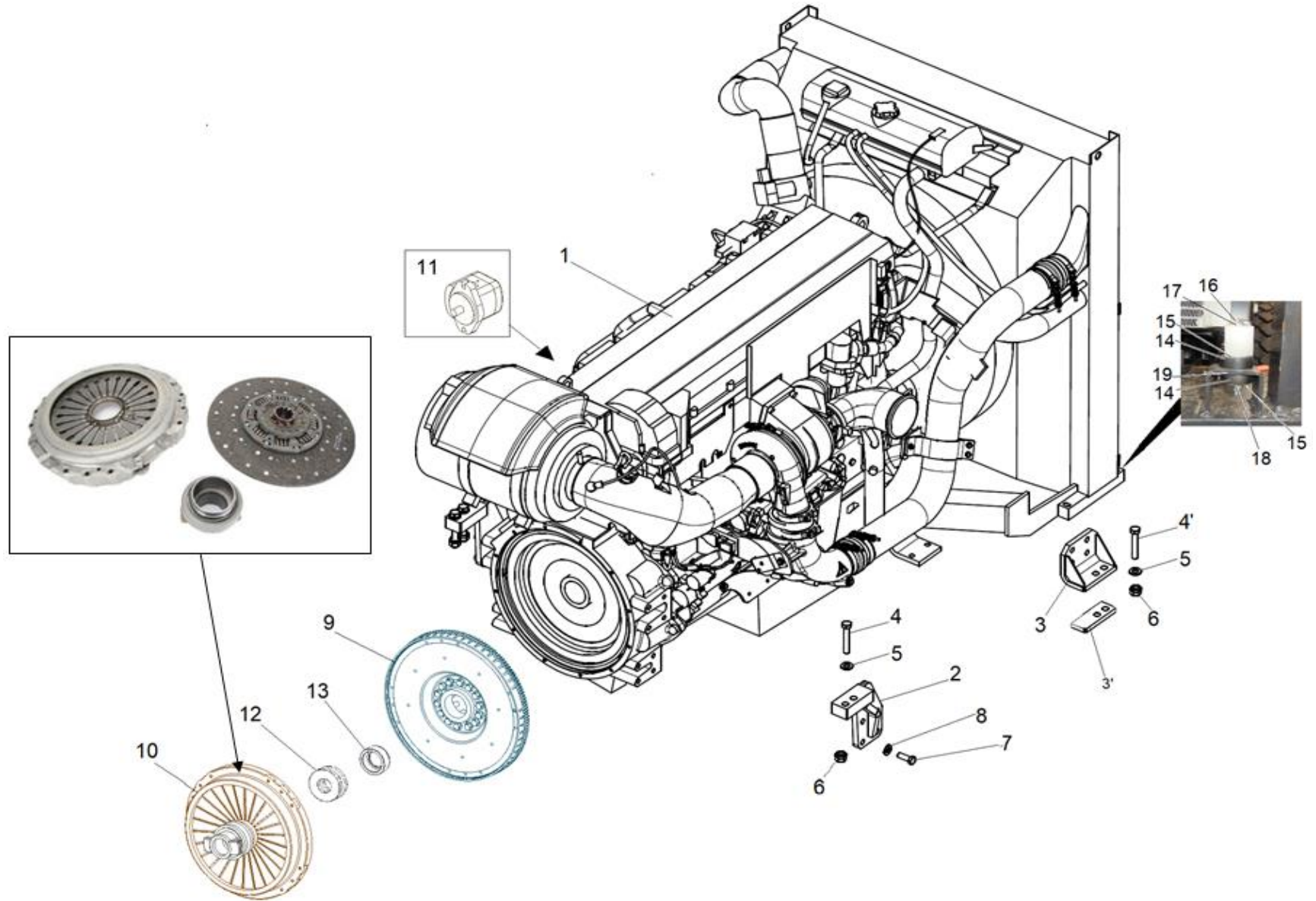
F90 2ST

Tavola / Assembly

0501

IMPIANTO IDROSTATICO
HYDROSTATIC SYSTEM

<u>RIF. / REF.</u>	<u>NUMERO PARTE PART NUMBER</u>	<u>DESCRIZIONE</u>	<u>DESCRIPTION</u>	<u>Q.TA' / Q.TY</u>
1	00104275	Pompa	Pump	1
2	00104281	Motore	Motor	1
3	00085972	Valvola di non ritorno	One-way valve	1
4	00080560	Scambiatore	Exchanger	1
5	00099791	Filtro	Filter	1
6	00104488	Serbatoio olio	Oil tank 65 l	1
<i>Tubazioni - Hoses</i>				
H1	00104751	Tubo 1" L.1250 FG90-FGD	Hose	1
H2	00104749	Tubo 1 1/2" L.880 FG90-FG90	Hose	1
H3	00104752	Tubo 3/4" L.1700 FG90-FG	Hose	1
H4	00106018	Tubo 3/4" L.3500 FG90-FGD	Hose	1
H5	00105900	Tubo 1-1/4" L.1350 FG90-FG90	Hose	1
H6	00104776	Tubo 1-1/4" L.1040 FGD-FL90	Hose	1
H7	00104777	Tubo 1-1/4" L.1120	Hose	1





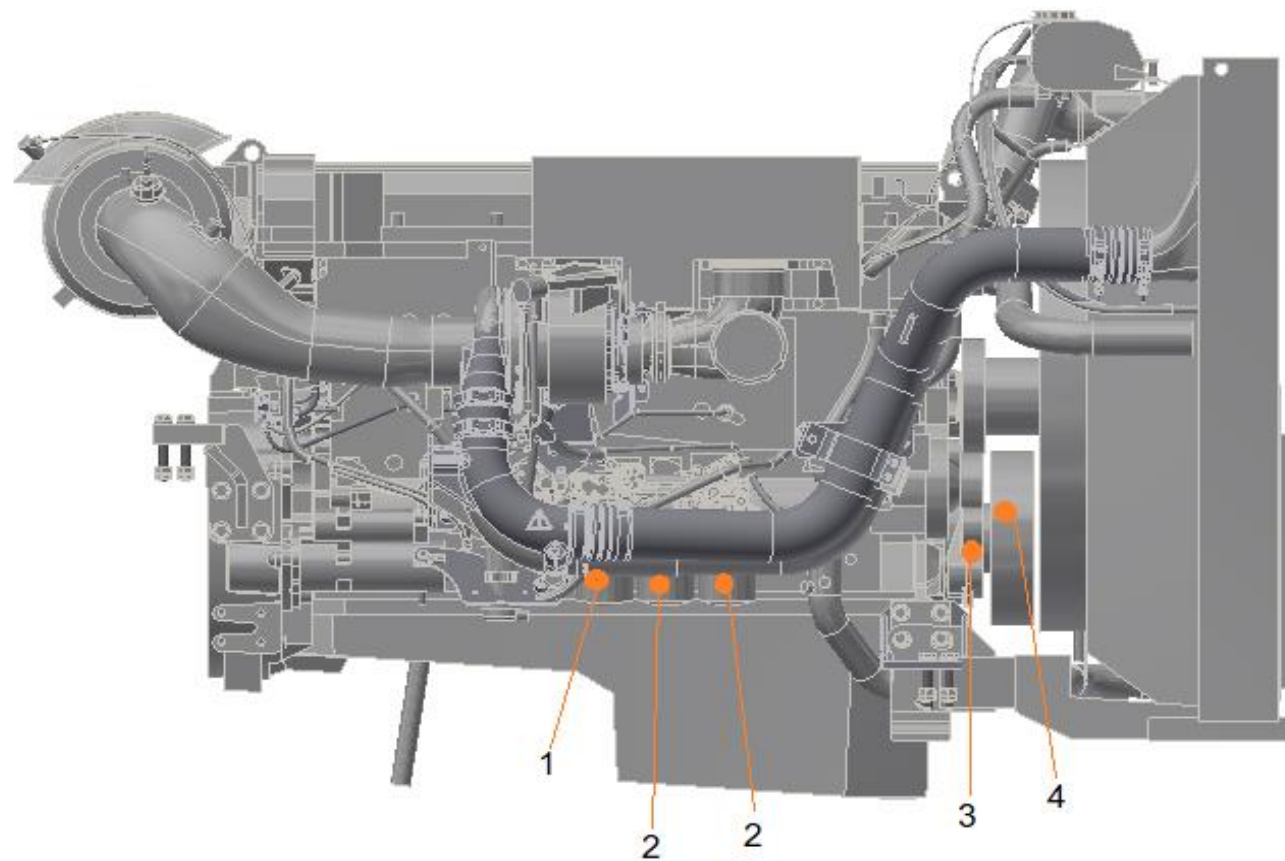
F90 2ST

Tavola / Assembly

0601

SUPPORTI E ACCESSORI MOTORE
ENGINE SUPPORTS AND ACCESSORIES

<u>RIF. / REF.</u>	<u>NUMERO PARTE PART NUMBER</u>	<u>DESCRIZIONE</u>	<u>DESCRIPTION</u>	<u>Q.TA' / Q.TY</u>
1	00112921	Motore	Engine	1
2	00105746	Supporto anteriore destro	Right front support	1
	00105745	Supporto anteriore sinistro	Left front support	1
3	00105744	Supporto posteriore destro	Rear right support	1
	00105743	Supporto posteriore sinistro	Rear left support	1
3'	00109308	Spessore	Thickness	2
4	V00.5637	Vite	Screw	4
4'	V0002826	Vite	Screw	4
5	R00.5652	Rondella	Washer	8
6	D4017478	Dado per colonnetta	Nut	8
7	V00.6779	Vite	Screw	16
8	R00.5676	Rondella	Washer	16
9	00105799	Volano	Fly wheel	1
10	00106343	Kit frizione	Nut	1
11	00112956	Pompa	Pump	1
12	X06305RS	Cuscinetto	Bearing	1
13	00105727	Anello per cuscinetto	Ring for bearing	1
14	00095587	Tampone shore 50	Bumper	8
15	R00.6103	Rondella grembialino 14x56	Washer	8
16	V00.5182	Vite	Screw	4
17	R00.5676	Rondella d.16	Washer	4
18	D0002568	Dado	Nut	4
19	00091047	Boccola distanziale	Spacer bushing	6





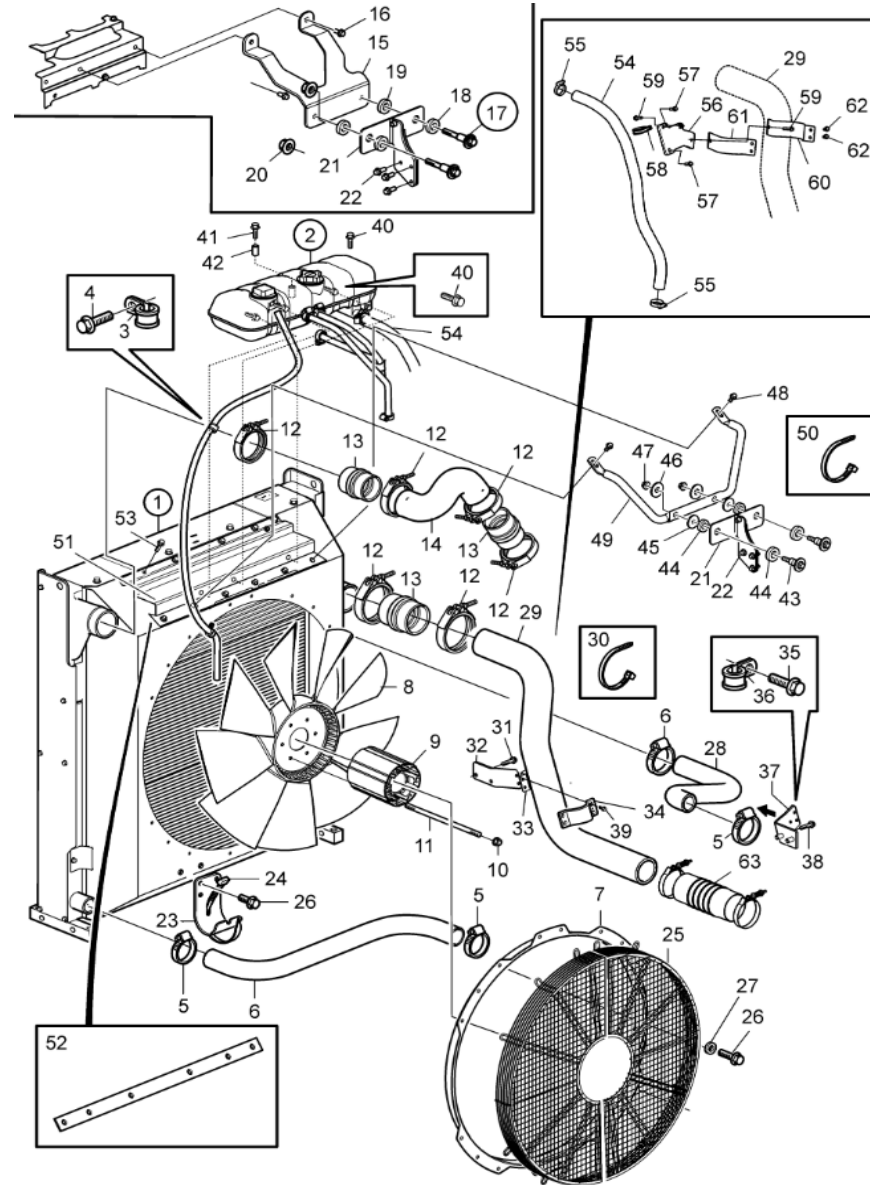
F90 2ST

Tavola / Assembly

0602

ACCESSORI MOTORE
ENGINE ACCESSORIES

<u>RIF. / REF.</u>	<u>NUMERO PARTE PART NUMBER</u>	<u>DESCRIZIONE</u>	<u>DESCRIPTION</u>	<u>Q.TA' / Q.TY</u>
1	23075367	Filtro olio	Oil filter	1
2	23075366	Filtro olio	Oil filter	2
3	3819398	Cinghia motore	Engine belt	1
4	20430376	Cinghia alternatore	Alternator belt	1





F90 2ST

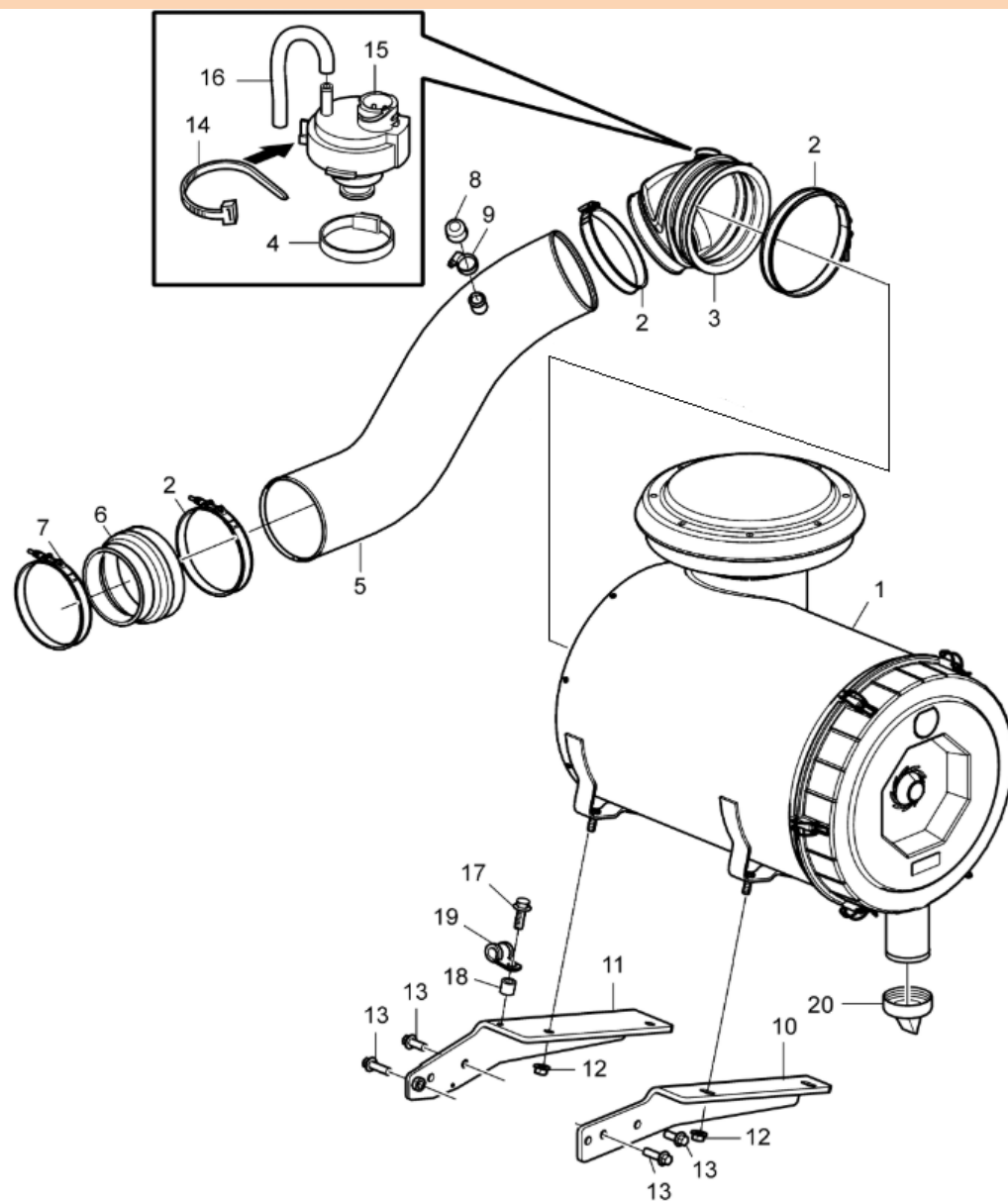
Tavola / Assembly

0603

RADIATORE
RADIATOR

<u>RIF. / REF.</u>	<u>NUMERO PARTE PART NUMBER</u>	<u>DESCRIZIONE</u>	<u>DESCRIPTION</u>	<u>Q.TA' / Q.TY</u>
1	23122125	Radiatore	Radiator	1
2	1674916	Vaschetta espansione	Expansion tank	1
3	942810	Fascetta	Clamp	2
4	984734	Vite	Screw	2
5	994565	Fascetta	Clamp	4
6	2188852	Tubo flessibile	Hose	1
7	3827612	Anello ventola	Fan ring	1
8	3828963	Ventola (aspirante)	Fan (suction type)	1
	3828964	Ventola (soffiante)	Fan (pushing type)	1
9	3829537	Mozzo ventola (soffiante)	Fan hub (pushing type)	1
	21418129	Mozzo ventola (aspirante)	Fan hub (suction type)	1
10	990941	Dado	Nut	6
11	130204	Prigioniero (soffiante)	Stud (pushing type)	6
	981952	Prigioniero (aspirante)	Stud (suction pipe)	6
12	20435760	Fascetta	Clamp	8
13	3838792	Manicotto	Sleeve	3
14	22185615	Tubo	Pipe	1
15	2254256	Staffa	Bracket	1
16	984752	Vite	Screw	2
17	2248137	Adattatore	Fitting	2
18	866857	Boccola gomma	Rubber bushing	2
19	866857	Boccola gomma	Rubber bushing	2
20	990942	Dado	Nut	2
21	3594409	Staffa	Bracket	1
22	984753	Vite	Screw	3
23	22036724	Staffa	Bracket	1
24	980464	Tirante cavo	Tie cable	1

25	22118112	Protezione	Fan guard	1
26	984734	Vite	Screw	1
27	976944	Rondella	Washer	1
28	21888849	Tubo	Pipe	1
29	22496578	Tubo	Pipe	1
30	948211	Tirante cavo	Cable tie	2
31	990810	Vite	Screw	2
32	22757119	Staffa	Bracket	1
33	\	Staffa	Bracket	2
34	22285230	Staffa	Bracket	1
35	984734	Vite	Screw	3
36	941976	Fascetta	Clamp	1
37	\	Staffa	Bracket	1
38	984739	Vite	Screw	2
39	990813	Vite	Screw	2
40	984733	Vite	Screw	4
41	994386	Vite	Screw	1
42	848694	Manicotto	Sleeve	1
43	22488137	Adattatore	Fitting	1
44	866857	Boccola gomma	Rubber bushing	4
45	22430803	Manicotto	Sleeve	1
46	60113331	Rondella	Washer	2
47	990942	Dado	Nut	2
48	969445	Vite	Screw	2
49	23109845	Barretta	Stay	1
50	980464	Fascetta	Clamp	5
51	23276869	Staffa	Bracket	1
52	23276871	Staffa	Bracket	1
53	984752	Vite	screw	10
54	22198506	Tubo	hose	1
63	3838792	Tubo	Hose	1

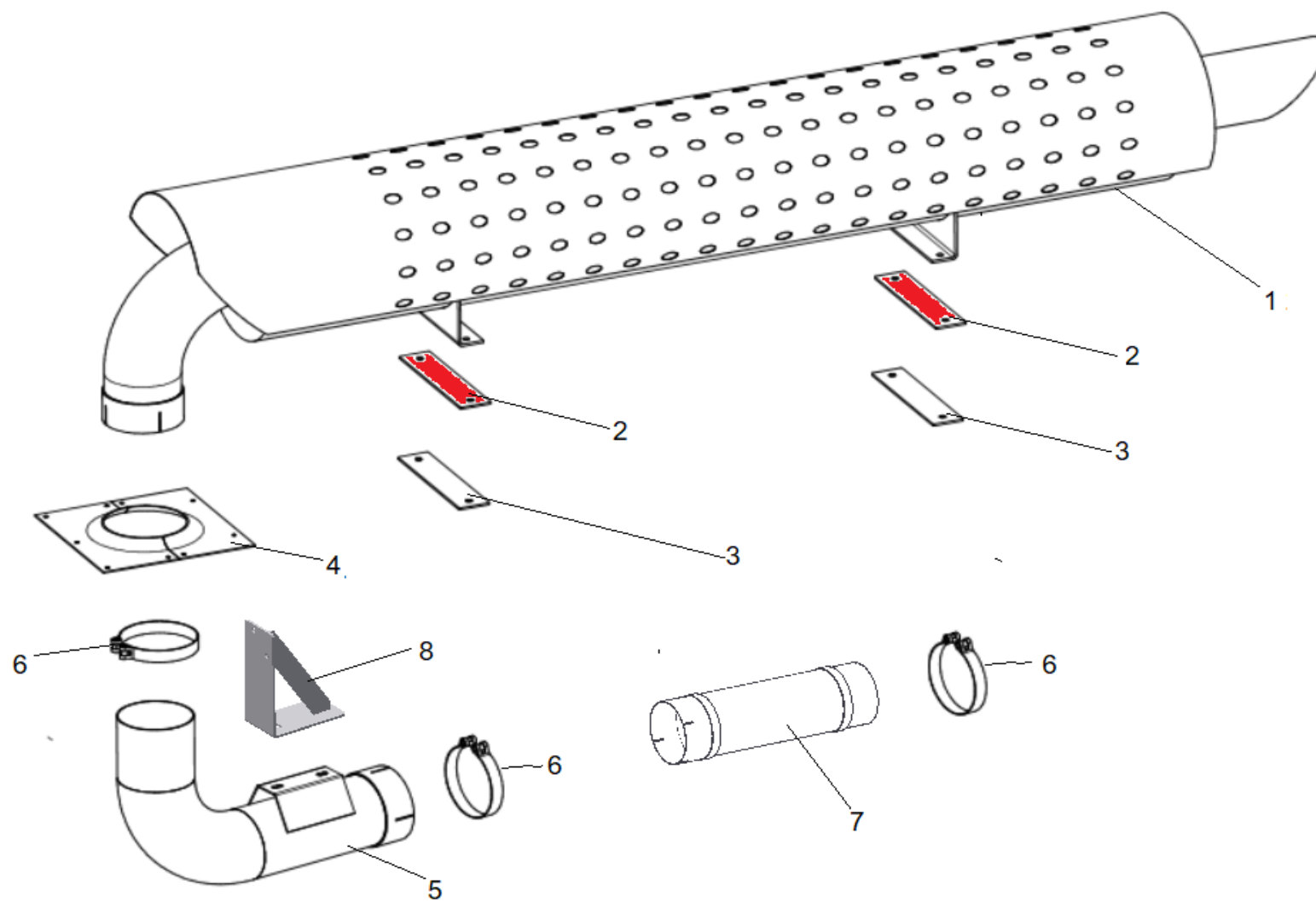


Technomatic**F90 2ST**

Tavola / Assembly

0604FILTRO ARIA
AIR FILTER

<u>RIF. / REF.</u>	<u>NUMERO PARTE PART NUMBER</u>	<u>DESCRIZIONE</u>	<u>DESCRIPTION</u>	<u>Q.TA' / Q.TY</u>
1	00095127	Filtro aria	Air filter	1
	00112668	Cartuccia filtro	Filter cartridge	1
2	1674223	Fascetta	Clamp	1
3	8149322	Tubo	Hose	1
4	994561	Fascetta	Clamp	1
5	21405819	Racordo	Union	1
6	21160546	Collare	Collar	1
7	1544735	Fascetta	Clamp	1
8	845422	Tappo plastica	Plastic plug	1
9	994559	Fascetta	Clamp	1
10	21377722	Staffa	Bracket	1
11	21409030	Staffa	Bracket	1
12	990942	Dado	Nut	4
13	984816	Vite	Screw	6
14	994561	Fascetta	Clamp	1
15	22996281	Interruttore svuotamento	Vacuum switch	1
16	949931	Tubo	Hose	1
17	994386	Vite	Screw	1
18	807257	Manicotto	Sleeve	1
19	949746	Fascetta	Clamp	1
20	2131442	Valvola svuotamento	Outlet valve	1





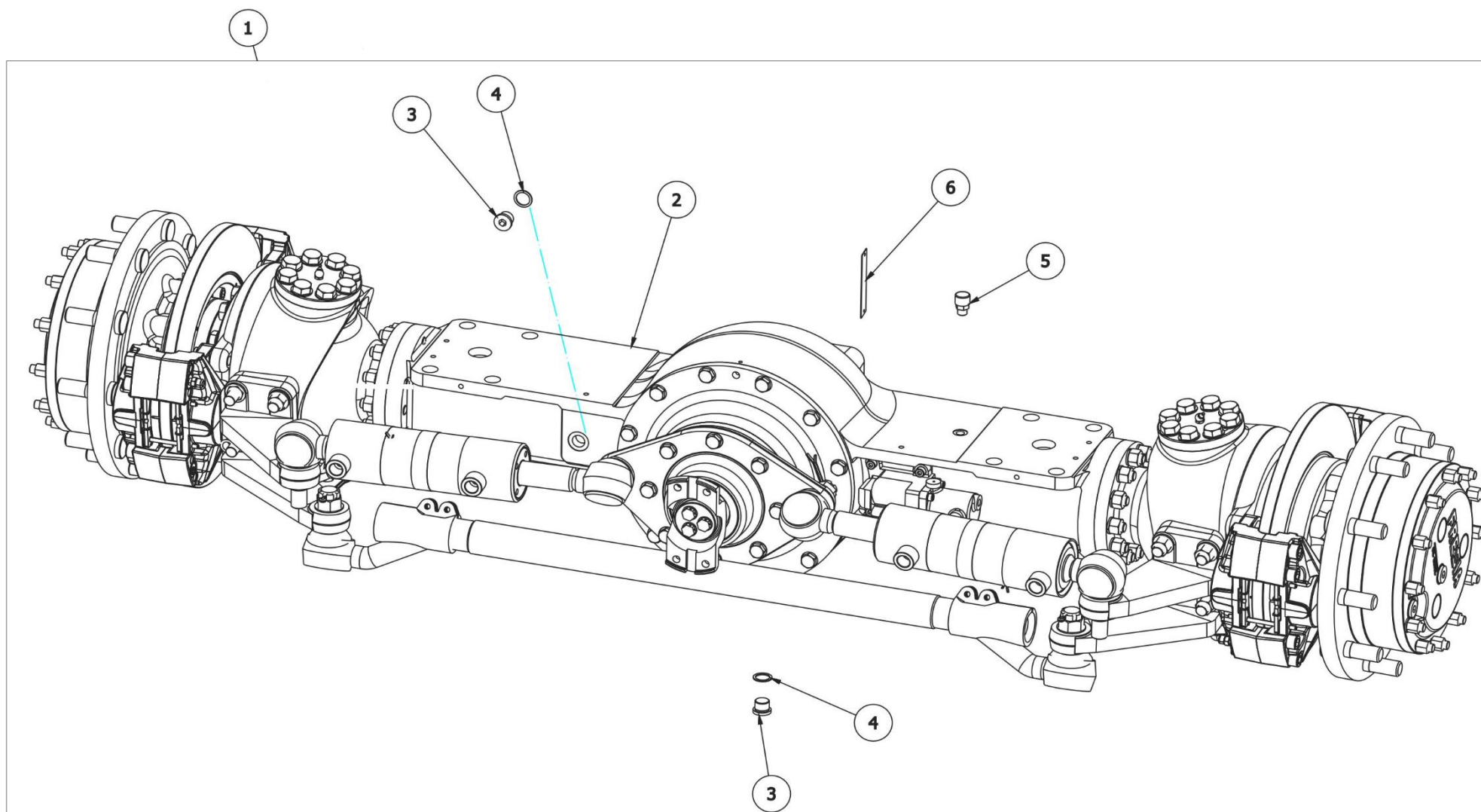
F90 2ST

Tavola / Assembly

0605

TUBAZIONI DI SCARICO
EXHAUSTING SYSTEM

<u>RIF. / REF.</u>	<u>NUMERO PARTE PART NUMBER</u>	<u>DESCRIZIONE</u>	<u>DESCRIPTION</u>	<u>Q.TA' / Q.TY</u>
1	00108751	Silenziatore	Silencer	1
2	00108592	Adiprene	Plastic bumper	2
3	00108741	Rinforzo	Reinforcement	2
4	00096259	Cover	Cover	1
5	00108747	Tubo flessibile	Pipe	1
6	00089960	Fascetta	Clamp 131-139	3
7	00097873	Tubo flessibile	Flex pipe	1
8	00108748	Supporto	Support	1





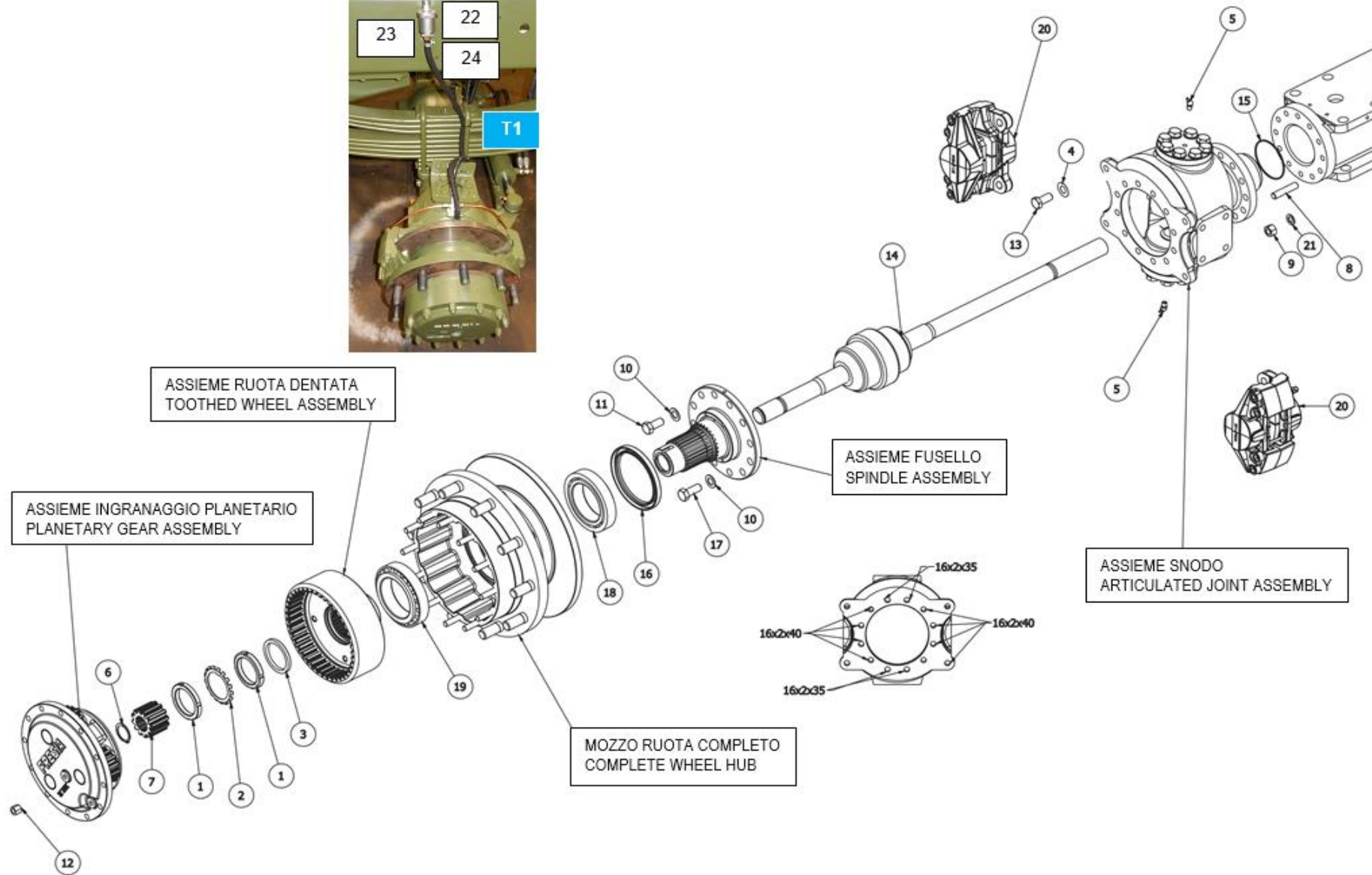
F90 2ST

Tavola / Assembly

0701

PONTE ANTERIORE E POSTERIORE
FRONT AND REAR AXLE

<u>RIF. / REF.</u>	<u>NUMERO PARTE</u> <u>PART NUMBER</u>	<u>DESCRIZIONE</u>	<u>DESCRIPTION</u>	<u>Q.TA' / Q.TY</u>
1	010DF00F90I/7	Ponte sterzante anteriore	Front axle	1
	011DF00F90I/7	Ponte sterzante posteriore	Rear axle	
2	00104809	Scatola ponte anteriore	Front axle case	1
		Scatola ponte posteriore	Rear axle case	1
3	T00.1475	Tappo vite	Plug	2x2
4	R0082099	Ranella Cu Øi20 Øe 26 sp.1,5	Copper washer Øi20 Øe 26 th.1,5	2x2
5	.00.4435	Tappo sfiato 1/4" CH 17	Breather plug 1/4"	1x2
6	00080730	Targhetta per gruppi meccanici	Metal plate	1x2





F90 2ST

Tavola / Assembly

0702

ASSEMBLAGGIO PONTI
AXLE ASSEMBLY

<u>RIF. / REF.</u>	<u>NUMERO PARTE PART NUMBER</u>	<u>DESCRIZIONE</u>	<u>DESCRIPTION</u>	<u>Q.TA' / Q.TY</u>
1	00002875	Dadi arrotondati con intaglio	Ring nut	4
2	00002876	Rondella di fissaggio	Washer	2
3	00081791	Distanziale per centraggio corona (1:5.294)	Spacer	2
4	003069/2	Spessore di registrazione pinze freni	Thickness	8
5	I00.1315	Ingrassatore obliquo	Grease fitting	4
6	S00.4575	Anello elastico di arresto	Seeger ring	2
7	002873/1	Rocchetto centrale	Gear	2
8	P02907/1	Vite prigioniera fissaggio snodo	Stud bolt	24
9	D4017474	Dado esagonale	Nut	24
10	R0011721	Rondella elastica ondulata	Washer	24
11	V00.5493	Vite	Screw	8
12	D02886/1	Dado per colonnetta	Nut	24
13	V02909/1	Viti fissaggio pinza freni al ponte	Screw 16x2x35	8
14	002895/1	Semiassse snodato	Half axle	2
15	L00.6481	Anello OR	O-ring	2
16	L02890/2	Paraolio	Oil seal	2
17	V00.5494	Vite	Screw	16
18	X0032019	Cuscinetto	Bearing	2
19	X0032018	Cuscinetto	Bearing	2
20	00081233	Pinza freno	Brake caliper	4(front) 2(rear)
	1069.1407	Kit pastiglie freno	Brake pads kit	4(front) 4(rear)
21	R00.6175	Rondella elastica grower ZN	Washer	24
22	00065413	Sfiato completo	Breather	4
23	00084543	Staffetta	Bracket	4
24	00082012	Fascetta	Clamp	8

T1	00080936	Tube treccia	Hose	1

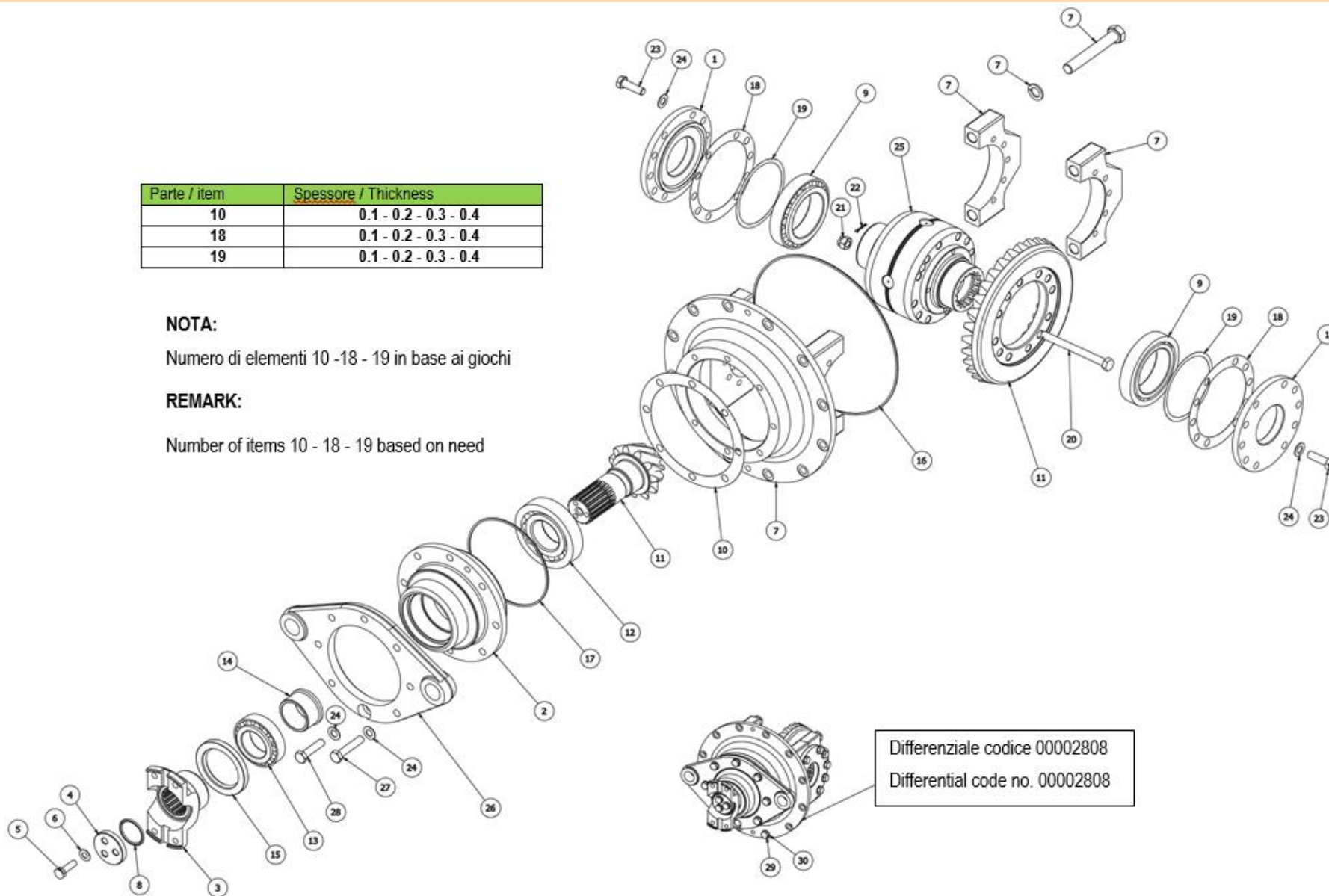
Parte / item	Spessore / Thickness
10	0.1 - 0.2 - 0.3 - 0.4
18	0.1 - 0.2 - 0.3 - 0.4
19	0.1 - 0.2 - 0.3 - 0.4

NOTA:

Numero di elementi 10 - 18 - 19 in base ai giochi

REMARK:

Number of items 10 - 18 - 19 based on need



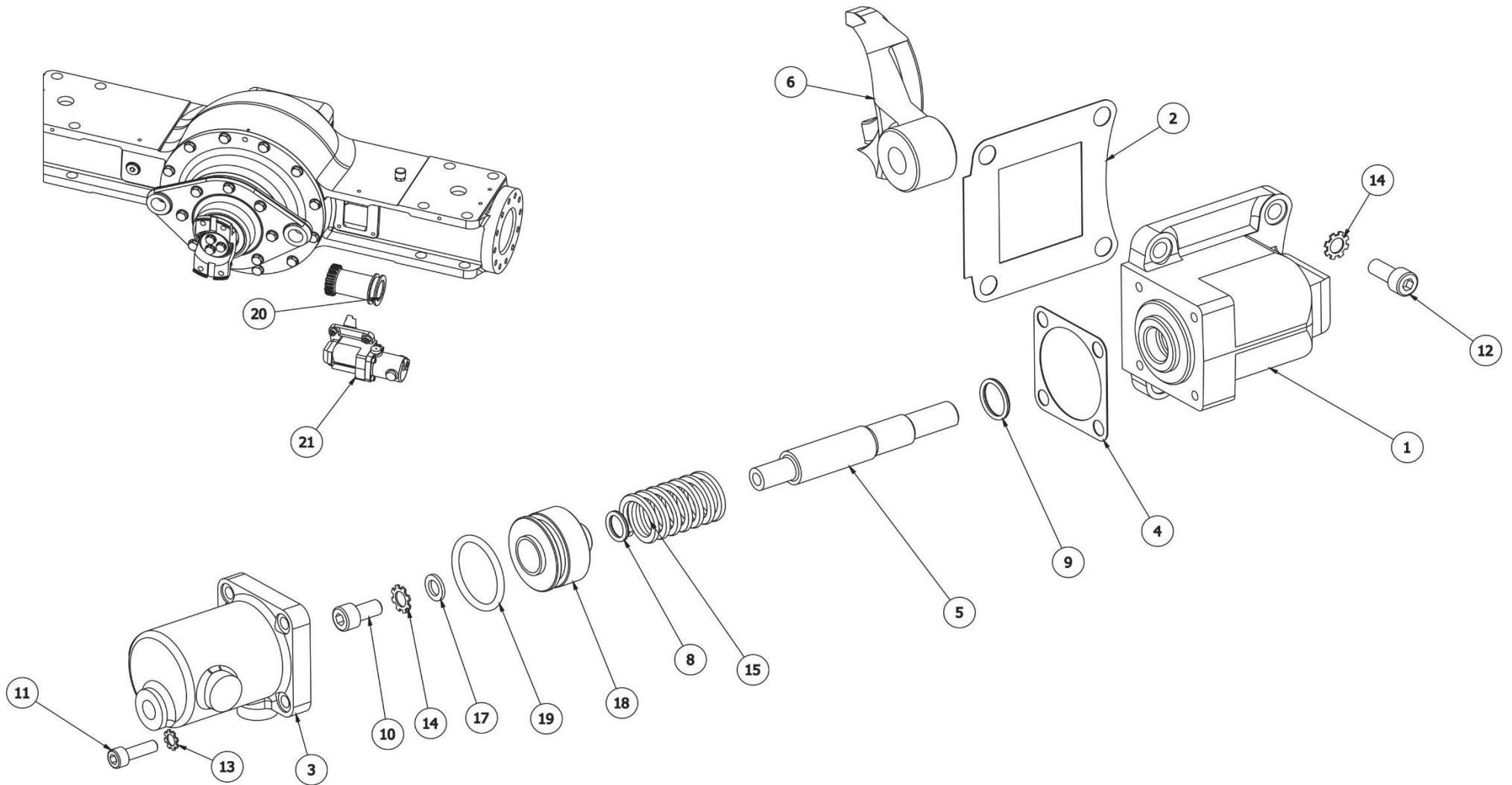
Technomatic**F90 2ST**

Tavola / Assembly

0703ASSEMBLAGGIO DIFFERENZIALE
DIFFERENTIAL ASSEMBLY

<u>RIF. / REF.</u>	<u>NUMERO PARTE PART NUMBER</u>	<u>DESCRIZIONE</u>	<u>DESCRIPTION</u>	<u>Q.TA' / Q.TY</u>
1	00002847	Coperchio per cuscinetto differenziale	Cover	2
2	002818/1	Supporto pignone differenziale	Support	1
3	00010471	Forcella	Fork	1
4	00021039	Ranella per albero supporto centrale	Washer	1
5	V00.5572	Vite	Screw	3
6	R0065014	Rondella elastica ondulata	Washer	3
7	002809/1	Supporto differenziale	Support	1
8	L00.1784	Anello OR	O-ring	1
9	X0032016	Cuscinetti a fila singola a rulli rastremati	Bearing	2
10	11756/33	Spessore di registrazione supporto pignone	Thickness	1
11	002832/4	Coppia conica rapp. 11-32	Gears 11-32	1
	002832/1	Pignone	Pinion	1
	002832/2	Corona	Crown	1
12	X0030311	Cuscinetti a fila singola a rulli rastremati	Bearing	1
13	X0032210	Cuscinetti a fila singola a rulli rastremati	Bearing	1
14	002814/1	Distanziale per cuscinetti pignone	Spacer	1
15	L02821/1	Anello di tenuta sull'albero	Fixing ring	1
16	L02810/1	Anello OR	O-ring	1
17	L02810/2	Anello OR	O-ring	1
18	11756/34	Spessore per registrazione corona differenziale	Thickness	2
19	00083321	Spessore di registrazione corona	Thickness	2
20	V02845/1	Perno	Pin	12
21	D00.1117	Dado esagonale con intaglio	Nut	12
22	C00.5737	Coppiglia	Split pin	12
23	V1013401	Vite a testa esagonale	Screw	20
24	R0065023	Rondella elastica ondulata	Washer	28
25	00083976	Differenziale interno	Internal differential	1

26	00109818	Supporto ancoraggio cilindri sterzo	Steering cylinders support	1
27	V00.5079	Vite a testa esagonale	Screw	7
28	V00.5152	Vite a testa esagonale	Screw	1
29	V00.1045	Vite	Screw	12
30	R00.5701	Rondella	Washer	12





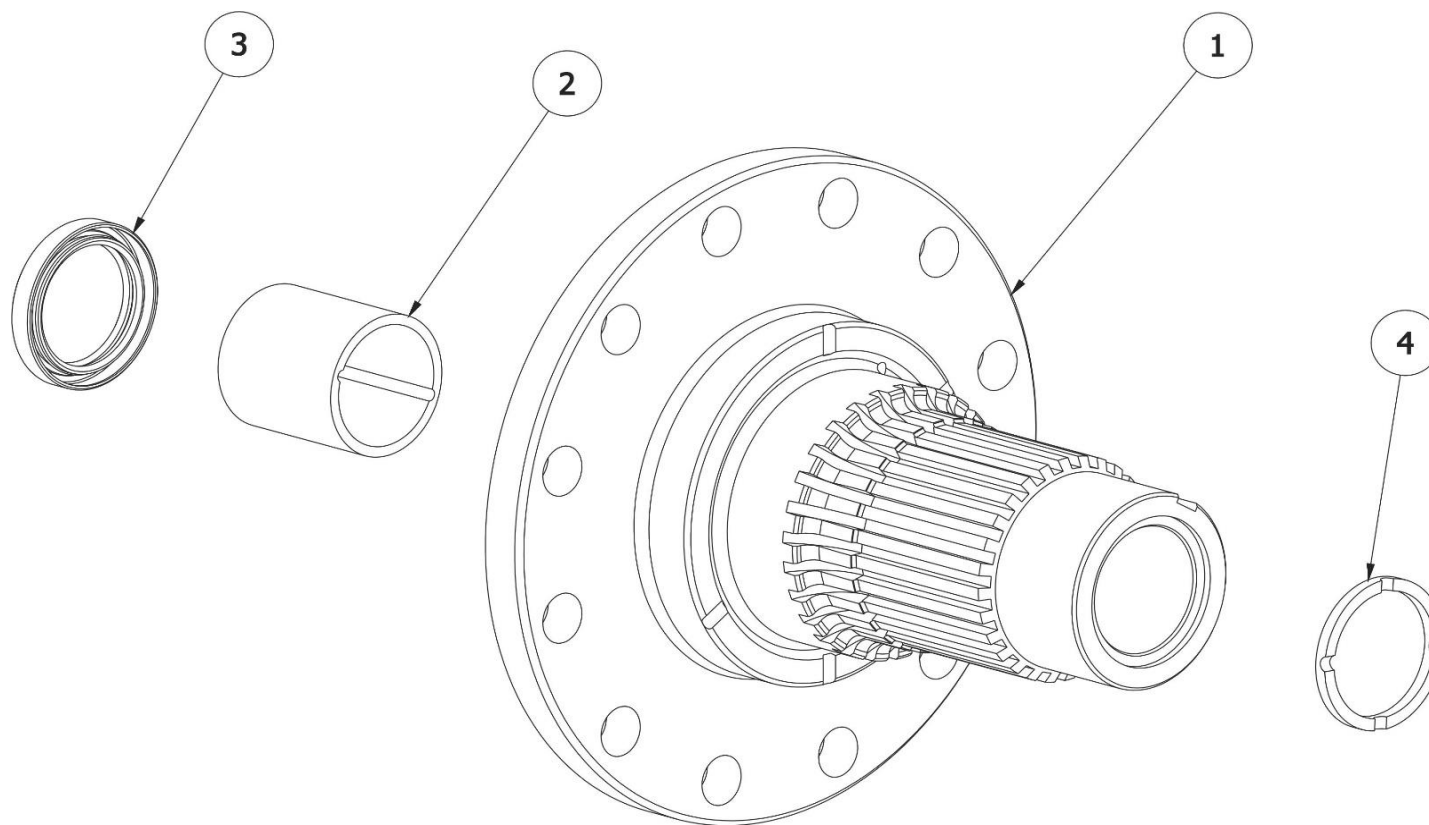
F90 2ST

Tavola / Assembly

0704

BLOCCAGGIO DIFFERENZIALE
DIFFERENTIAL LOCKING

<u>RIF. / REF.</u>	<u>NUMERO PARTE PART NUMBER</u>	<u>DESCRIZIONE</u>	<u>DESCRIPTION</u>	<u>Q.TA' / Q.TY</u>
1	010640/2	Supporto bloccaggio differenziale	Differential locking support	1
2	010640/3	Guarnizione carta per bloccaggio differenziale	Paper seal	1
3	010647/1	Cilindro per comando bloccaggio differenziale	Cylinder control	1
4	010640/4	Guarnizione carta	Paper seal	1
5	010645/1	Alberino per comando bloccaggio differenziale	Shaft	1
6	010644/1	Forcella per innesto bloccaggio differenziale	Fork	1
8	L00.5401	Anello OR	Or-ring	1
9	L10646/1	Anello OR	Or-ring	1
10	V0023104	Vite a testa cilindrica	Screw	1
11	V0010997	Vite a testa cilindrica	Screw	4
12	V0010999	Vite a testa cilindrica	Screw	4
13	R0065018	Rondella di fissaggio dentellata	Washer	4
14	R0065005	Rondella di fissaggio dentellata	Washer	5
15	00070003	Molla per bloccaggio differenziale	Spring	1
17	R00.1201	Rondella	Washer	1
18	00084760	Portaguarnizione per bloccaggio differenziale	Seal holder	1
19	L00.6267	O-Ring	Or-ring	1
20	010636/1	Manicotto bloccaggio	Locking sleeve	1
21	010640/5	Cilindro completo bloccaggio differenziale	Differential locking complete cylinder	1



COD. 96D00366



F90 2ST

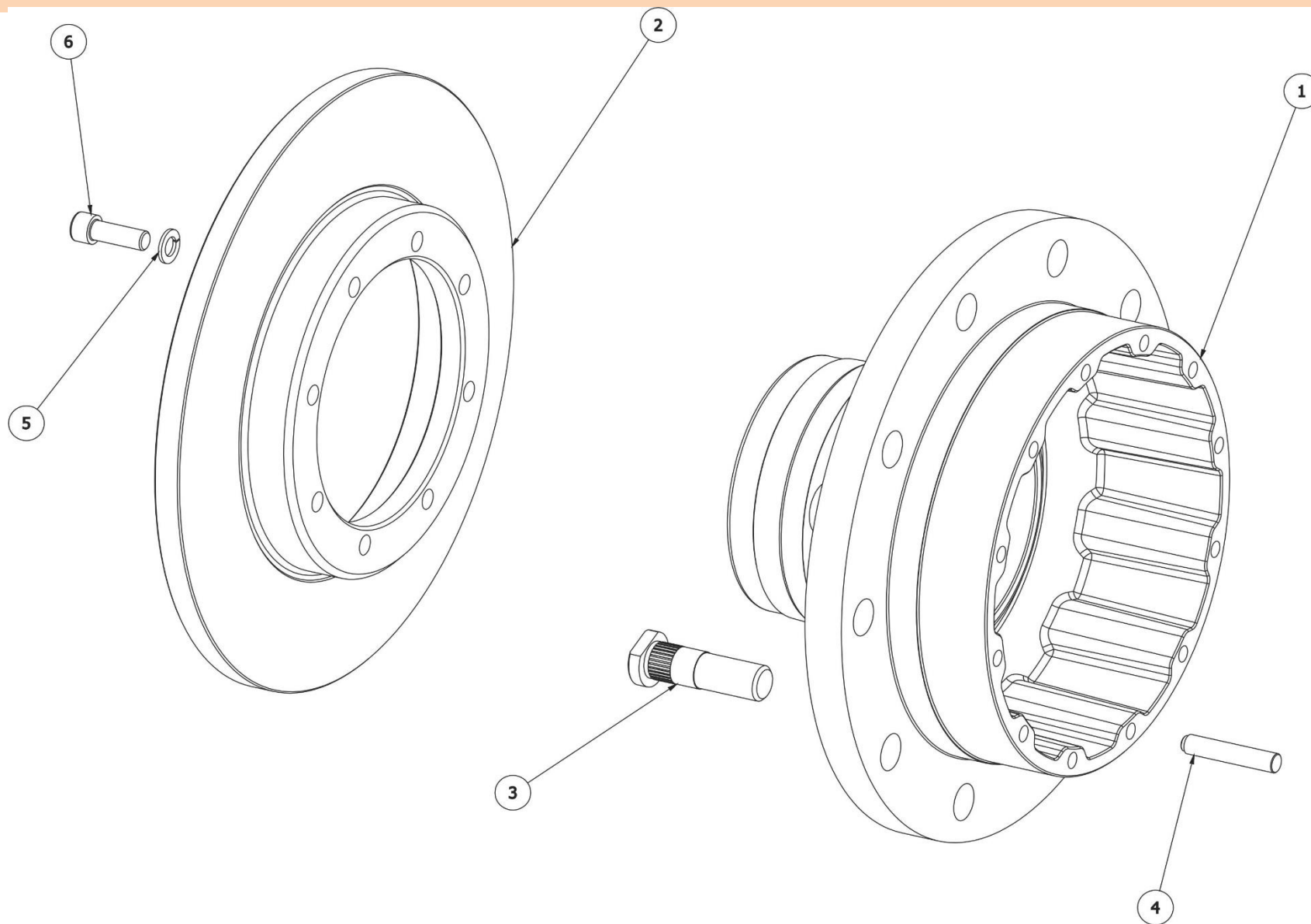
Tavola / Assembly

0705

PREPARAZIONE FUSELLO

SPINDLE ASSEMBLY

<u>RIF. / REF.</u>	<u>NUMERO PARTE</u> <u>PART NUMBER</u>	<u>DESCRIZIONE</u>	<u>DESCRIPTION</u>	<u>Q.TA' / Q.TY</u>
1	00081200	Fusello	Spindle	2
2	0002901/1	Boccola esterna per semiasse	Bushing	2
3	L02903/1	Paraolio	Oil retainer	2
4	00002854	Anello di spallamento per rocchetto centrale	Retaining ring	2





F90 2ST

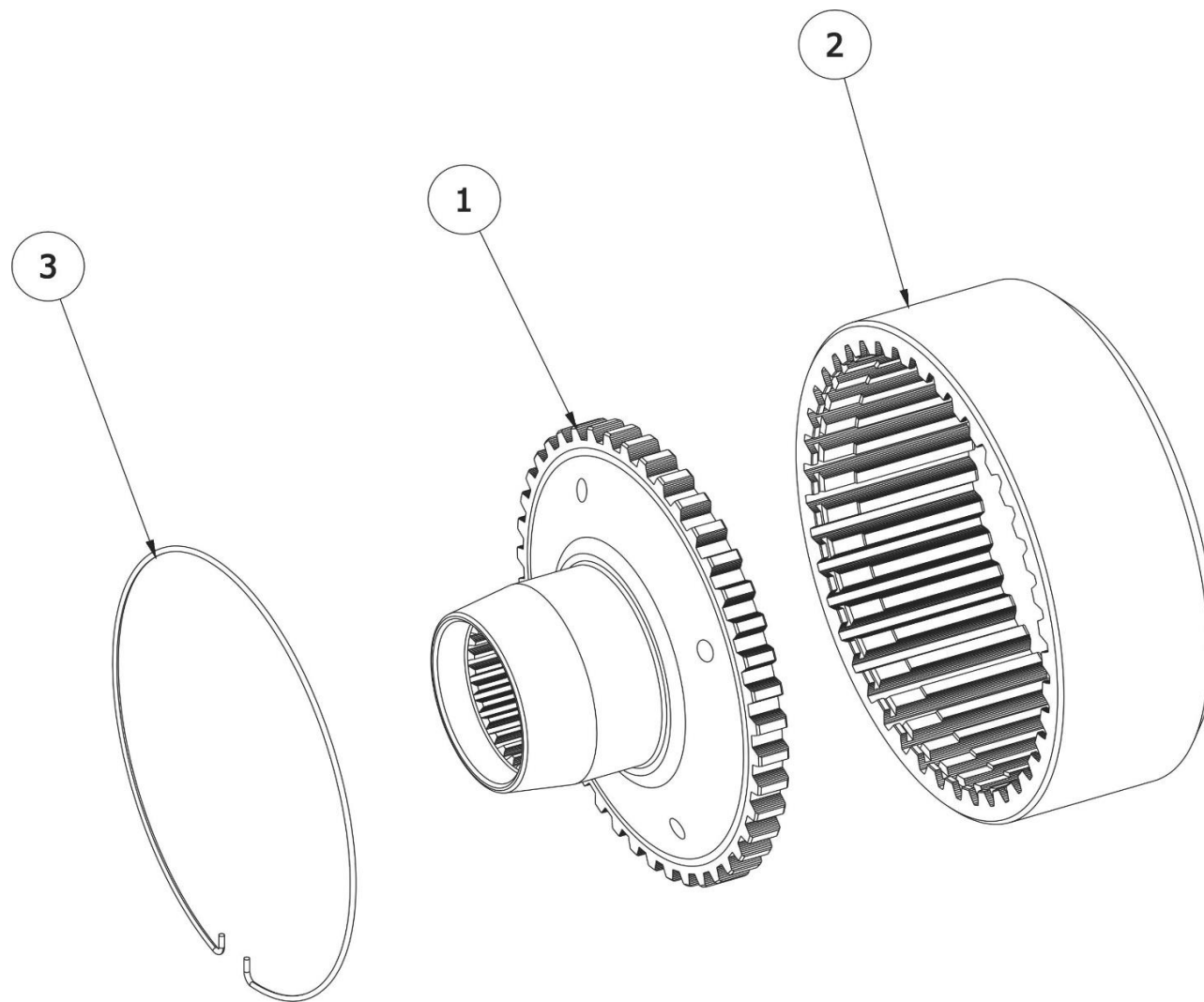
Tavola / Assembly

0706

PREPARAZIONE MOZZO
HUB ASSEMBLY

<u>RIF. / REF.</u>	<u>NUMERO PARTE PART NUMBER</u>	<u>DESCRIZIONE</u>	<u>DESCRIPTION</u>	<u>Q.TA' / Q.TY</u>
1	00081199	Mozzo con cuscinetto di diametro esterno 145	Wheel hub	2
2	00003069	Disco per freno ruota	Brake disc	2
3	012602/1	Complessivo e particolare colonnetta	Wheel locking pin	10x2
4	P02885/1	Prigioniero e dado	Stud bolt	12x2
5	R00.6208	Rondella elastica	Washer	8x2
6	V00.6834	Vite a testa cilindrica	Screw	8x2

* Mozzo completo / Complete hub assembly code.96D00367





F90 2ST

Tavola / Assembly

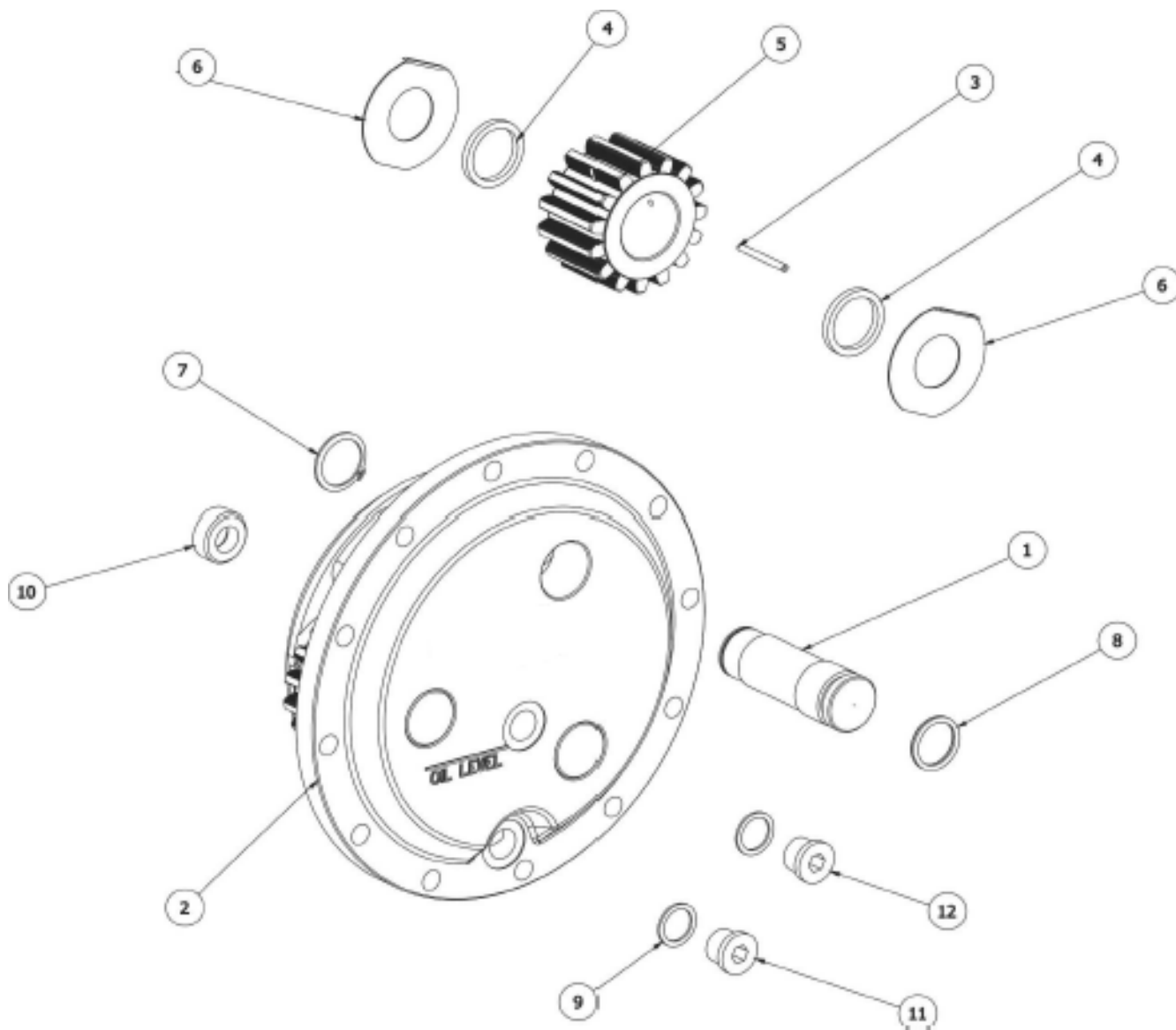
0707

PREPARAZIONE RUOTA DENTATA

COG WHEEL ASSEMBLY

<u>RIF. / REF.</u>	<u>NUMERO PARTE</u> <u>PART NUMBER</u>	<u>DESCRIZIONE</u>	<u>DESCRIPTION</u>	<u>Q.TA' / Q.TY</u>
1	00083599	Ruota dentata per fissaggio corona	Toothed wheel	2
2	002882/1	Corona dentata interna	Crown	2
3	00002851	Anello di fermo	Fixing ring	2

Assemblaggio ruota dentata / Cog wheel assembly S/N. **96D00364**





F90 2ST

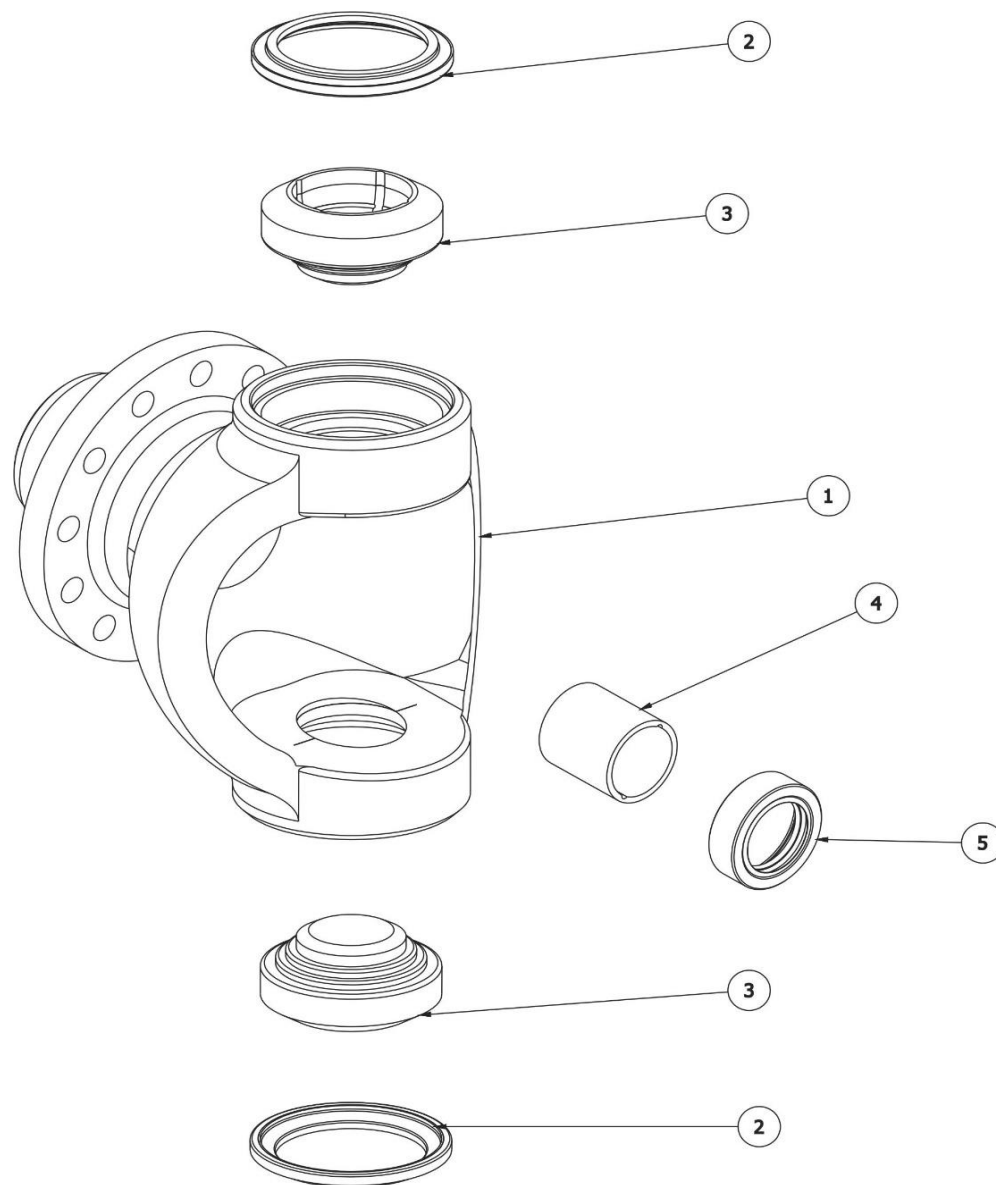
Tavola / Assembly

0708

MONTAGGIO CoMPLESSIVO EPICICLO
PLANETARY GEAR ASSEMBLY

<u>RIF. / REF.</u>	<u>NUMERO PARTE PART NUMBER</u>	<u>DESCRIZIONE</u>	<u>DESCRIPTION</u>	<u>Q.TA' / Q.TY</u>
1	00081466	Perno portasatellite rapporto di trasmissione	Pin	3
2	00084467	Portasatelliti	Complete planetary gear	1
3	.00.3106	Rullino cilindrico	Roller	84
4	00081788	Distanziale per satellite	Spacer	6
5	00084466	Satellite per epiciclo con portasatellite	Gear	3
6	00084469	Variante a rasamento per epiciclo	Screaper	6
7	S00.4680	Anello elastico di arresto	Elastic ring	3
8	L00.6046	Anello OR	Or-Ring	3
9	R0082099	Ranella	Washer	2
10	0002879/1	Tassello reggispinta semiasse	Tassel	1
11	00091779	Tappo magnetico c/cava esag.	Magnetic plug	1
12	T00.1475	Tappo vite	Plug	1

Assemblaggio rotismo epiciclodale / Planetary gear assembly S/N. **00084468**





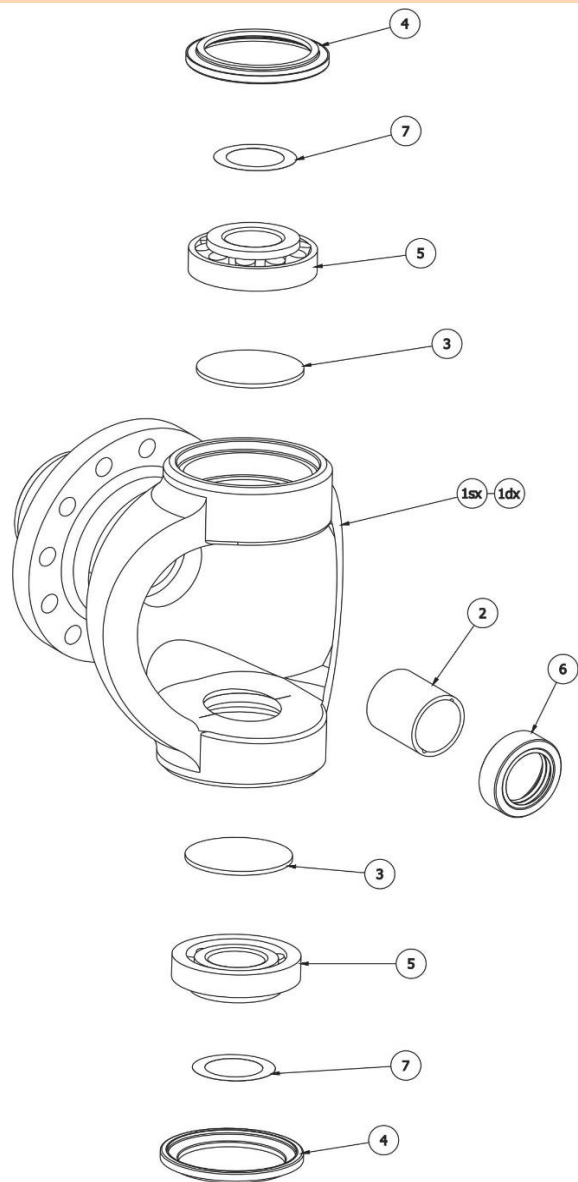
F90 2ST

Tavola / Assembly

0709

PREPARAZIONE SNODO DX-SX ANTERIORE
RIGHT AND LEFT FRONT ARTICULATION JOINT

<u>RIF. / REF.</u>	<u>NUMERO PARTE</u> <u>PART NUMBER</u>	<u>DESCRIZIONE</u>	<u>DESCRIPTION</u>	<u>Q.TA' / Q.TY</u>
1 dx	002783/1	Snodo destro	Right articulated joint	1
1 sx	002781/1	Snodo sinistro	Left articulate joint	1
2	00002773	Guarnizione di tenuta	Seal	2
3	00083136	Sede perni rotazione sterzo	Pin hood	2
4	0002901/1	Boccola esterna per semiasse	Bushing	1
5	L00.6366	Paraolio	Oil retainer	1

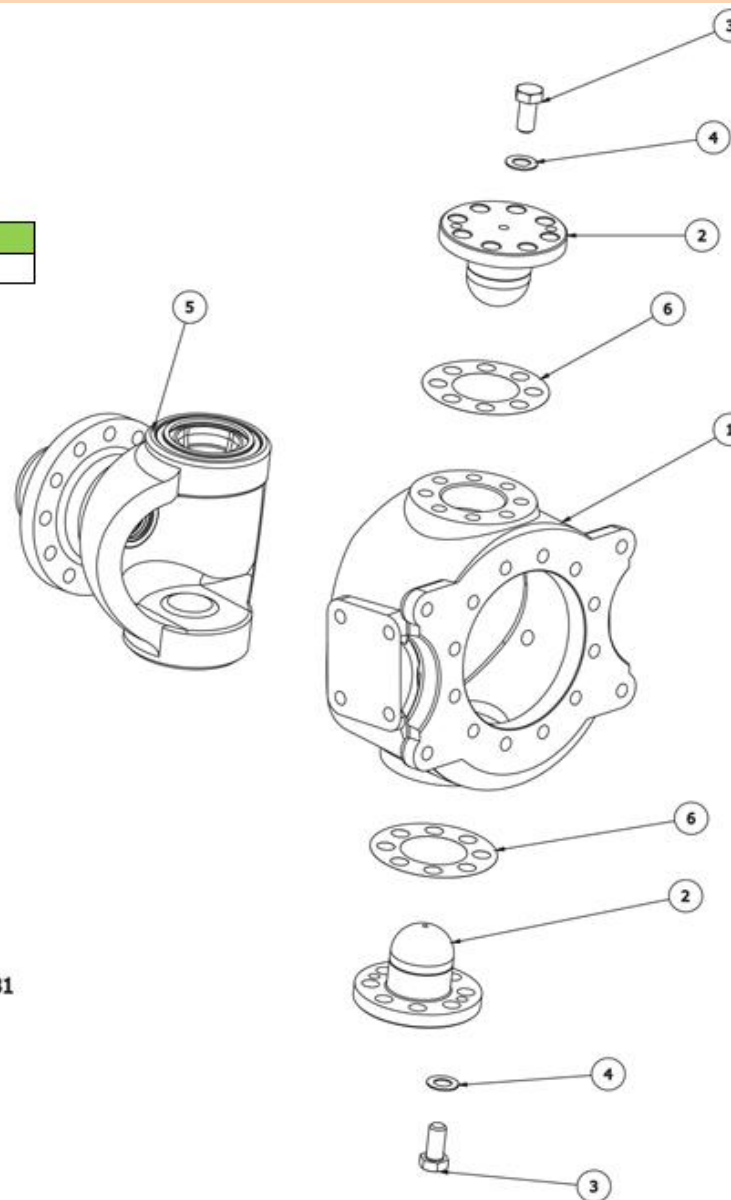


Technomatic**F90 2ST****Tavola / Assembly****0710**PREPARAZIONE SNODO DX-SX POSTERIORE
RIGHT AND LEFT REAR ARTICULATION JOINT

<u>RIF. / REF.</u>	<u>NUMERO PARTE PART NUMBER</u>	<u>DESCRIZIONE</u>	<u>DESCRIPTION</u>	<u>Q.TA' / Q.TY</u>
1 dx	002783/1	Snodo destro	Right articulated joint	1
1 sx	002781/1	Snodo sinistro	Left articulated joint	1
2	0002901/1	Boccola esterna per semiasse	Bushing	1
3	00002772	Coperchio di chiusura sedi perni di sterzo	Cover	2
4	00002773	Guarnizione di tenuta	Gasket	2
5	X0031308	Cuscinetti a fila singola a rulli rastremati	Bearing	2
6	L00.6366	Paraolio	Oil seal	1
7	11756/09	Spessore di registro per cuscinetto	Thickness	2

Particolari 1 e 5: diversi parte destra e sinistra
Items 1 and 5: right one is different from left one

Parte / item	Spessore / Thickness
6	0.1 - 0.2 - 0.3



COD. 96D01081

Technomatic**F90 2ST****Tavola / Assembly****0711**SNODO DX-SX COMPLETO ANTERIORE
COMPLETE RIGHT AND LEFT FRONT ARTICULATION JOINT

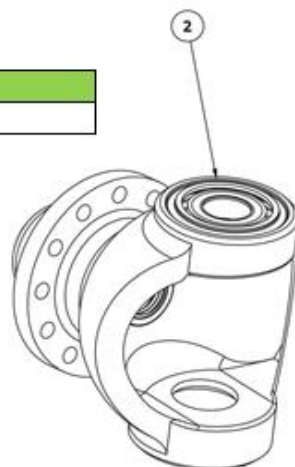
<u>RIF. / REF.</u>	<u>NUMERO PARTE PART NUMBER</u>	<u>DESCRIZIONE</u>	<u>DESCRIPTION</u>	<u>Q.TA' / Q.TY</u>
1 dx	002783/2	Supporto snodo destro	Right articulated joint support	1
1 sx	002781/2	Supporto snodo sinistro	Left articulated joint support	1
2	00083073	Perno per rotazione sterzo	Steering pin	4
3	V00.5493	Vite	Screw	32
4	R0011721	Rondella elastica ondulata	Washer	32
5dx	96D01080	Preparazione snodo dx F90 anteriore	Right front articulated joint	1
5sx	96D01080	Preparazione snodo sx F90 anteriore	Left front articulated joint	1
6	11756/08	Spessore di registrazione (0.1 - 0.2 - 0.3)	Thickness (0.1 - 0.2 - 0.3)	*

*Quantità necessaria per la registrazione / Quantity based on set up

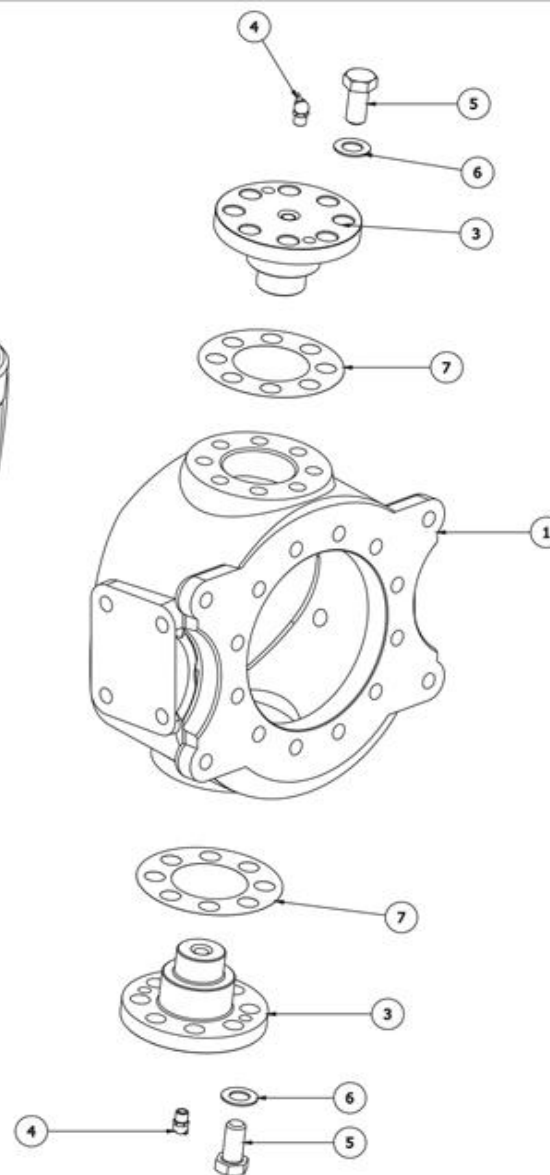
Particolari 1 e 2 diversi DX e SX

Item 1 and 2: right one is different from left one

Parte / item	Spessore / Thickness
7	0.1 - 0.2 - 0.3



COD. 96D01082





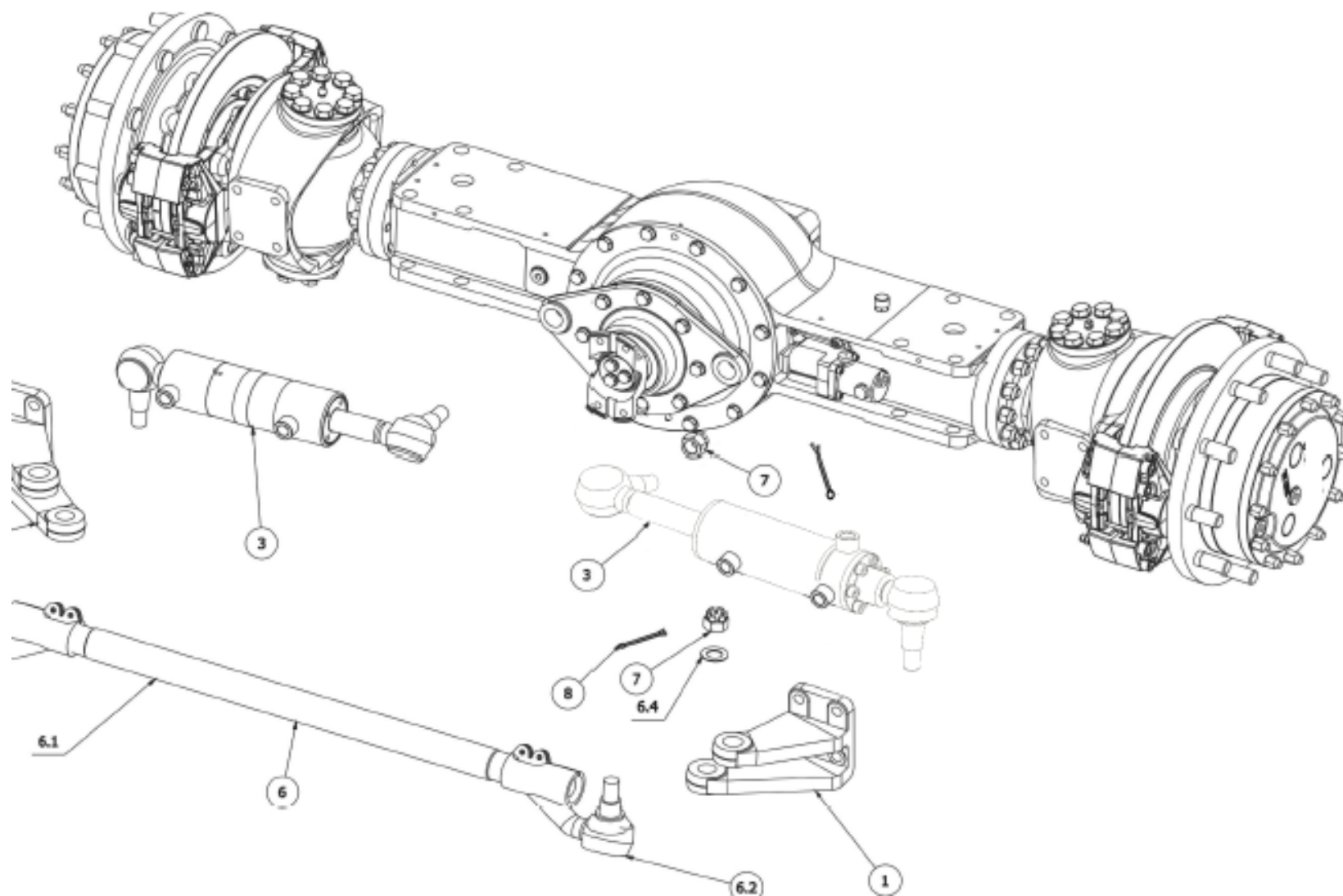
F90 2ST

Tavola / Assembly

0712

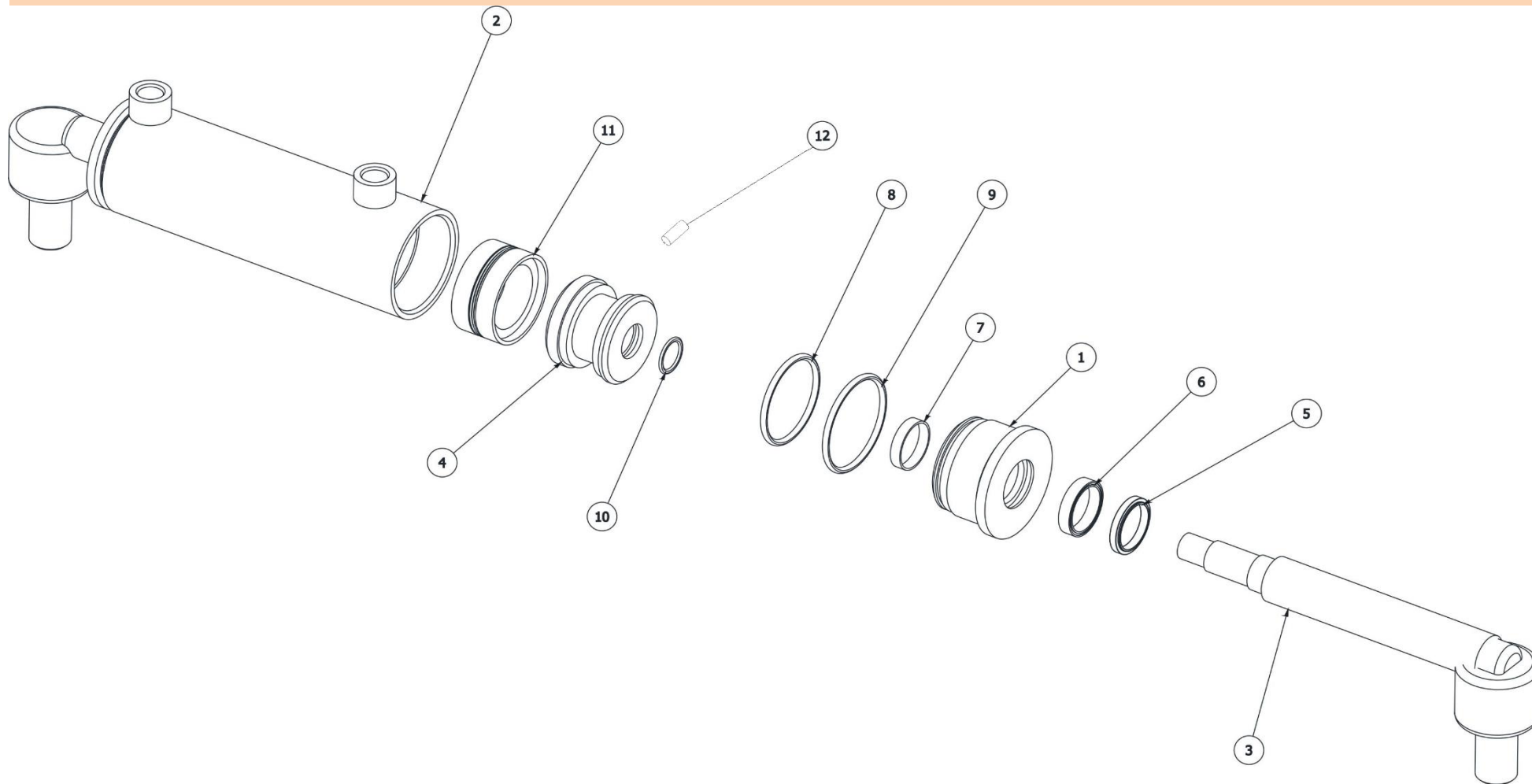
SNODO DX-SX COMPLETO POSTERIORE
COMPLETE RIGHT AND REAR FRONT ARTICULATION JOINT

<u>RIF. / REF.</u>	<u>NUMERO PARTE PART NUMBER</u>	<u>DESCRIZIONE</u>	<u>DESCRIPTION</u>	<u>Q.TA' / Q.TY</u>
1	002783/2	Supporto snodo destro post.	Right rear articulated joint support	1
	002781/2	Supporto snodo sinistro post.	Left rear articulated joint support	1
2	96D00365	Preparazione snodo DX post.	Right articulated joint assembly	1
	96D00365	Preparazione snodo SX post.	Left articulated joint assembly	1
3	00002774	Perno di sterzo per supporto snodo	Steering pin	4
4	I00.1315	Ingrassatore obliquo	Grease fitting	4
5	V00.5493	Vite	Screw	32
6	R0011721	Rondella elastica ondulata	Washer	32
7	11756/08	Spessore di registrazione per perni sterzo (0.1 - 0.2 - 0.3)	Thickness (0.1 - 0.2 - 0.3)	4



Technomatic**F90 2ST****Tavola / Assembly****0713**MONTAGGIO BARRA DI ACCOPPIAMENTO E CILINDRI STERZO
COUPLING BAR AND STEERING CYLINDERS MOUNTING ON AXLE

<u>RIF. / REF.</u>	<u>NUMERO PARTE PART NUMBER</u>	<u>DESCRIZIONE</u>	<u>DESCRIPTION</u>	<u>Q.TA' / Q.TY</u>
1	00082323	Leva destra per barra accoppiamento anteriore	Front right lever	1
	00082323	Leva destra per barra accoppiamento posteriore	Rear right lever	1
2	00082324	Leva sinistra per barra accoppiamento anteriore	Front left lever	1
	00082324	Leva sinistra per barra accoppiamento posteriore	Rear left lever	1
3	FL00010959	Complessivo cilindro sterzo	Steering cylinder	1
4	P02798/1	Vite prigioniera	Stud bolt	8
5	D00.6036	Dado esagonale	Nut	8
6	00104484	Barra di accoppiamento completa	Coupling bar	1
6.1	00104483	Barra di accoppiamento	Coupling bar	1
6.2	00020598	Testina sterzo destra	Right steering head	1
6.3	00104329	Testina sterzo sinistra	Left steering head	1
6.4	R00.5565	Ranella ondulata	Washer	2
7	D0023055	Dado esagonale con intaglio	Nut	4
8	C1015216	Coppiglia	Split pin	4
9	R00.6512	Rondella	Washer	8





F90 2ST

Tavola / Assembly

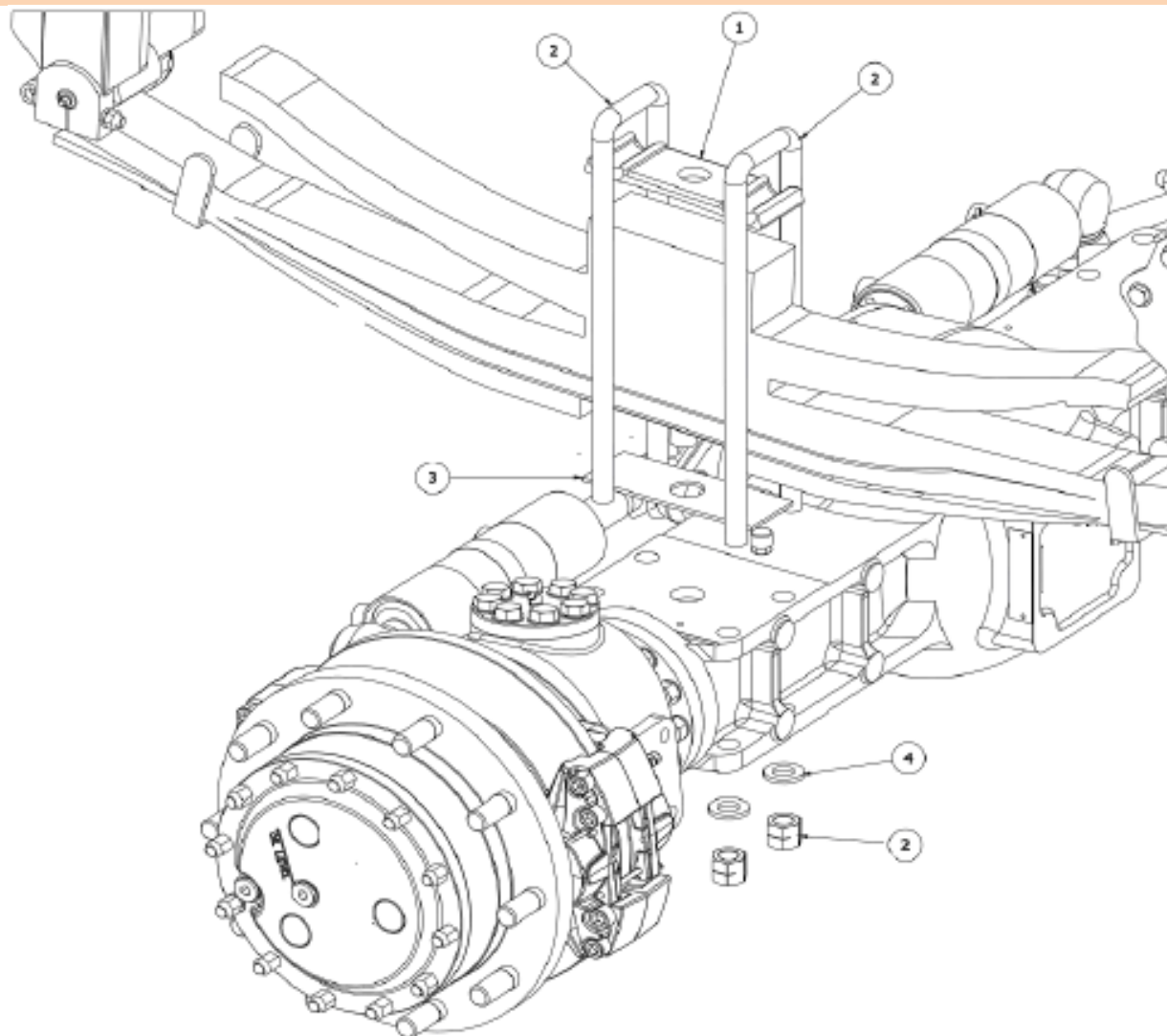
0713A

COMPLESSIVO CILINDRO STERZO_FL00010595

COMPLETE STEERING CYLINDER_FL00010595

<u>RIF. / REF.</u>	<u>NUMERO PARTE PART NUMBER</u>	<u>DESCRIZIONE</u>	<u>DESCRIPTION</u>	<u>Q.TA' / Q.TY</u>
1	2FR000231	Testata anteriore	Head nut	1
2	2FR000245	Camicia	Housing	1
3	00107309	Stelo	Rod	1
4	2FR000230	Pistone	Piston	1
5	L01780/2	Raschiastelo SA 35	Scraper	1
6*	L00.7128	Tenuta stelo SD 35 43 8	Gasket	1
7*	L00.7180	Fascia guida FI 35 39 12.8	Band	1
8*	L00.7126	OR testata	OR ring 66,35x2,62	1
9*	L00.7181	OR antintrusione	OR ring 71,12x2,62	1
10*	L00.6267	OR pistone	OR ring 32,2x3,53	1
11*	L00.7127	Tenuta pistone KGD 70 50	Gasket	1
12	.00.6878	Grano	Grain	1

*Kit guarnizioni / Gaskets kit S/N. **2FR000246N**





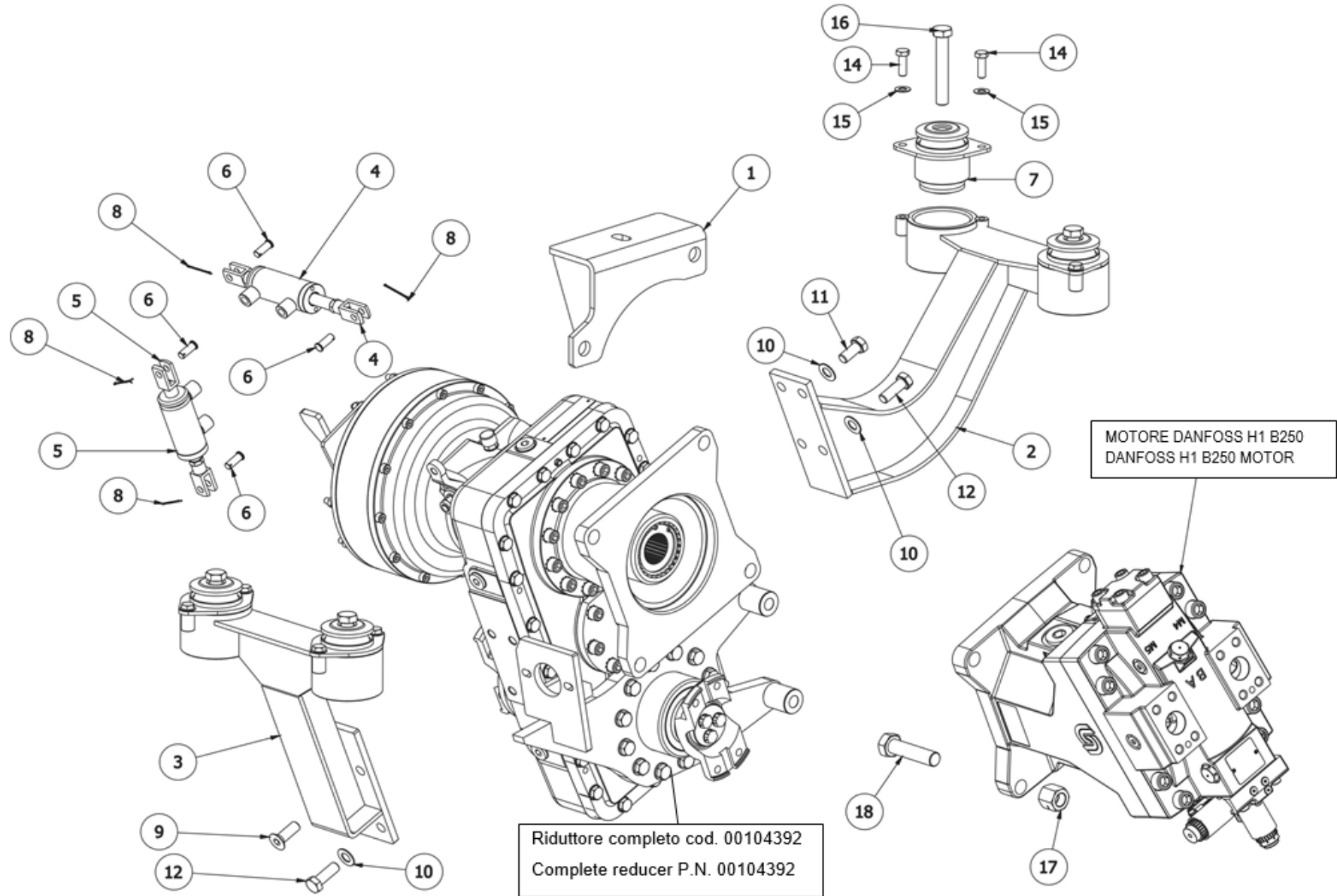
F90 2ST

Tavola / Assembly

0714

MONTAGGIO PONTE A TELAIO
AXLE MOUNTING ON CHASSIS

<u>RIF. / REF.</u>	<u>NUMERO PARTE</u> <u>PART NUMBER</u>	<u>DESCRIZIONE</u>	<u>DESCRIPTION</u>	<u>Q.TA' / Q.TY</u>
1	00011031	Piastra per balestra	Plate	4
2	00081639	Cavallotto balestra	Leafspring U-bolt	8
3	00091575	Spessore per scatola ponte posteriore	Rear thickness	4
4	R00.6181	Rondella elastica conica	Washer	16





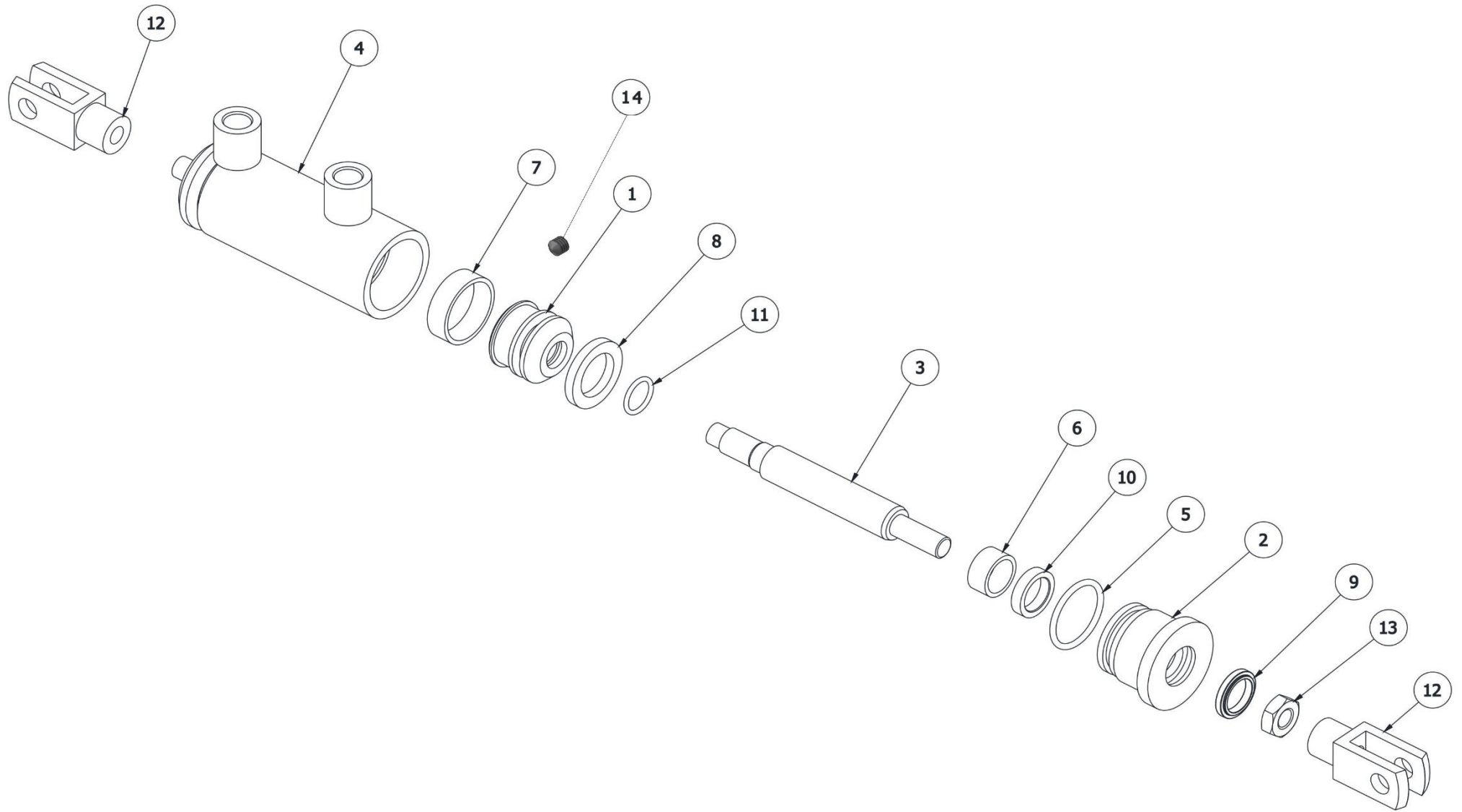
F90 2ST

Tavola / Assembly

0801

MONTAGGIO CILINDRI E STAFFE RIDUTTORE
TRANSFER REDUCER BRACKETS AND CYLINDERS MOUNTING

<u>RIF. / REF.</u>	<u>NUMERO PARTE PART NUMBER</u>	<u>DESCRIZIONE</u>	<u>DESCRIPTION</u>	<u>Q.TA' / Q.TY</u>
1	00104394	Supporto centrale sul riduttore	Central support	1
2	00102168	Supporto sinistro riduttore (con riduzione in alto)	Left support	1
3	00102169	Supporto destro riduttore (versione riduzione in alto)	Right support	1
4	FL00101504	Complessivo cilindro riduttore	Cylinder	1
5	FL00101505	Complessivo cilindro riduttore	Cylinder	1
6	00010804	Pernetto	Pin	4
7	00010008	Complessivo tampone	Bumper	4
8	C00.1325	Coppiglia	Split pin	5
9	V00.5169	Vite svasata	Screw	2
10	R00.5649	Rondella elastica ondulata	Washer	6
11	V00.5167	Vite a testa esagonale	Screw	2
12	V00.5168	Vite a testa esagonale	Screw	4
13	D00.6055	Dado	Nut	2
14	V4017419	Vite a testa esagonale	Screw	8
15	R0065014	Rondella elastica ondulata	Washer	8
16	V00.5033	Vite a testa esagonale	Screw	4
17	D00.6055	Dado	Nut	4
18	V00.5276	Vite a testa esagonale	Screw	4





F90 2ST

Tavola / Assembly

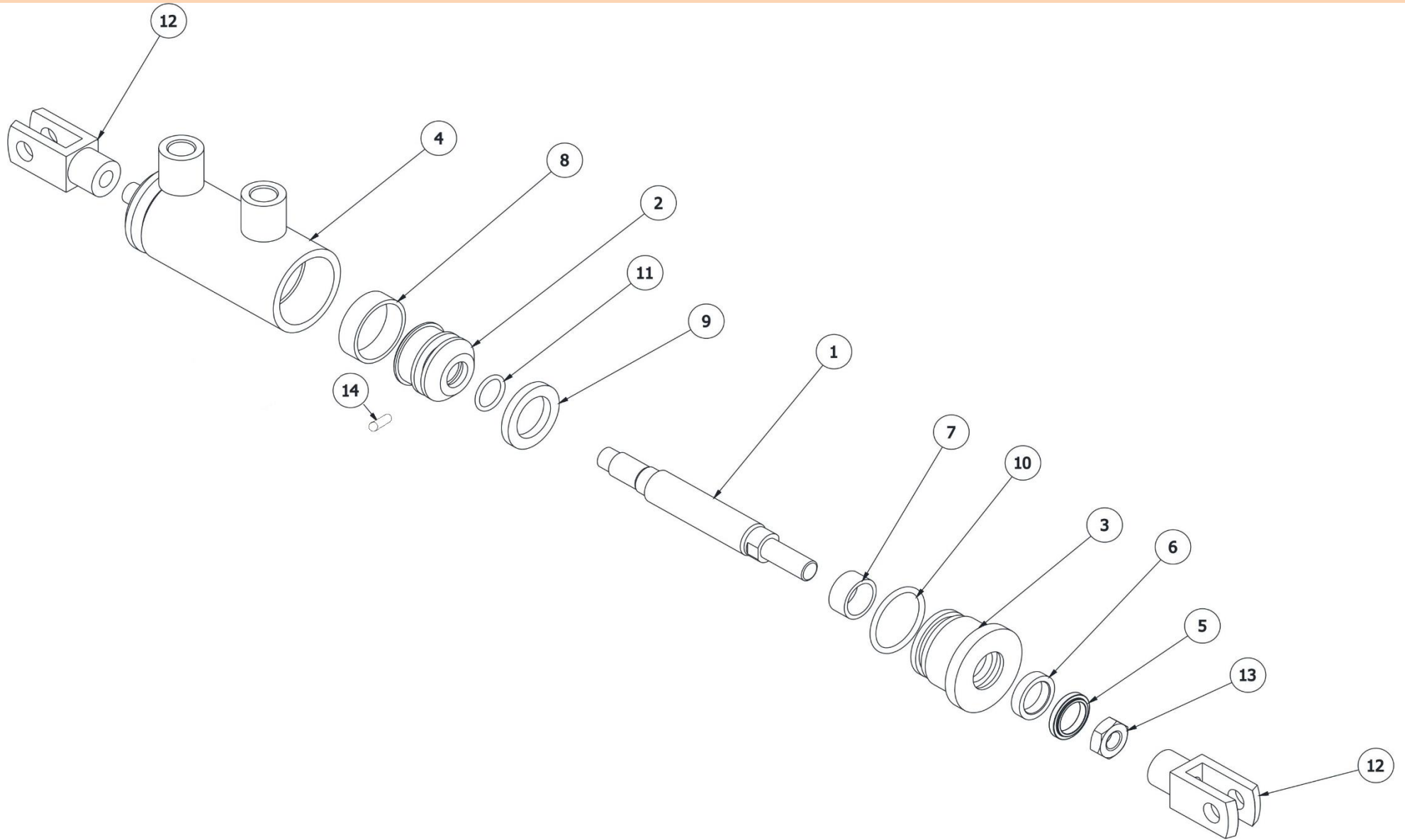
0801A

COMPLESSIVO CILINDRO RIDUTTORE - FL00101504

COMPLETE REDUCER CYLINDER - FL00101504

<u>RIF. / REF.</u>	<u>NUMERO PARTE PART NUMBER</u>	<u>DESCRIZIONE</u>	<u>DESCRIPTION</u>	<u>Q.TA' / Q.TY</u>
1	2FR000005	Pistone	Piston	1
2	2FR000006	Testata anteriore	Head Nut	1
3	2FR000027	Stelo	Rod	1
4	2FR000049	Camicia	Housing	1
5*	L00.7149	Anello OR 122	Or ring	1
6*	L00.5030	Fascia guida FI 16	Bend	1
7*	L00.7152	Fascia guida FE32	Bend	1
8*	L00.7151	Guarnizione KPR 32 21 4.2	Gasket	1
9*	L00.7147	Raschiastelo SAF16	Scraper	1
10*	L00.7148	Guarnizione A 16 22 5	Gasket	1
11*	L00.7150	Anello OR 014	Or ring	1
12	00065188	Forcellino	Fork	2
13	D00.6354	Dado	Nut	1
14	.00.0706	Grano	Grain	1

*Kit guarnizioni / Gaskets kit S/N. **2FR000020**





F90 2ST

Tavola / Assembly

0801B

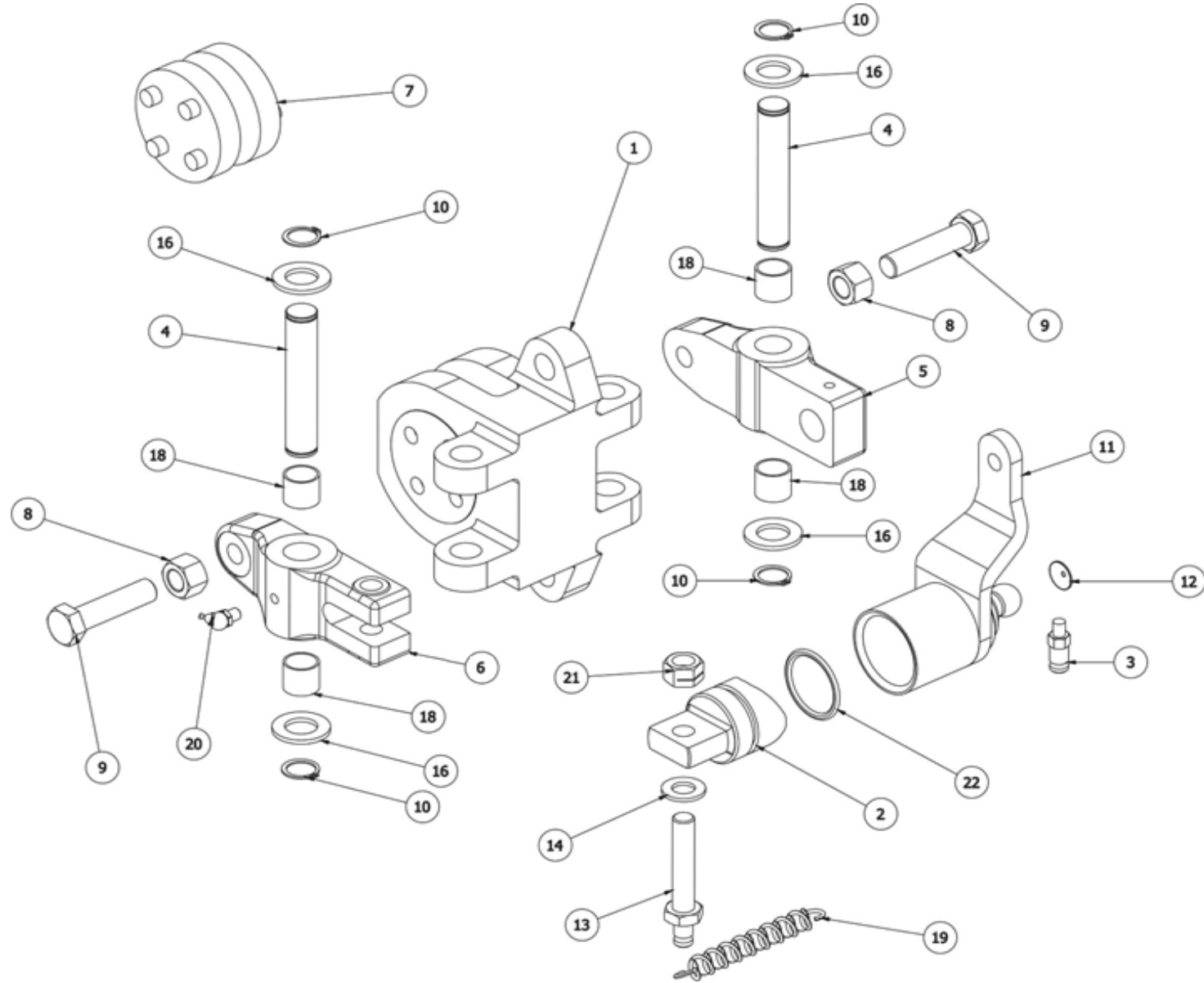
CILINDRO INSERIMENTO TRAZIONE POSTERIORE

REAR TRACTION INSERTION CYLINDER

FL00101505

<u>RIF. / REF.</u>	<u>NUMERO PARTE PART NUMBER</u>	<u>DESCRIZIONE</u>	<u>DESCRIPTION</u>	<u>Q.TA' / Q.TY</u>
1	2FR000002	Stelo	Rod	1
2	2FR000005	Pistone	Piston	1
3	2FR000006	Testata anteriore	Head nut	1
4	2FR000024	Canna	Housing	1
5*	L00.7149	Raschiastelo SAF 16	Scraper	1
6*	L00.5030	Guarnizione A 16 22 5	Gasket	1
7*	L00.7152	Fascia guida FI 16	Bend	1
8*	L00.7151	Fascia guida FE 32	Bend	1
9*	L00.7147	Guarnizione KPR 32 21 4.2	Gasket	1
10*	L00.7148	Anello OR 122	OR ring	1
11*	L00.7150	Anello OR 014	OR ring	1
12	00065188	Forcellino 10X1,5	Fork	2
13	D00.6534	Dado	Nut	1
14	.00.0706	Grano	Pin	1

* 2FR000020 KIT GUARNIZIONI / GASKETS KIT





F90 2ST

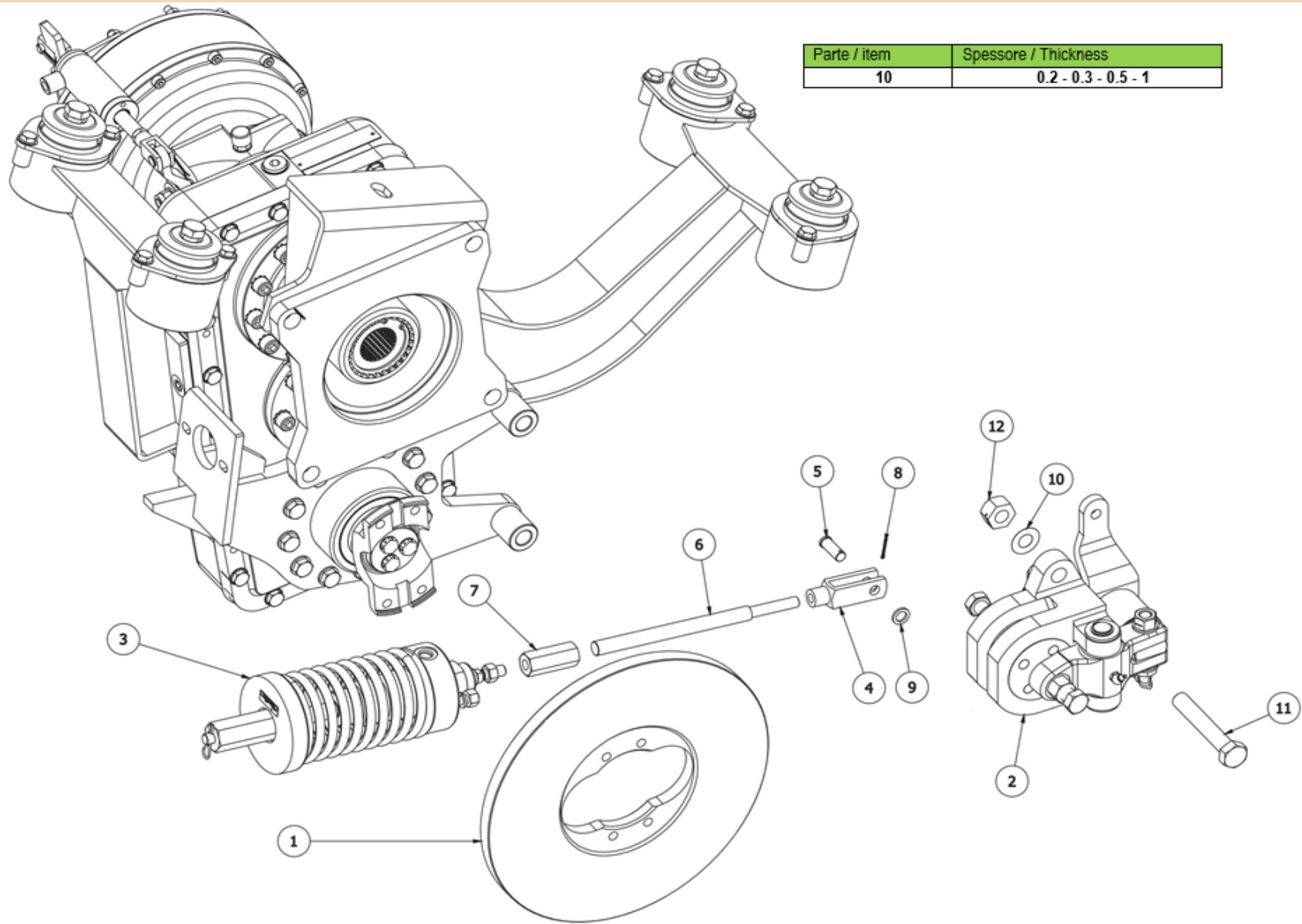
Tavola / Assembly

0802

PINZA COMPLETA FRENO A MANO - 000850/2

COMPLETE HANDBRAKE CALIPER - 000850/2

<u>RIF. / REF.</u>	<u>NUMERO PARTE PART NUMBER</u>	<u>DESCRIZIONE</u>	<u>DESCRIPTION</u>	<u>Q.TA' / Q.TY</u>
1	00081951	Pinza per freno di stazionamento	Parking brake caliper	1
2	00081852	Camma per freno di stazionamento	Camme	1
3	00081939	Perno per aggancio molla	Pin	1
4	00081880	Perno per ancoraggio bilancieri per pinza freno	Pin	2
5	00081888	Bilancere sinistro per pinza freno	Balancing element	1
6	00081887	Bilancere destro per pinza freno	Balancing element	1
7	012625/2	Pastiglia per freno di stazionamento	Brake pad	2
8	D1013469	Dado esagonale	Nut	2
9	V00.6148	Vite a testa esagonale	Screw	2
10	S0010342	Anello elastico di arresto	Seeger ring	4
11	00083042	Leva per freno di stazionamento	Lever	1
12	00082365	Pastiglia appoggio camma	Pad for camme contact	1
13	00081849	Perno fissaggio camma al bilanciere	Fixing pin	1
14	R1012212	Rondella	Washer	2
16	R00.1204	Rondella	Washer	4
18	.00.5704	Boccola	Bushing	4
19	00081742	Molla pinza freno a mano	Spring	1
20	I00.6211	Ingrassatore	Grease fitting	1
21	D00.6060	Dado	Nut	1
22	L00.1784	Anello OR	Or-Ring	1





F90 2ST

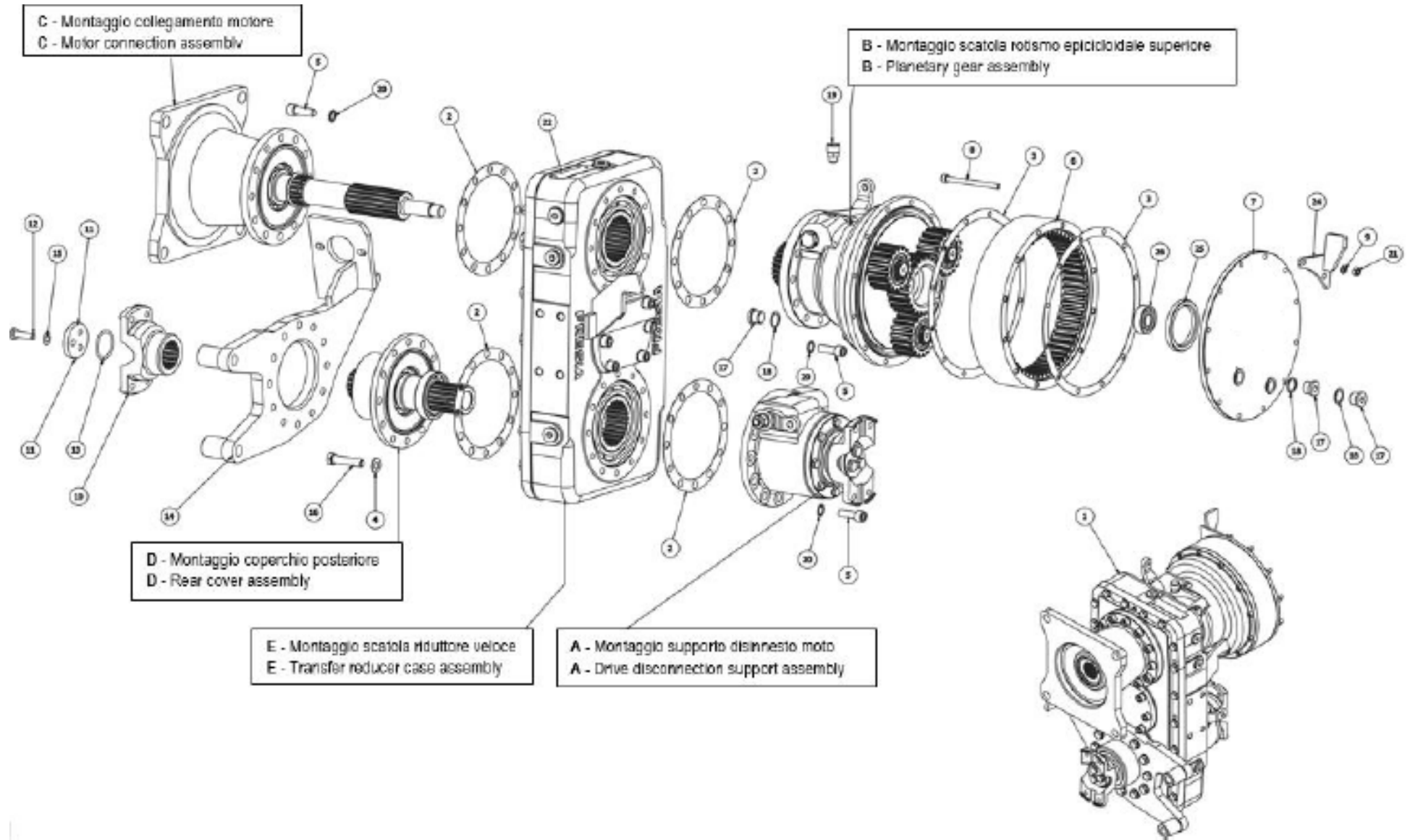
Tavola / Assembly

0802A

MONTAGGIO FRENO DI STAZIONAMENTO

COMPLETE HANDBRAKE CALIPER

<u>RIF. / REF.</u>	<u>NUMERO PARTE PART NUMBER</u>	<u>DESCRIZIONE</u>	<u>DESCRIPTION</u>	<u>Q.TA' / Q.TY</u>
1	00081982	Disco freno di stazionamento	Brake disc	1
2	000850/2	Pinza completa per freno di stazionamento	Parking brake caliper	1
3	00081649	Cilindro freno a mano	Parking brake cylinder	1
4	00010601	Forcellino	Fork	1
5	00010588	Pernetto	Pin	1
6	00081853	Tirante	Tie rod	1
7	00102238	Boccola per tirante freno di stazionamento	Bushing	1
8	C00.5737	Coppiglia	Split pin	1
9	R0012032	Rondella	Washer	1
10	003069/3	Spessore di registrazione pinze freni	Thickness	4
11	V00.5536	Vite a testa esagonale	Screw	2
12	D4017478	Dado	Nut	2





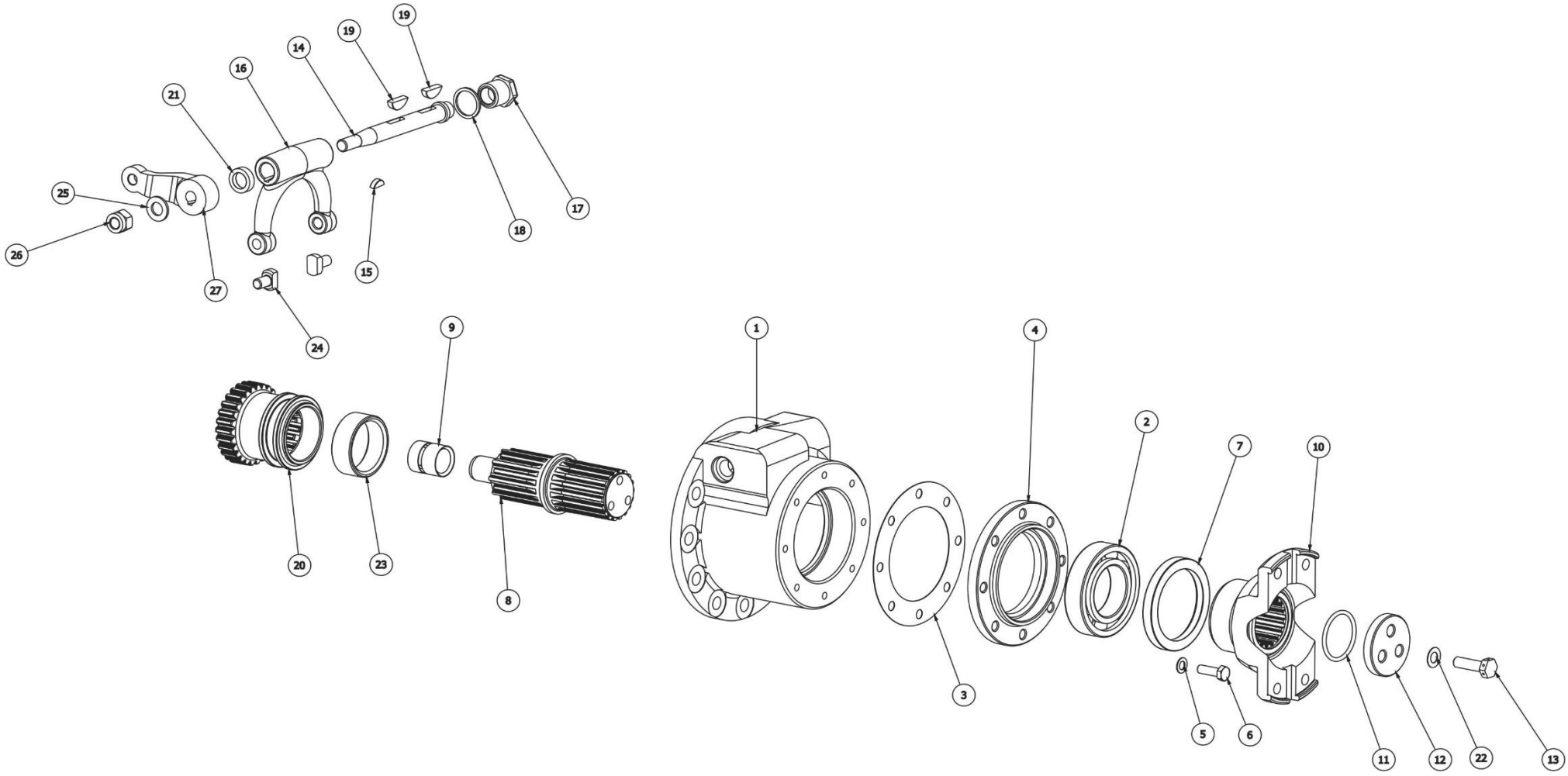
F90 2ST

Tavola / Assembly

ASSEMBLAGGIO RIDUTTORE
REDUCER ASSEMBLY

0803

<u>RIF. / REF.</u>	<u>NUMERO PARTE PART NUMBER</u>	<u>DESCRIZIONE</u>	<u>DESCRIPTION</u>	<u>Q.TA' / Q.TY</u>
1	00104392	Complessivo riduttore	Complete reductor gear	1
2	00012351	Guarnizione carta	Paper gasket	4
3	11756/20	Guarnizione carta	Paper gasket	2
4	R00.5701	Rondella elastica conica	Washer	12
5	V00.1092	Vite a testa cilindrica	Screw	30
6	00021013	Corona dentata interna rapporto ruotismo 3,5	Toothed crown	1
7	00012352	Coperchio riduttore epicicloidale	Cover	1
8	V00.1091	Vite a testa cilindrica	Screw	12
9	R00.1201	Rondella	Washer	13
10	00010471	Forcella C6	Fork	1
11	00021039	Ranella	Washer	1
12	V00.5572	Vite	Screw 10x1,5x35 10.9	3
13	L00.1784	O-Ring	O-Ring	1
14	00102081	Supporto freno di stazionamento	Support	1
15	R0065014	Rondella elastica ondulata	Washer	3
16	V00.5951	Vite a testa esagonale	Screw	12
17	T00.1475	Tappo vite	Plug	3
18	R0082099	Ranella in rame Øi20 Øe26 sp.1	Copper washer	3
19	.00.4435	Tappo sfiato 1/4" CH 17	Breather plug	1
20	R00.5238	Rondella di fissaggio dentellata	Washer	42
21	D00.1106	Dado	Nut	12
22	00080730	Targhetta per gruppi meccanici	Metal plate	1
24	00102259	Supporto superiore cilindro riduttore	Cylinder support	1
25	00021106	Anello di rasamento	Ring	1
26	X06204RS	Cuscinetti a sfere	Bearing	1



Technomatic**F90 2ST****Tavola / Assembly****0804**MONTAGGIO SUPPORTO DISINSERIMENTO MOTO
DRIVING DISCONNECTION SUPPORT

<u>RIF. / REF.</u>	<u>NUMERO PARTE PART NUMBER</u>	<u>DESCRIZIONE</u>	<u>DESCRIPTION</u>	<u>Q.TA' / Q.TY</u>
1	00021040	Supporto disinserimento moto	Support	1
2	X0006210	Cuscinetto	Bearing	1
3	00012368	Guarnizione carta coperchio uscita moto	Paper seal	1
4	00021043	Coperchio uscita moto	Cover	1
5	R0015401	Rondella elastica ondulata	Washer	8
6	V00.1088	Vite a testa esagonale	Screw	8
7	L00.1744	Anello di tenuta sull'albero	Ring	1
8	00021111	Albero uscita anteriore	Output shaft	1
9	00021109	Boccola	Bushing	1
10	00010471	Forcella C6	Fork	1
11	L00.1784	O-Ring	O-Ring	1
12	00021039	Ranella	Washer	1
13	V00.5572	Vite	Screw 10x1,5x35 10.9	3
14	00021089	Perno forcella riduttore	Pin	1
15	00065109	Linguetta a disco	Spline	1
16	00021087	Forcella innesto sincronizzatore	Bushing	1
17	00021091	Boccola per perno riduttore epicicloidale	Bushing	1
18	11756/05	Spessore di registrazione per forcella riduttore	Thickness	1
19	00065111	Linguetta a disco	Spline	2
20	00021110	Sincronizzatore (ricavare da barra fucinata)	Synchronizer	1
21	L00.1787	Paraolio 16x24x5 normale	Oil seal	1
22	R0065014	Rondelle elastiche	Washer	3
23	6772	Anello di spallamento	Seal ring	1
24	00021088	Pattino per forcella	Sliding block	2
25	R00.5238	Rondella elastica conica	Washer	1
26	D0002582	Dado esagonale	Nut	1
27	00102286	Leva comando	Lever	1



F90 2ST

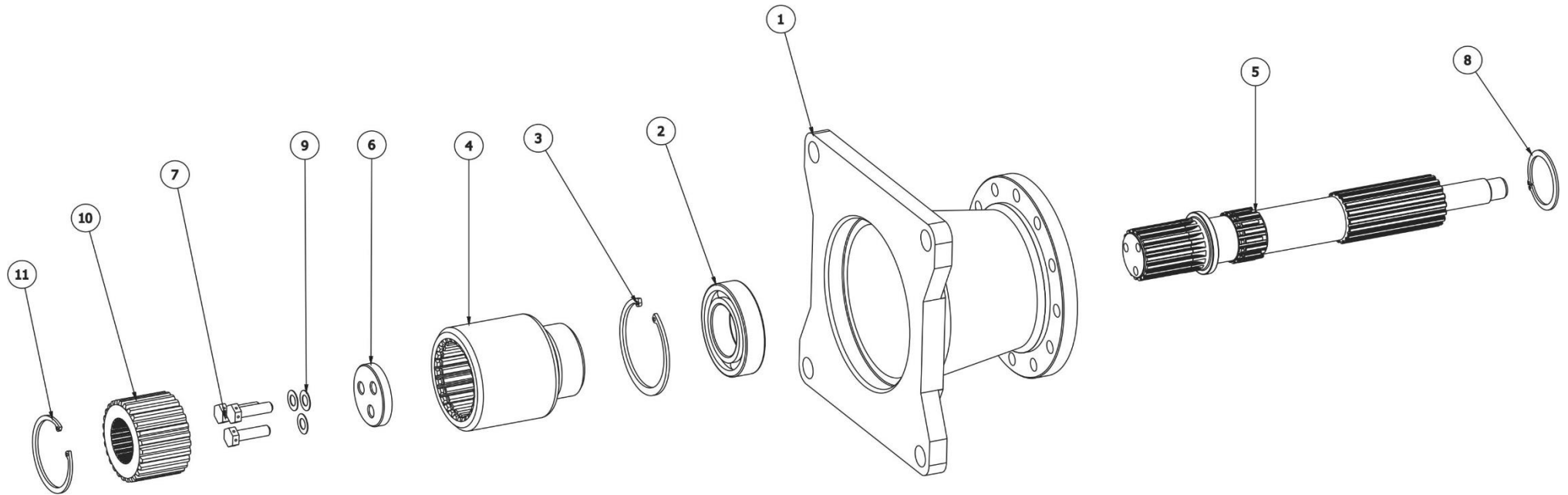
Tavola / Assembly

0805

MONTAGGIO SCATOLA ROTISMO EPICICLOIDALE SUPERIORE
UPPER GEARTINGS HOUSING

<u>RIF. / REF.</u>	<u>NUMERO PARTE PART NUMBER</u>	<u>DESCRIZIONE</u>	<u>DESCRIPTION</u>	<u>Q.TA' / Q.TY</u>
1	00021009	Scatola riduttore epicicloidale superiore	Case	1
2	X0006019	Cuscinetto	Bearing	2
3	S00.4640	Anello elastico di arresto	Elastic ring	1
4	S00.4641	Anello elastico di arresto	Elastic ring	1
5	00021101	Perno portasatellite	Pin	3
6	R0065005	Rondella di fissaggio dentellata	Washer	12
7	V00.1088	Vite a testa esagonale	Screw	12
8	00021102	Distanziale per cuscinetto su portasatelliti	Spacer	6
9	00021106	Anello di rasamento	Ring	1
10	00021103	Satellite	Gear	3
11	S00.4576	Anello elastico di arresto	Fixing ring	3
12	00021097	Distanziale per cuscinetto su fusello del riduttore	Spacer	1
13	00012353	Piastrina per livello olio epicicloidale; transfer F90-F90C	Plate	1
14	00021087	Forcella innesto sincronizzatore	Fork	1
15	00021089	Perno forcella riduttore	Pin	1
16	00065109	Linguetta a disco	Spline	1
17	00065111	Linguetta a disco	Spline	2
18	00021091	Boccola per perno riduttore epicicloidale	Bushing	1
19	11756/05	Spessore di registrazione per forcella riduttore	Thickness	1
20	R0065018	Rondella di fissaggio dentellata	Washer	2
21	V1011400	Vite	Screw	2
22	00021095	Sincronizzatore secondario	Sincronizer	1
23	00021100	Planetario rapporto ruotismo	Planetary gear	1
24	L00.1787	Paraolio	Oil seal	1
25	00021088	Pattino per forcella	Sliding block	2

26	X0006205	Cuscinetto	Bearing	6
27	00103947	Fusello	Spindle	1
28	00103948	Sincronizzatore primario	First synchronizer	1
30	7365/Y	Leva comando rinvio a 2 velocità	Lever	1
31	R00.5238	Rondella elastica conica	Elastic ring	1
32	D0002582	Dado esagonale	Nut	1





F90 2ST

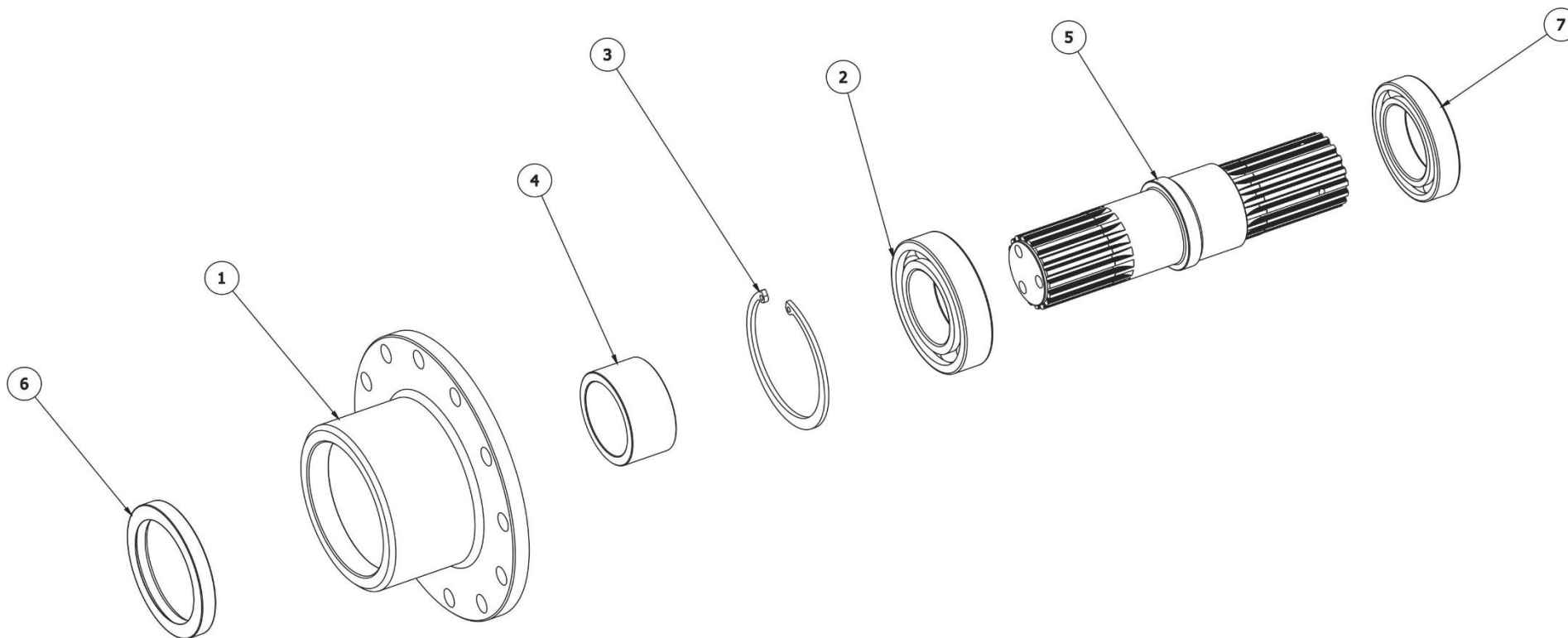
Tavola / Assembly

0806

MONTAGGIO COLLEGAMENTO MOTORE H1B 250

CONNECTION TO H1B 250 MOTOR

<u>RIF. / REF.</u>	<u>NUMERO PARTE PART NUMBER</u>	<u>DESCRIZIONE</u>	<u>DESCRIPTION</u>	<u>Q.TA' / Q.TY</u>
1	00104393	Supporto motore DANFOSS H1 250 su riduttore	Motor support	1
2	X0006210	Cuscinetto	Bearing	1
3	S00.4639	Anello elastico di arresto	Seeger Ring	1
4	9378	Manicotto esterno di trascinamento	Sleeve	1
5	00096754	Albero primario per transfer riduttore	Main shaft	1
6	00021039	Ranella per albero supporto centrale	Washer	1
7	V00.5572	Vite	Screw 10x1,5x35 10.9	3
8	S00.4642	Anello elastico di arresto	Seeger ring	1
9	R0065014	Rondelle elastiche ondulate	Washer	3
10	00102580	Manicotto interno di trascinamento per motore	Sleeve	1
11	S00.4671	Anello elastico di arresto	Elastic ring	1





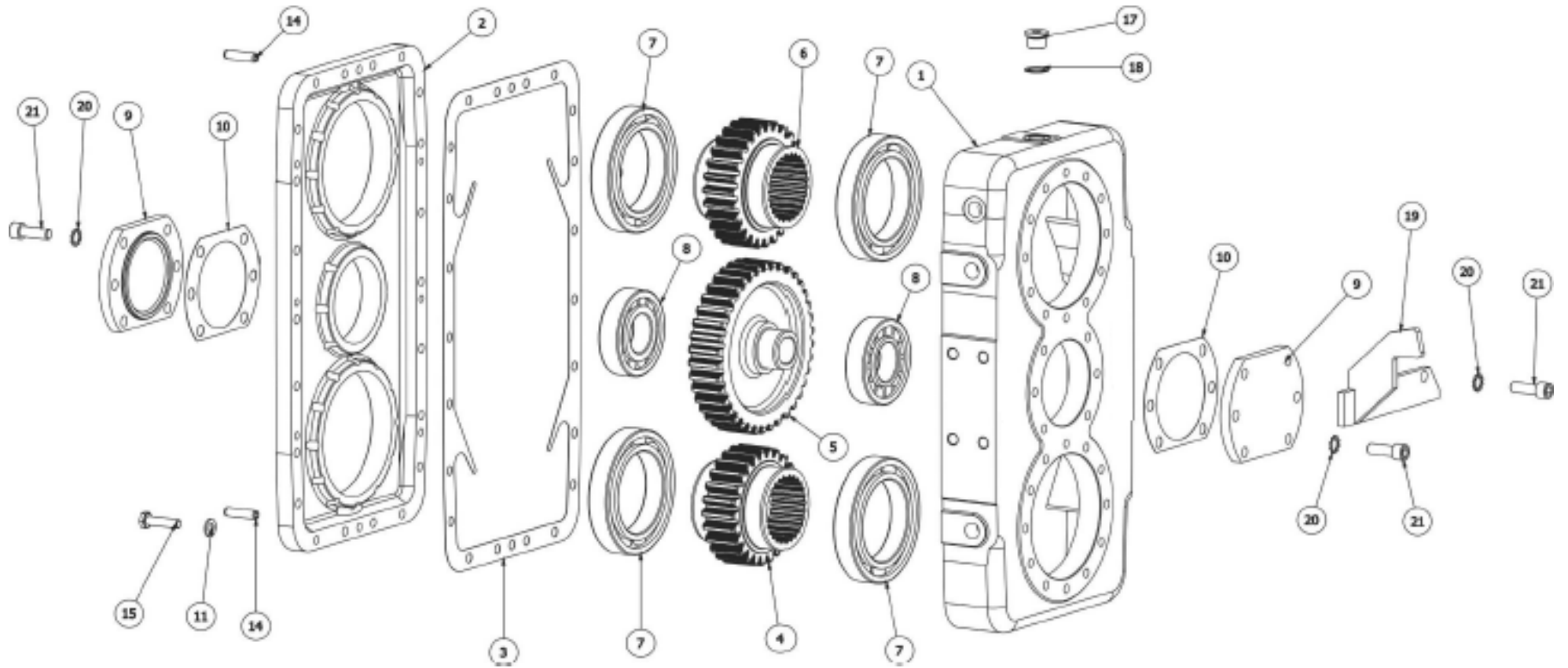
F90 2ST

Tavola / Assembly

0807

MONTAGGIO COPERCHIO POSTERIORE
REAR COVER MOUNTING

<u>RIF. / REF.</u>	<u>NUMERO PARTE</u> <u>PART NUMBER</u>	<u>DESCRIZIONE</u>	<u>DESCRIPTION</u>	<u>Q.TA' / Q.TY</u>
1	00104456	Coperchio	Cover	1
2	X0006210	Cuscinetto	Bearing	1
3	S00.4639	Anello elastico di arresto	Elastic ring	1
4	00104455	Distanziale per ripartitore	Spacer	1
5	021113/1	Albero uscita posteriore con attacco cronotachigrafo	Output shaft	1
6	L00.1744	Anello di tenuta sull'albero	Retainer ring	1
7	X0006010	Cuscinetto	Bearing	1





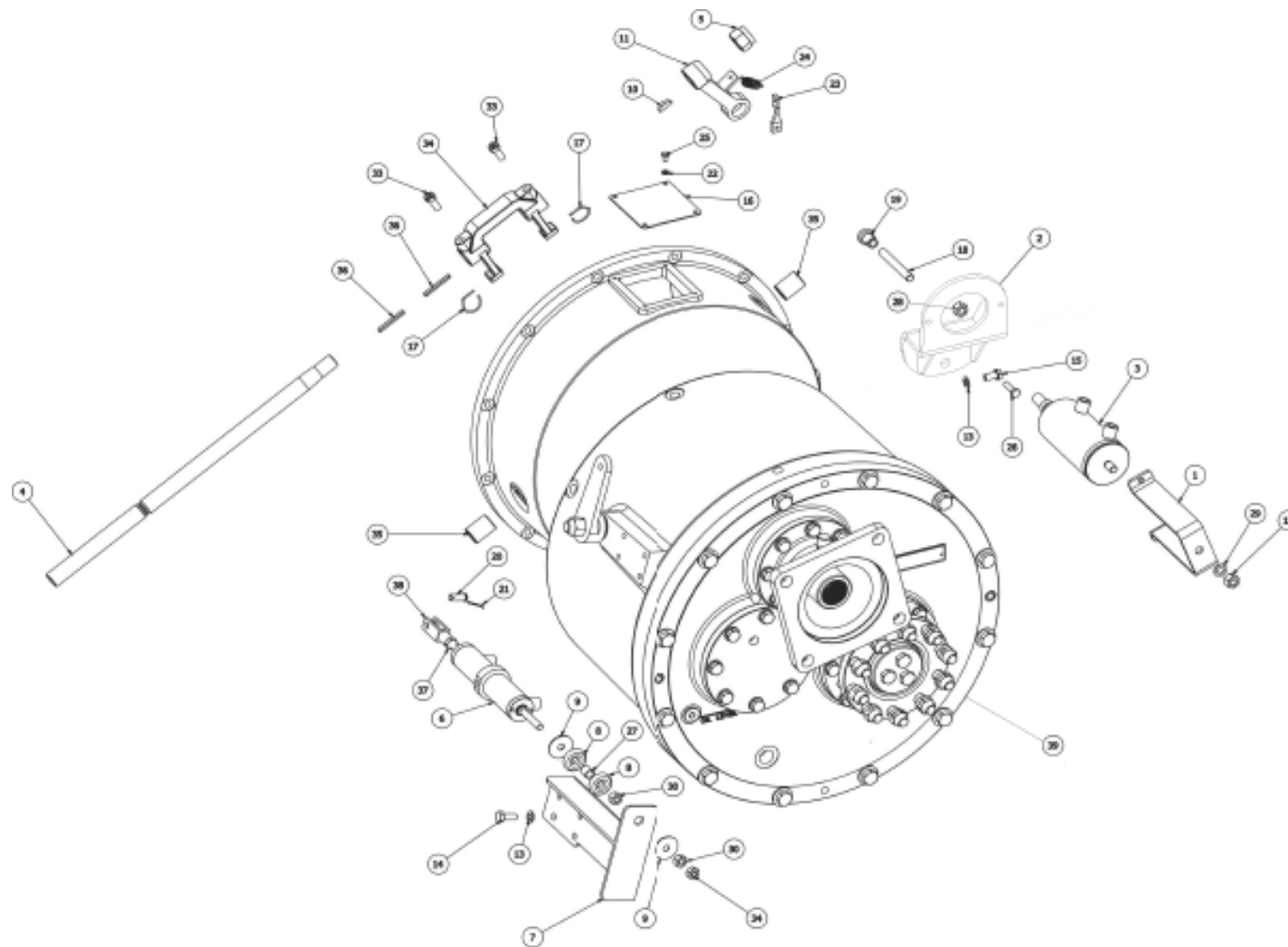
F90 2ST

Tavola / Assembly

0808

MONTAGGIO SCATOLA RIDUTTORE VELOCE
TRANSFER REDUCER CASE ASSEMBLY

<u>RIF. / REF.</u>	<u>NUMERO PARTE PART NUMBER</u>	<u>DESCRIZIONE</u>	<u>DESCRIPTION</u>	<u>Q.TA' / Q.TY</u>
1	00021002	Semiscatola riduttore	Transfer reductor case	1
2	00021003	Coperchio riduttore	Cover	1
3	00021004	Guarnizione carta coperchio riduttore	Paper seal	1
4	8311/A	Ingranaggio terziario condotto	Third driven gear	1
5	00021108	Ingranaggio centrale riduttore	Central gear	1
6	8314/A	Ingranaggio condotto o conduttore	Gear	1
7	X0006019	Cuscinetto	Bearing	4
8	X00NJ309	Cuscinetti a rulli cilindrici a fila singola	Bearing	2
9	00021047	Coperchio centrale riduttore	Cover	2
10	11756/25	Guarnizione carta per coperchio centrale riduttore	Paper seal	2
11	R00.5702	Rondella elastica conica	Washer	22
14	00081502	Spina elastica	Pin	2
15	V00.1040	Vite a testa esagonale	Screw	22
*	00080730	Targhetta per gruppi meccanici	Plate	1
17	T00.1475	Tappo vite	Plug	7
18	R0082099	Ranella in rame	Washer	7
19	00102276	Supporto inferiore cilindro riduttore	Support	1
20	R00.5238	Rondella di fissaggio dentellata	Washer	12
21	V00.1092	Vite a testa cilindrica	Screw	12





F90 2ST

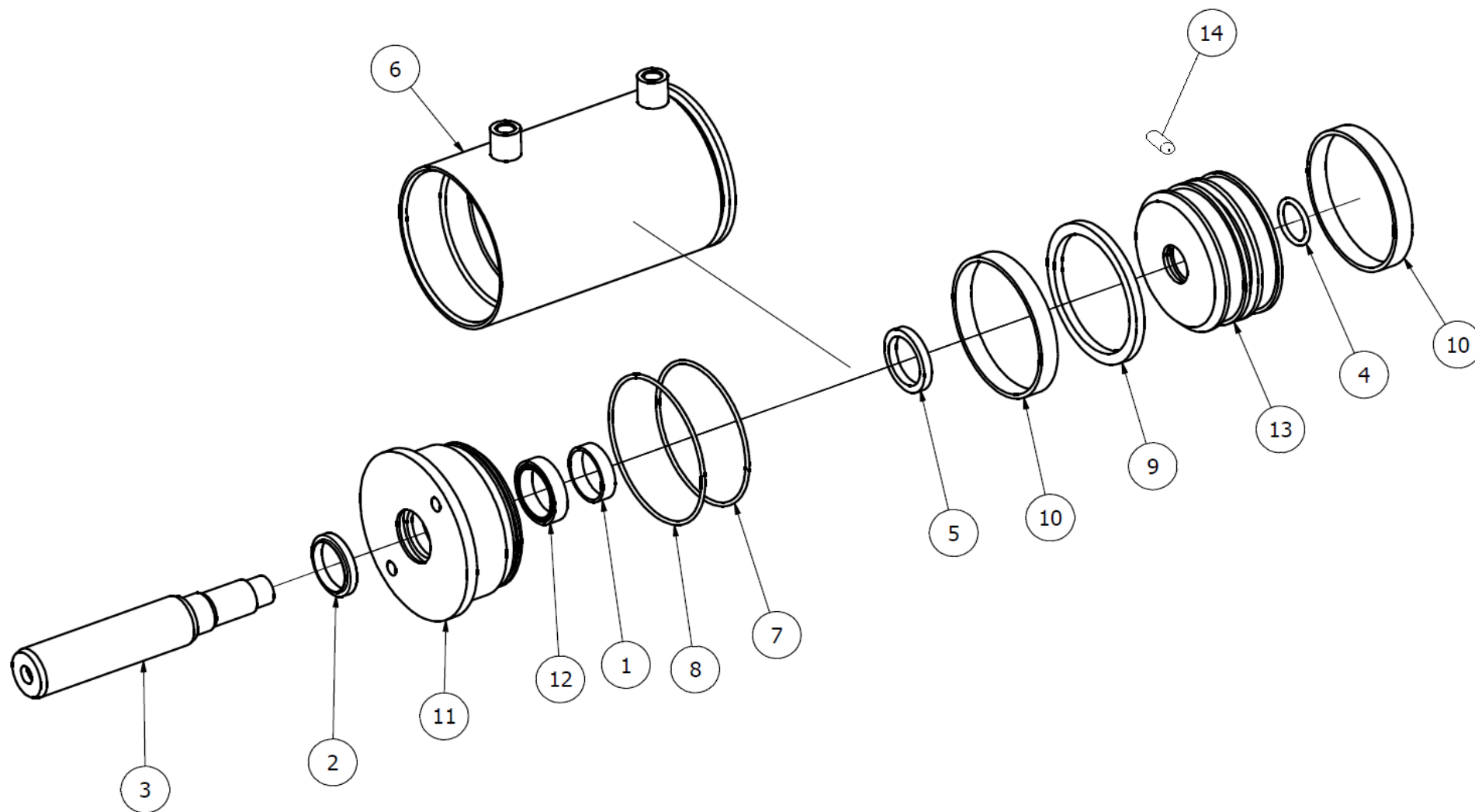
Tavola / Assembly

0901

MONTAGGIO CILINDRI E FORCELLA FRIZIONE
CLUTCH CYLINDERS AND FORK MOUNTING

<u>RIF. / REF.</u>	<u>NUMERO PARTE PART NUMBER</u>	<u>DESCRIZIONE</u>	<u>DESCRIPTION</u>	<u>Q.TA' / Q.TY</u>
1	00110360	Supporto cilindro comando frizione	Cylinder support	1
2	00110358	Supporto cilindro comando frizione	Cylinder support	1
3	00110358	Complessivo cilindro comando frizione	Clutch control cylinder	1
4	00104814	Albero per forcella frizione con boccole autolubrificanti	Shaft	1
5	00102250	Dado esagonale	Nut	1
6	FL00101443	Cilindro azionamento rinvio 2 velocità	Cylinder	1
7	00092108	Supporto cilindro azionamento rinvio	Cylinder support	1
8	010239/2	Tampone	Bumper	2
9	R00.5267	Ranella grembialino	Washer	2
10	00082843	Linguetta a disco	Spline	1
11	00107042	Forcella esterna per frizione motore	Fork	1
12	D0011744	Dado esagonale	Nut	1
13	R00.5702	Rondella	Washer	8
14	V0011749	Vite a testa esagonale	Screw	4
15	V4017419	Vite a testa esagonale	Screw	4
16	00102358	Coperchietto carter frizione	Cover	1
17	04702295	Fermo forcella frizione cod.04702295	Fork fixing	2
18	00109543	Tirante per cilindro frizione	Tie rod	1
19	9423	Dadi registro	Adjusting nut	1
20	00010804	Pernetto dia.10 L=25	Pin	1
21	C00.1327	Coppiglia	Split pin	1
22	R00.6322	Rondella	Washer	4
23	00087667	Piastrina per molla leva frizione	Plate	1
24	00065434	Molla D2 rit. leva cilindro frizione	Spring	1
25	V1011400	Vite a testa esagonale	Screw	4
26	V0011577	Vite a testa esagonale	Screw	2

27	00102340	Distanziale	Spacer	1
28	D00.1116	Dado esagonale	Nut	2
29	R1011204	Rondella elastica	Washer	1
30	D4017475	Dado esagonale	Nut	3
33	V00.7095	Vite forata	Screw	2
34	00104521	Forcella per frizione	Clutch fork	1
35	00104804	Boccola glycodur	Bushing	2
36	.00.7088	Chiavetta parallela	Spline	2
37	D00.1134	Dado	Nut	1
38	00010803	Forcellino fil.	Fork	1
39	000866/5	Rinvio a 2 velocità	Two speed back gear	1



F90 2ST

Tavola / Assembly

0901A

COMPLESSIVO CILINDRO COMANDO FRIZIONE

CLUTCH CONTROL CYLINDER

00110358

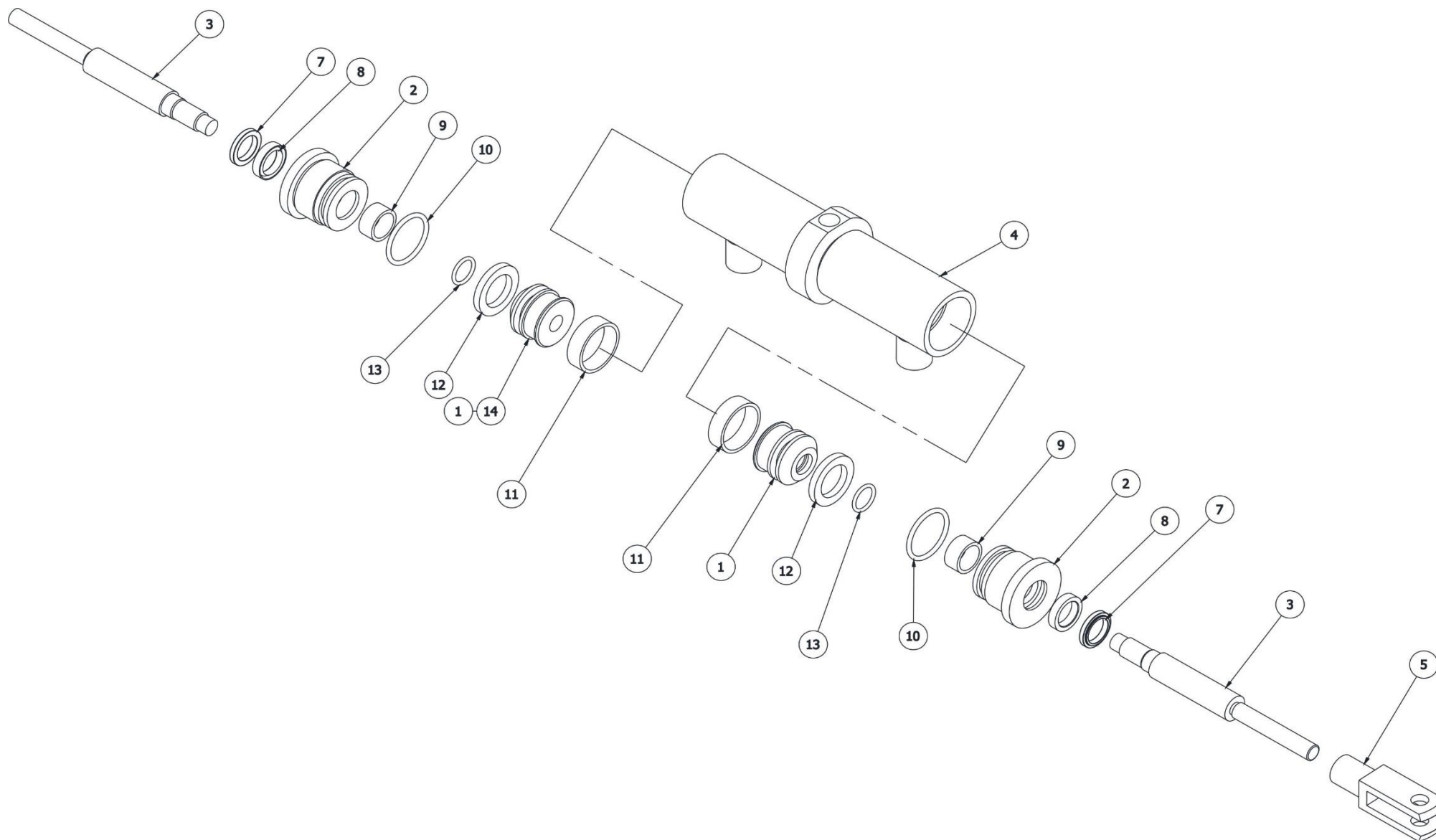
<u>RIF. / REF.</u>	<u>NUMERO PARTE PART NUMBER</u>	<u>DESCRIZIONE</u>	<u>DESCRIPTION</u>	<u>Q.TA' / Q.TY</u>
1	L01780/3	Anello guidastelo FI 35	Rod guide	1
2	L01780/2	Raschiatore SA 35	Scraper SA35	1
3	00110363	Stelo d.35	Rod d.35	1
4	L00.7146	Anello OR 215 AS4106	OR ring	1
5	00107220	Limitatore	Limiter	1
6	00110356	Canna d.100	Cylinder barrel	1
7	L00.7156	Anello OR 154	OR ring 154	1
8	L00.7157	Anello OR 155	OR ring 155	1
9	L00.7154	Tenututa stelo Ø100	Rod seal	1
10	L00.7155	Fascia guida FE	Guide band	2
11	2FR000206	Testata	Head plate	1
12	L00.7153	Tenuta stelo	Seal ring	1
13	2FR000205	Pistone	Piston	1
14	.00.6878	Grano 6x16	Pin 6x16	1

* Kit guarnizioni / Gaskets kit S/N. **2FR000220**

09 - RINVIO A DUE VELOCITA' / TWO SPEED BACK GEAR

CILINDRO AZIONAMENTO RINVIO 2 VELOCITA'
TWO SPEED BACK GEAR CYLINDER

TAV.0901B





F90 2ST

Tavola / Assembly

0901B

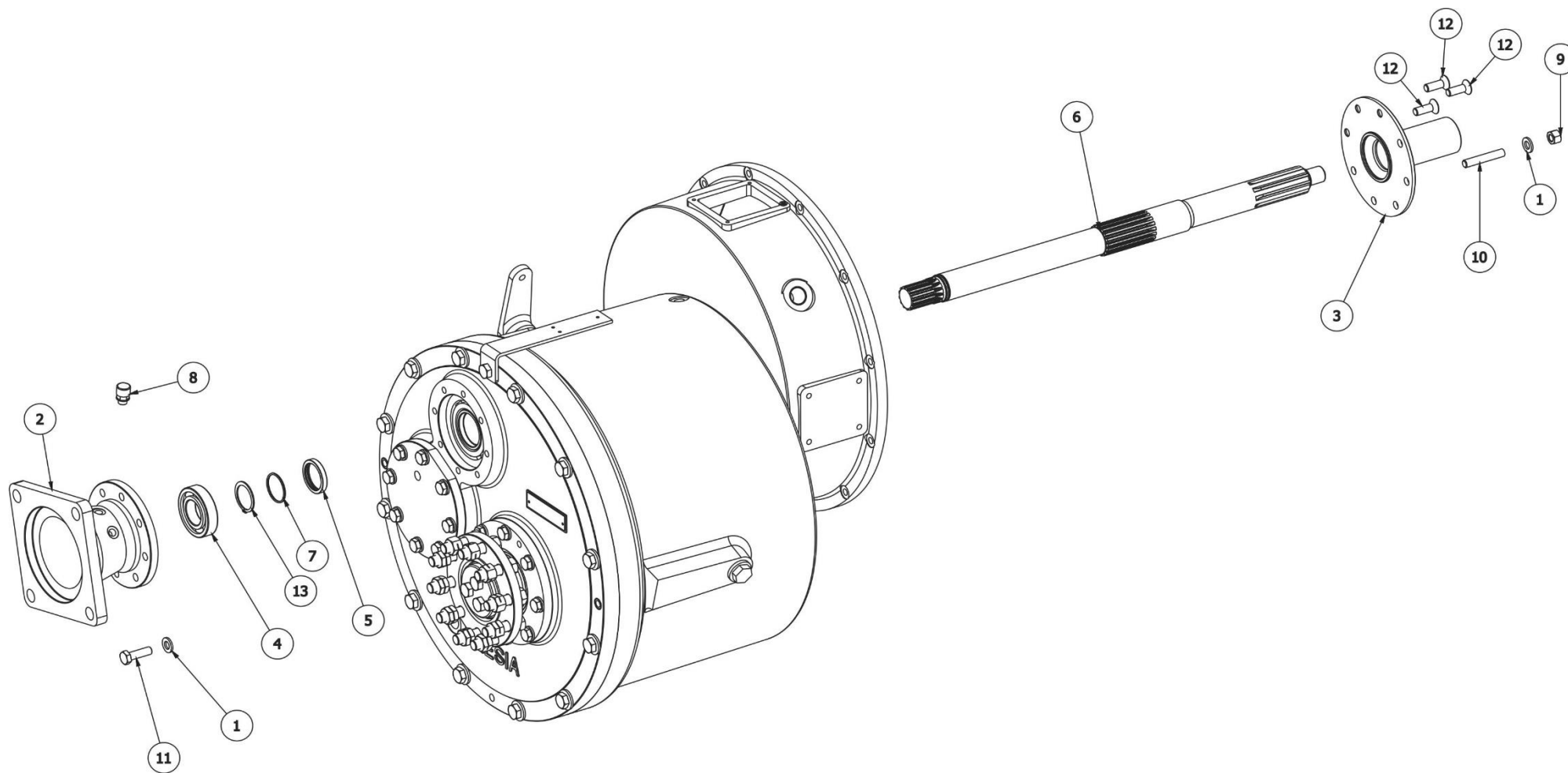
CILINDRO AZIONAMENTO RINVIO 2 VELOCITA'

TWO SPEED BACK GEAR CYLINDER

FL00101443

<u>RIF. / REF.</u>	<u>NUMERO PARTE PART NUMBER</u>	<u>DESCRIZIONE</u>	<u>DESCRIPTION</u>	<u>Q.TA' / Q.TY</u>
1	2FR000005	Pistone	Piston	2
2	2FR000006	Testata anteriore	Head nut	2
3	2FR000052	Stelo	Rod	2
4	2FR000074	Camicia	Housing	1
5	00010803	Forcella	Fork	1
7*	L00.7147	Raschiatore SAF 16	Scraper	2
8*	L00.7148	Guarnizione A 16 22 5	Gasket	2
9*	L00.5030	Fascia guida FI 16	Band	2
10*	L00.7149	Anello OR 122	OR ring	2
11*	L00.7152	Fascia guida FE 32	Band	2
12*	L00.7151	Guarnizione KPD 32 21 4.2	Gasket	2
13*	L00.7150	Anello OR 014	OR ring	2
14	.00.0706	Grano 6x6	Pin	2

Kit guarnizioni / Gaskets kit S/N. **2FR000020**





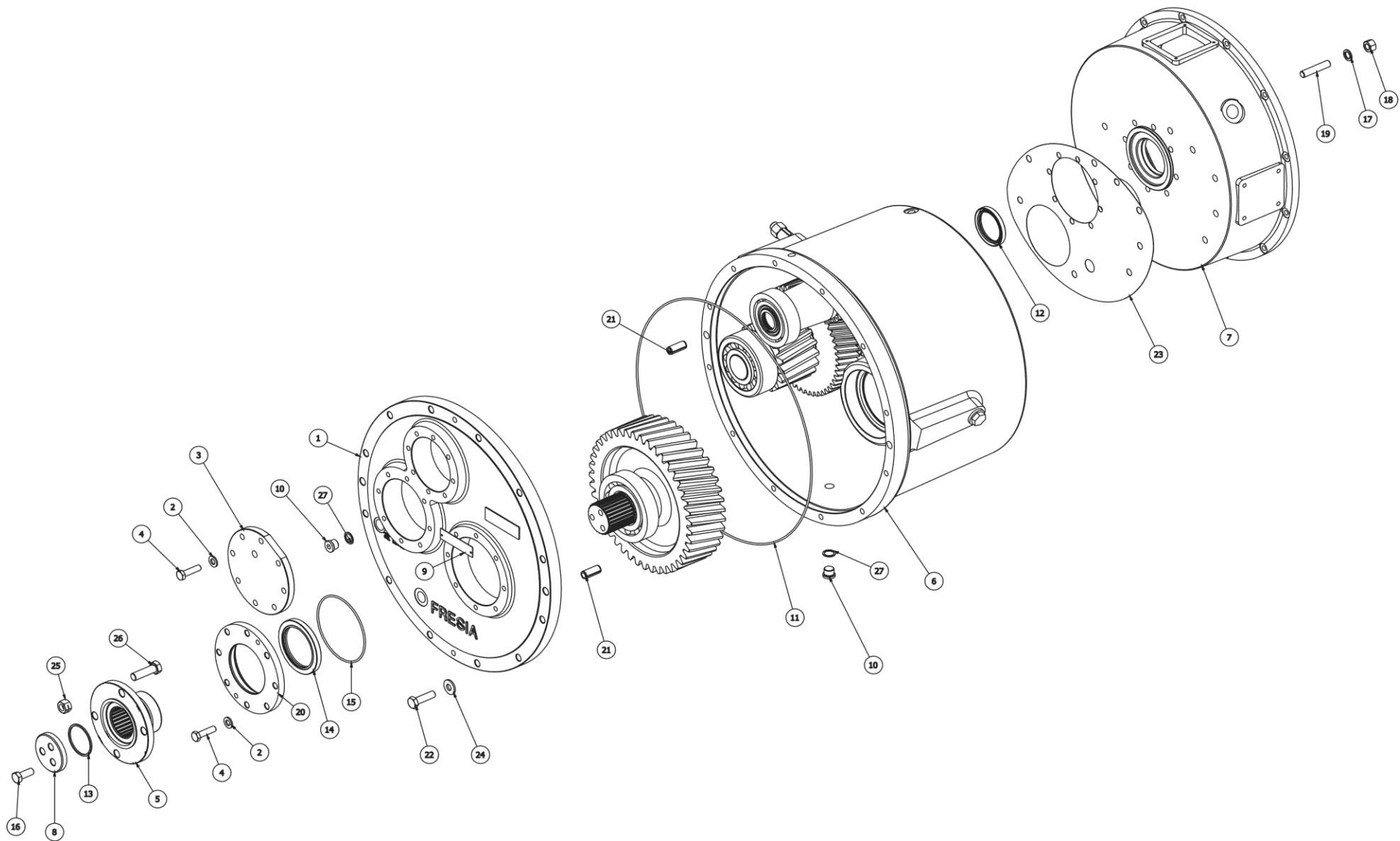
F90 2ST

Tavola / Assembly

0902

MONTAGGIO COPERCHI ESTERNI E ALBERO
EXTERNAL COVER AND SHAFT MOUNTING

<u>RIF. / REF.</u>	<u>NUMERO PARTE PART NUMBER</u>	<u>DESCRIZIONE</u>	<u>DESCRIPTION</u>	<u>Q.TA' / Q.TY</u>
1	R00.5701	Rondella elastica conica	Washer	8
2	00098073	Supporto per pompa Sauer-Danfoss	Pump support	1
3	00097714	Supporto manicotto frizione	Clutch sleeve support	1
4	X0006208	Cuscinetto	Bearing	1
5	00012502	Pastiglia con sede per OR	Pad	1
6	00107106	Albero conduttore	Driving shaft	1
7	L00.5309	Anello OR	O-ring	1
8	.00.4435	Tappo sfiato 1/4"	Breather plug 1/4"	1
9	D1011452	Dado esagonale	Nut	6
10	P0011735	Prigioniero	Stud bolt	5
11	V00.6422	Vite a testa esagonale	Screw	8
12	V00.5153	Vite svasata	Screw	3
13	S00.5479	Anello elastico di arresto	Seeger ring	1





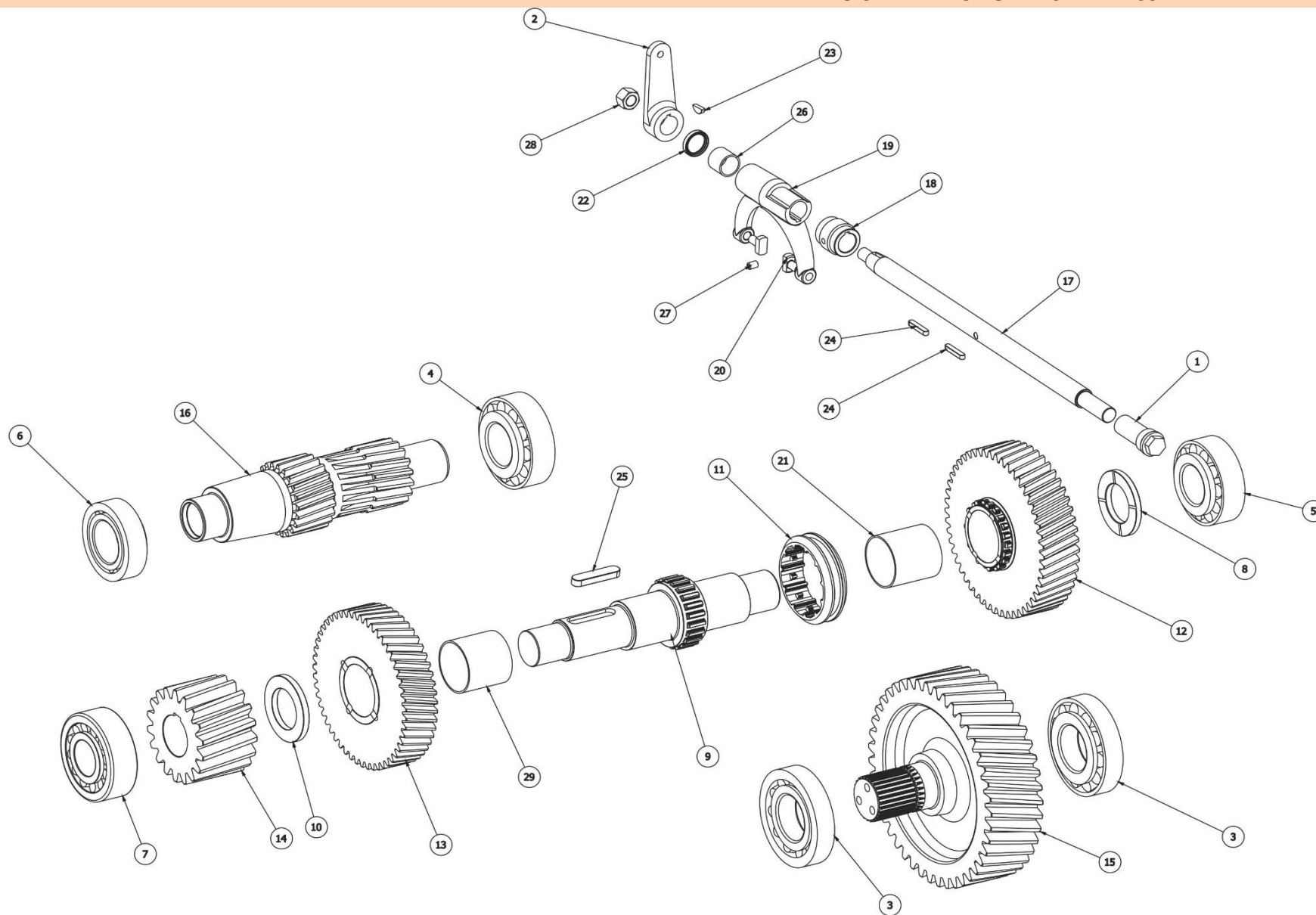
F90 2ST

Tavola / Assembly

0903

MONTAGGIO COPERCHI ESTERNI E ALBERO
EXTERNAL COVER AND SHAFT MOUNTING

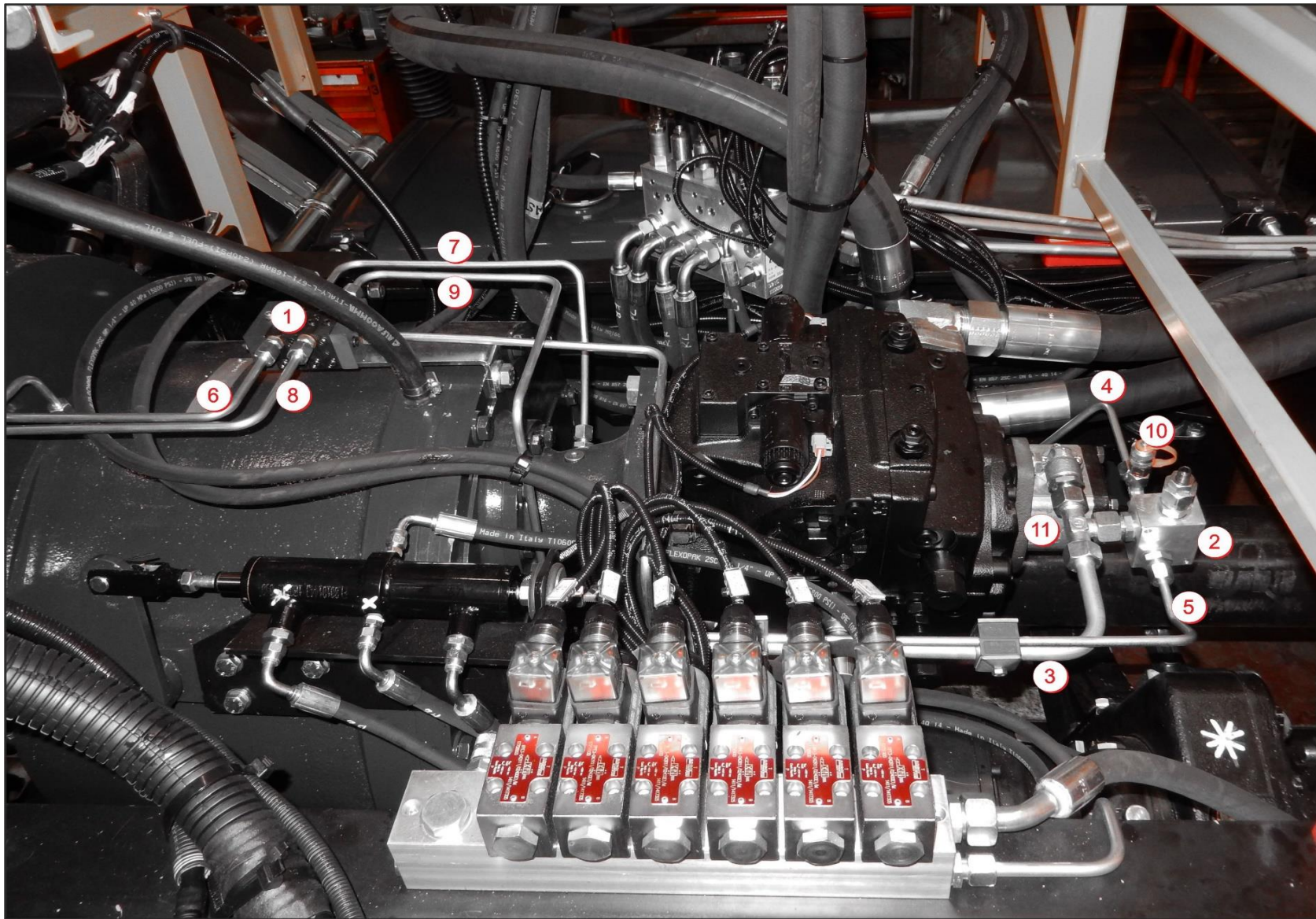
<u>RIF. / REF.</u>	<u>NUMERO PARTE PART NUMBER</u>	<u>DESCRIZIONE</u>	<u>DESCRIPTION</u>	<u>Q.TA' / Q.TY</u>
1	00083268	Coperchio per scatola.	Cover	1
2	R00.5701	Rondella elastica conica	Washer	29
3	00082847	Coperchietto centrale di chiusura	Cover	1
4	V00.5149	Vite a testa esagonale	Screw	16
5	00108820	Flangia	Flange	1
6	00083267	Scatola per rinvio 2 velocità	Case	1
7	00083266	Carter frizione	Carter	1
8	00083292	Ranella per albero supporto intermedio	Washer	1
9	00080730	Targhetta per gruppi meccanici	Metal plate	1
10	T00.1475	Tappo vite	Plug	2
11	L00.6379	Anello OR per scatola rinvio 2ST	Or ring	1
12	L0031526	Paraolio	Oil seal	1
13	L00.1759	Anello OR	Or ring	1
14	L00.5431	Paraolio	Oil seal	1
15	00087181	Anello OR	Or ring	1
16	V00.1056	Vite a testa esagonale	Screw	3
17	R00.6175	Rondella elastica	Washer	7
18	D4017474	Dado esagonale	Nut	7
19	P0011735	Prigioniero	Stud bolt	7
20	00083290	Coperchietto portaparaolio per supporto	Cover	1
21	00090994	Spina cilindrica	Pin	2
22	V00.1059	Vite a testa esagonale	Screw	12
23	00104569	Guarnizione carta per rinvio 2 velocità	Gasket	1
24	R00.5649	Ranella conica	Washer	12
25	D00.6061	Dado	Nut	10
26	V00.7093	Vite a testa esagonale	Screw	10
27	R0082099	Ranella	Copper washer	2



Technomatic**F90 2ST****Tavola / Assembly****0904**MONTAGGIO ALBERI INTERNI RINVIO
TWO SPEED BACK GEAR SHAFT ASSEMBLY

<u>RIF. / REF.</u>	<u>NUMERO PARTE PART NUMBER</u>	<u>DESCRIZIONE</u>	<u>DESCRIPTION</u>	<u>Q.TA' / Q.TY</u>
1	00065084	Boccola albero comando forcella frizione	Bushing	1
2	00084569	Leva per rinvio turbina a doppio stadio	Lever	1
3	X0030314	Cuscinetti a fila singola a rulli rastremati	Bearing	2
4	X0032313	Cuscinetti a fila singola a rulli rastremati	Bearing	1
5	X0032312	Cuscinetti a fila singola a rulli rastremati	Bearing	1
6	X0033213	Cuscinetti a fila singola a rulli rastremati	Bearing	1
7	X0006381	Cuscinetto	Bearing	1
8	00082840	Anello di rasamento ingranaggio 1° velocità	Shim ring	1
9	00082835	Albero intermedio	Middle shaft	1
10	00082839	Anello di rasamento ingranaggio 2° velocità	Shim ring	1
11	00840921	Manicotto scorrevole	Sliding sleeve	1
12	00082837	Ingranaggio condotto 1° velocità	Gear (1st speed)	1
13	00082836	Ingranaggio condotto 2° velocità	Gear (2nd speed)	1
14	00096348	Pignone	Pinion	1
15	00096349	Ingranaggio finale di uscita moto	Gear	1
16	00082832	Ingranaggio conduttore	Driving gear	1
17	00082841	Albero per forcella	Shaft	1
18	00082844	Manicotto di spallamento forcella rinvio a 2 velocità	Ring	1
19	00082845	Forcella per manicotto scorrevole	Fork	1
20	00083137	Pattino per forcella manicotto scorrevole	Sliding element	2
21	00083034	Boccola GLY PG 758080F	Bushing	1
22	L0031526	Anello di tenuta sull'albero	Fixing ring	1
23	00082843	Linguetta a disco	Spline	1
24	00082842	Chiavetta parallela	Key	2
25	.00.5638	Chiavetta parallela	Key	1
26	00082850	Boccola Teflon	Bushing	1

27	00082849	Vite con esagono incassato	Screw	1
28	D00.1121	Dado esagonale	Nut	1
29	00102360	Boccola per ingranaggio condotto 2° velocità	Bushing	1

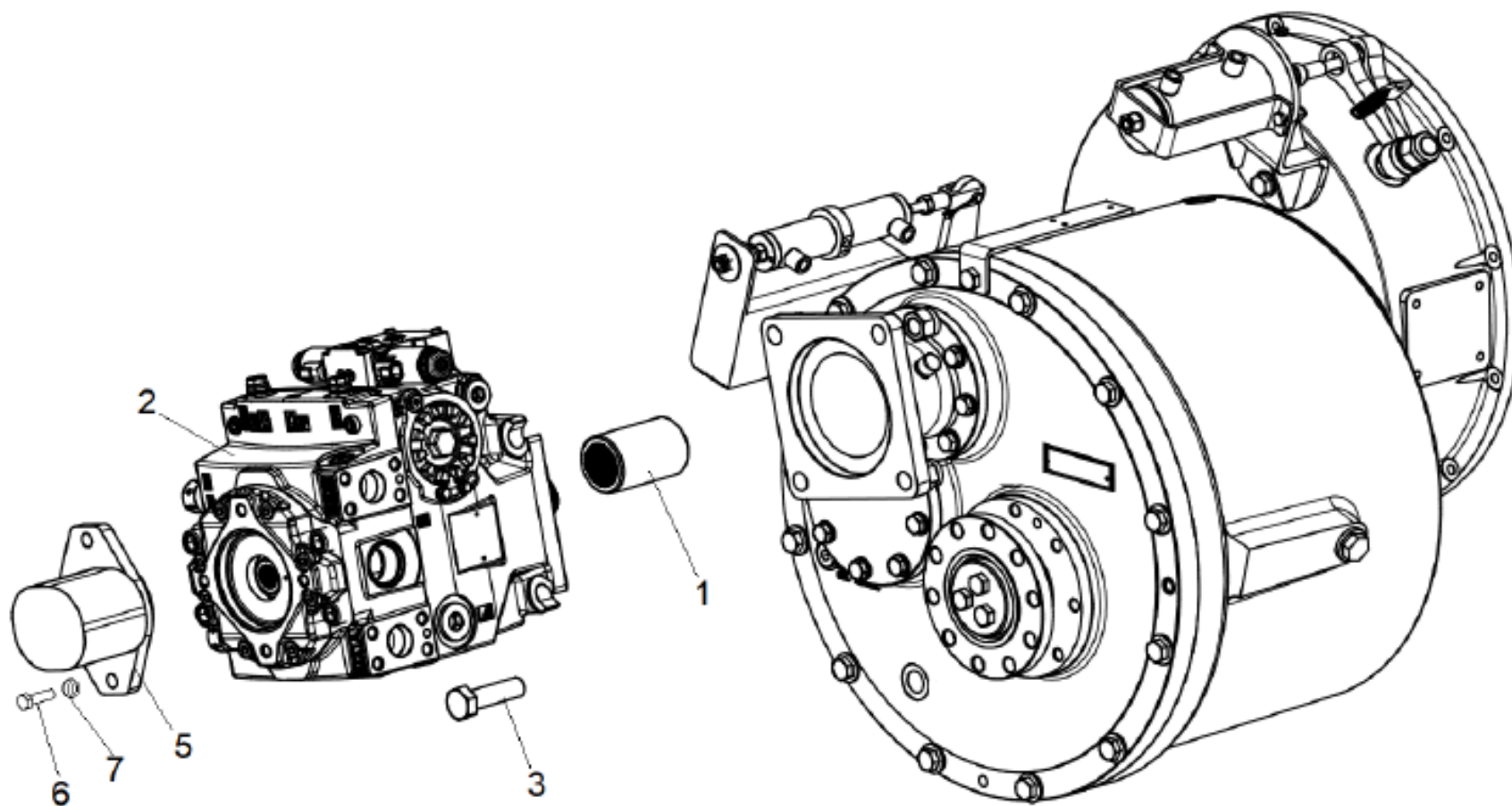


Technomatic**F90 2ST**

Tavola / Assembly

0905LUBRIFICAZIONE RINVIO
TWO SPEED BACK GEAR LUBRICATION

<u>RIF. / REF.</u>	<u>NUMERO PARTE PART NUMBER</u>	<u>DESCRIZIONE</u>	<u>DESCRIPTION</u>	<u>Q.TA' / Q.TY</u>
1	00104863	Distributore	Distributor	2
2	00106095	Valvola di massima pressione	High pressure valve	1
3	00104848	Tubo ferro D.15	Iron pipe D.15	1
4	00104849	Tubo ferro	Iron pipe	1
5	00104850	Tubo ferro	Iron pipe	1
6	00104851	Tubo ferro	Iron pipe	1
7	00104852	Tubo ferro	Iron pipe	1
8	00104853	Tubo ferro	Iron pipe	1
9	00104854	Tubo ferro	Iron pipe	1
10	A00.5627	Presa di pressione 8 mm	Pressure check	1
11	00091271	Pompa di lubrificazione	Lubrication pump	1





F90 2ST

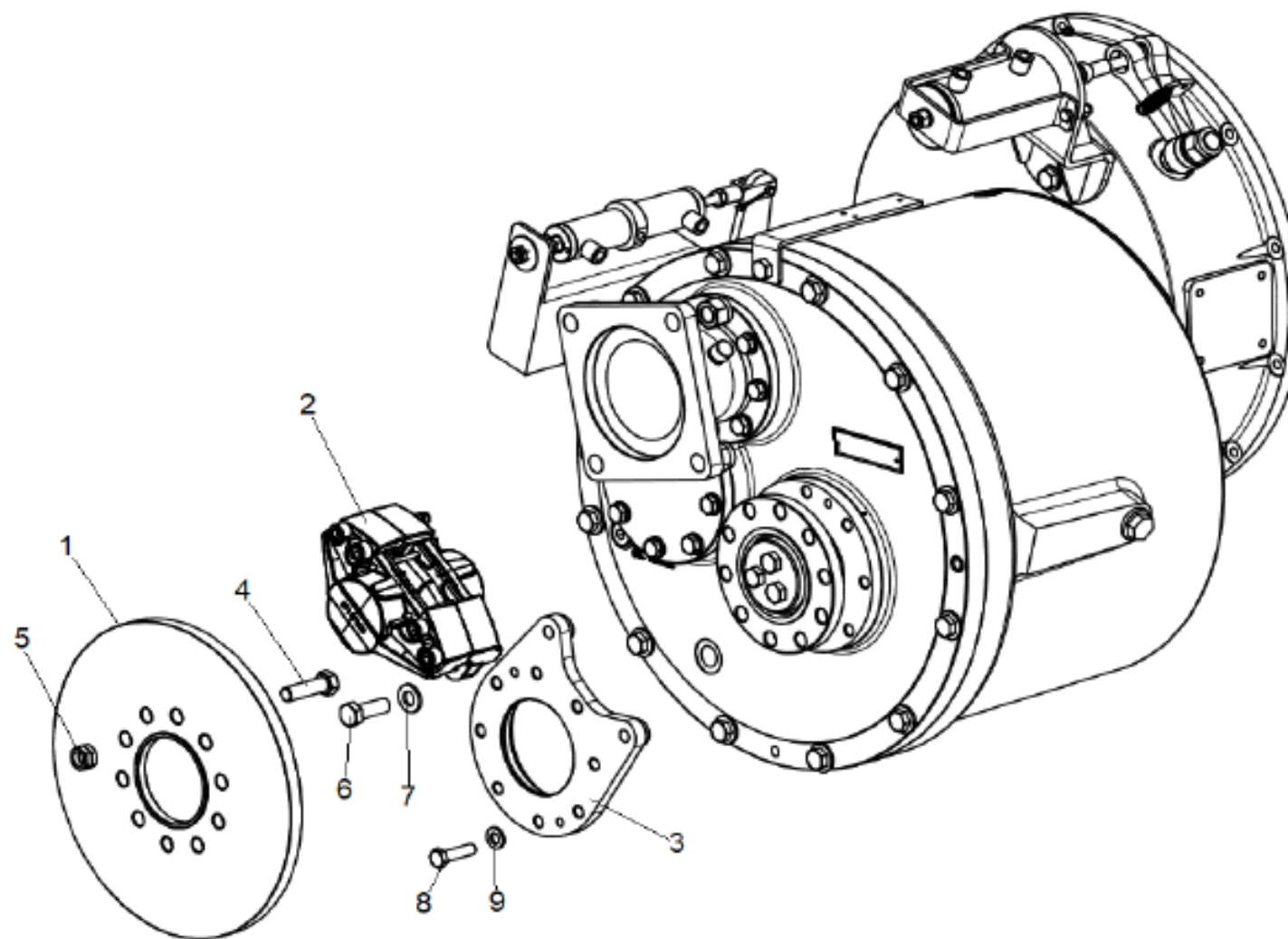
Tavola / Assembly

0906

MONTAGGIO POMPA DANFOSS SU RINVIO A 2 VELOCITA'

DANFOSS PUMP MOUNTING ON 2 SPEED BACK GEAR

<u>RIF. / REF.</u>	<u>NUMERO PARTE PART NUMBER</u>	<u>DESCRIZIONE</u>	<u>DESCRIPTION</u>	<u>Q.TA' / Q.TY</u>
1	00098074	Manicotto di accoppiamento	Coupling sleeve	1
2	00104275	Pompa Danfoss	Danfoss pump	1
3	V00.5206	Vite	Screw	4
4	D00.6056	Dado	Nut	4
5	Tav. 0905	Pompa di lubrificazione	Lubricating pump	1
6	V00.5167	Vite	Screw	2
7	R00.5649	Rondella	Washer	2





F90 2ST

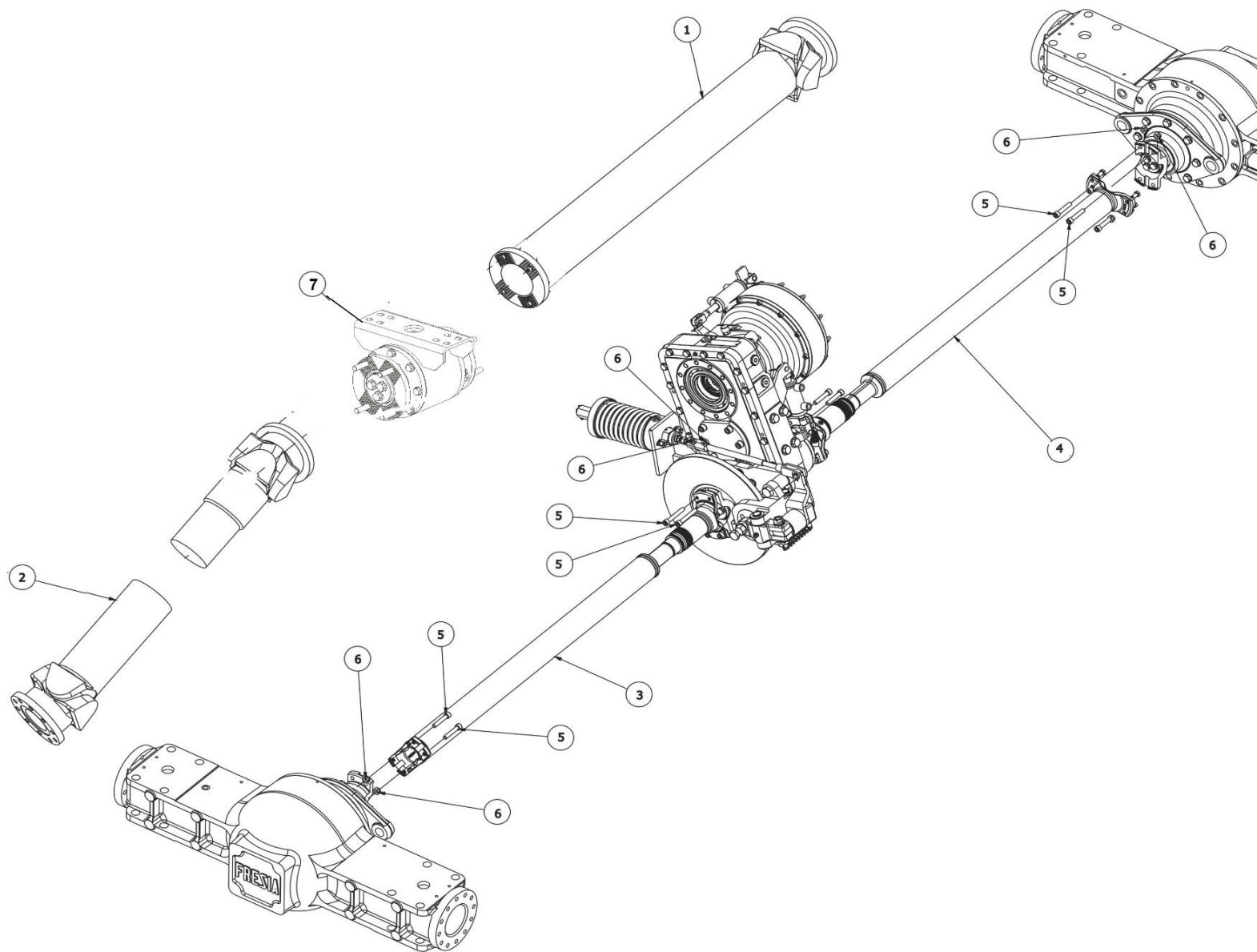
Tavola / Assembly

0907

FRENO DI SICUREZZA (OPTIONAL)

SAFETY BRAKE (OPTIONAL)

<u>RIF. / REF.</u>	<u>NUMERO PARTE PART NUMBER</u>	<u>DESCRIZIONE</u>	<u>DESCRIPTION</u>	<u>Q.TA' / Q.TY</u>
1	00098886	Disco freno	Brake disc	1
2	00003050	Pinza freno	Caliper	1
3	00098889	Supporto	Support	1
4	V00.7093	Vite	Screw	10
5	D00.6061	Dado	Nut	10
6	V00.5606	Vite	Screw	2
7	R00.5676	Rondella	Washer	2
8	V00.5149	Vite	Screw	8
9	R00.5701	Rondella	Washer	8

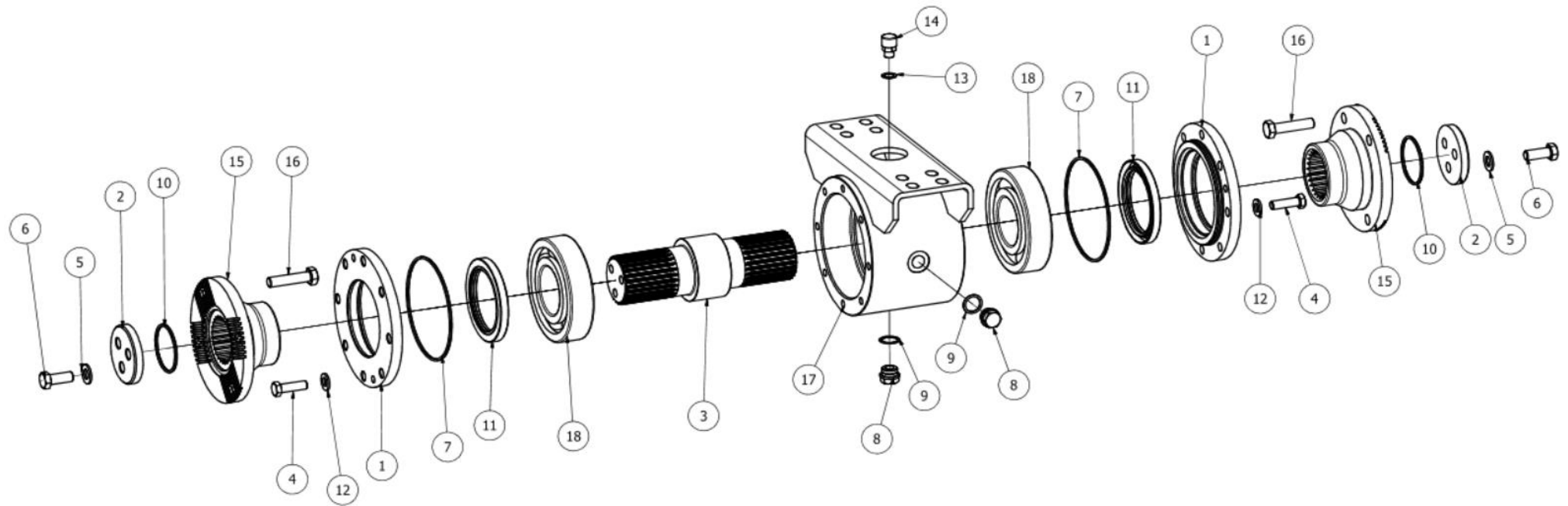


Technomatic**F90 2ST**

Tavola / Assembly

1001ALBERI DI TRASMISSIONE
TRANSMISSION SHAFTS

<u>RIF. / REF.</u>	<u>NUMERO PARTE PART NUMBER</u>	<u>DESCRIZIONE</u>	<u>DESCRIPTION</u>	<u>Q.TA' / Q.TY</u>
1	00108778	Trasmissione posteriore fresa	Snowblower rear transmission	1
2	00107060	Trasmissione anteriore fresa	Snowblower front transmission	1
3	00010414	Trasmissione riduttore-ponte anteriore	Reducer to front axle transmission	1
4	00102130	Trasmissione riduttore-ponte posteriore	Reducer to rear axle transmission	1
5	96D01277	Kit bulloneria	Bolt kit	1
	V00.6724	Vite 10x1,5x55 12K	Screw 10x1,5x55 12K	12
	V00.6725	Vite TCEI 10x1,5x70 12K	Screw 10x1,5x70 12K	4
	V00.6723	Vite 14x1,5x60 10.9 K	Screw 14x1,5x60 10.9 K	4
	V00.6722	Vite 14x1,5x50 10.9 K	Screw 14x1,5x50 10.9 K	2
	R00.5649	Rondella conica d.14x32 sp.3,4	Washer d.14x32 th.3,4	2
6	D00.6057	Dado d.10	Nut d.10	16
7	00108709	Transfer	Transfer	1





F90 2ST

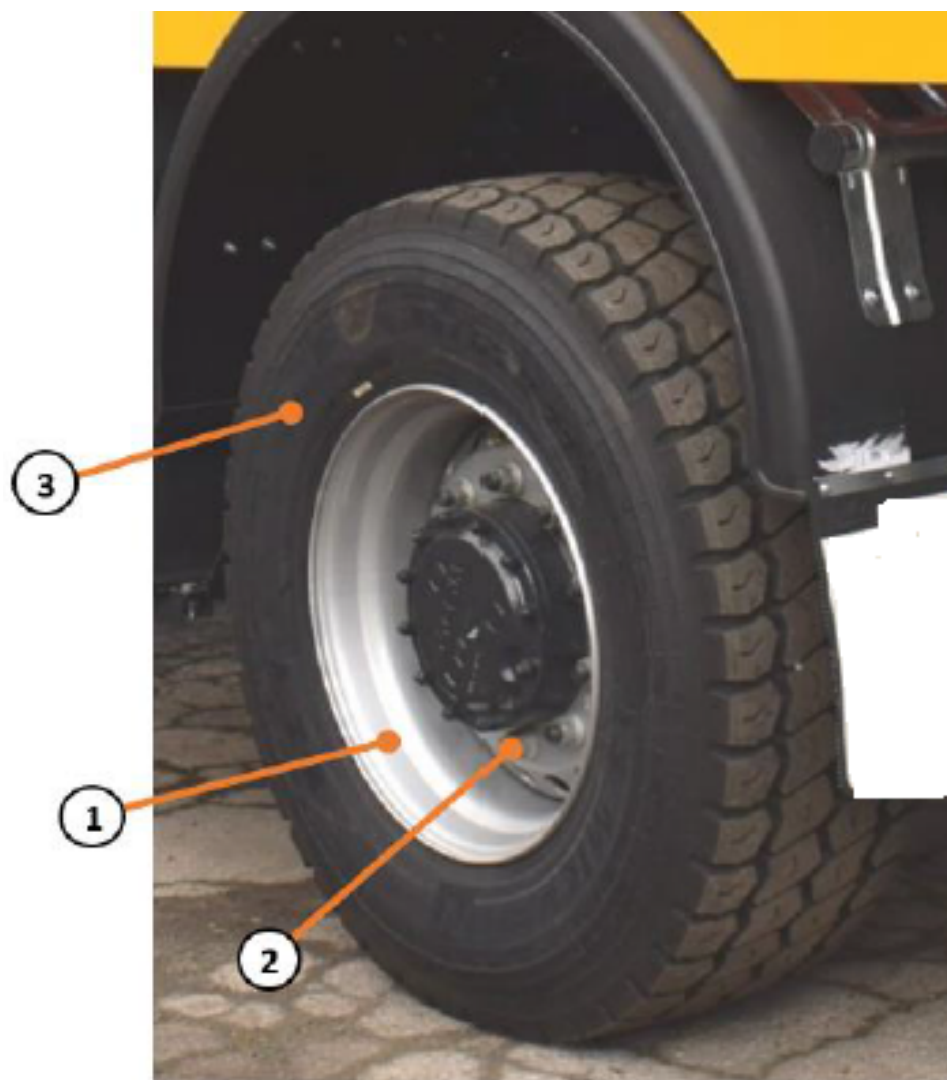
Tavola / Assembly

1002

TRANSFER TRASMISSIONE
TRANSFER TRANSMISSION

<u>RIF. / REF.</u>	<u>NUMERO PARTE PART NUMBER</u>	<u>DESCRIZIONE</u>	<u>DESCRIPTION</u>	<u>Q.TA' / Q.TY</u>
1	00083290	Coperchietto	Cover	2
2	00083292	Ranella	Washer	2
3	00083109	Albero per supporto intermedio	Middling axle	1
4	V00.1087	Vite a testa esagonale	Screw	16
5	R0022440	Rondella	Washer	6
6	V00.5057	Vite a testa esagonale	Screw	6
7	L00.1721	Anello OR	OR ring D.i 139,57	2
8	T00.1475	Tappo	Plug	2
9	R0082099	Ranella	Washer	2
10	L00.1759	Anello OR	OR ring	2
11	L00.5431	Paraolio	Oil seal	2
12	R00.5701	Rondella	Washer	16
13	00002770	Rondella	Washer	1
14	.00.4435	Tappo sfiato	Breather plug	1
15	00108448	Flangia	Flange	2
16	V00.6722	Vite a testa esagonale	Screw 14x1,5x60	8
17	00108710	Corpo	Housing	1
18	X0006314	Cuscinetto	Bearing	2

*Complessivo supporto / Support assembly P.N. **00108709**





F90 2ST

Tavola / Assembly

1101

RUOTA
WHEEL

<u>RIF. / REF.</u>	<u>NUMERO PARTE</u> <u>PART NUMBER</u>	<u>DESCRIZIONE</u>	<u>DESCRIPTION</u>	<u>Q.TA' / Q.TY</u>
1*	00106090	Cerchio	Rim	1
2	012601/1	Dado per colonnetta	Nut	10
3*	00105607	Copertura	Tyre	1

* Copertura montata / Complete assembled wheel P/N. **00106091**

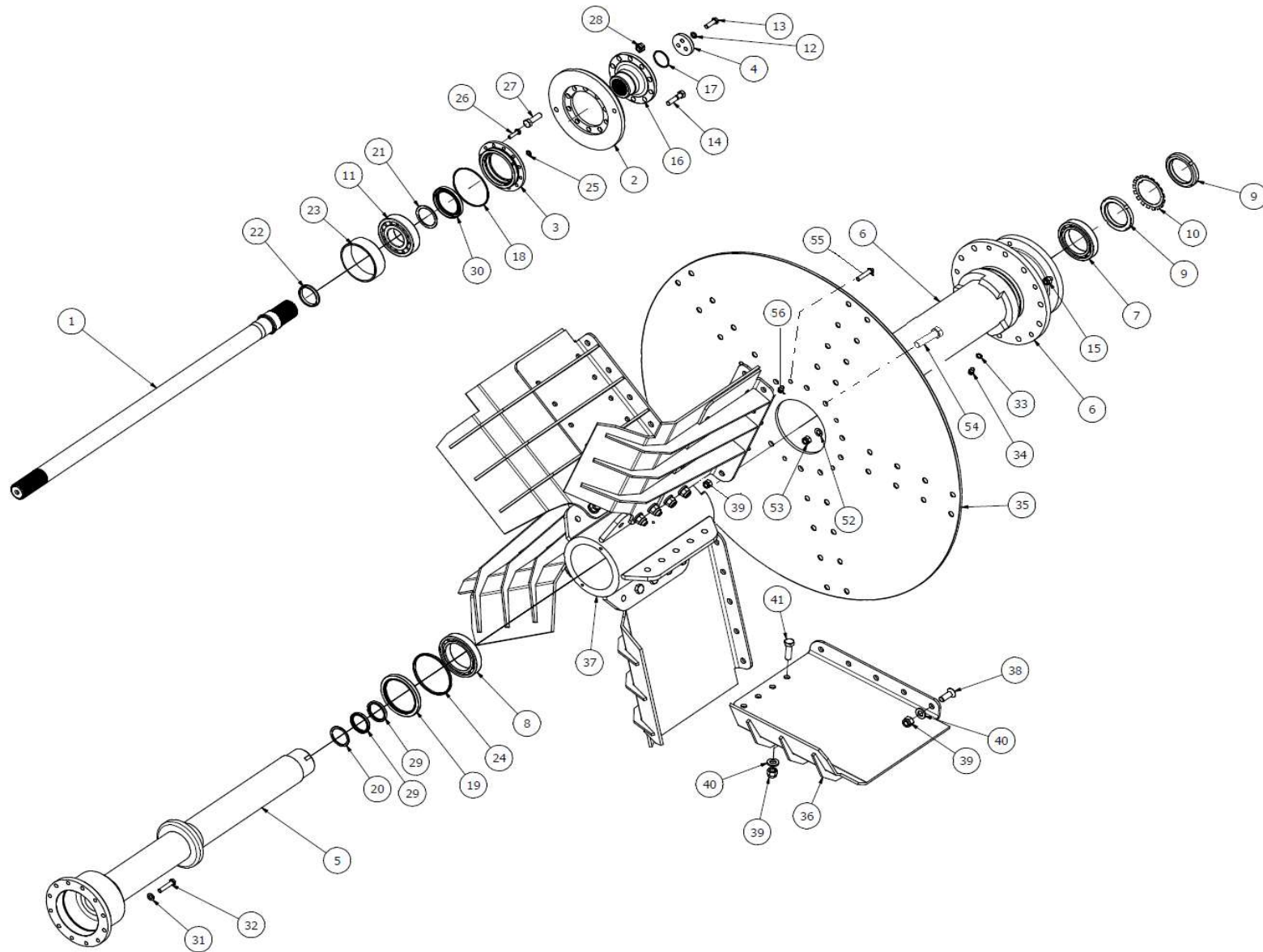
Technomatic**F90 2ST**

Tavola / Assembly

1201ROTISMI 1° STADIO
1ST STAGE GEARINGS

<u>RIF. / REF.</u>	<u>NUMERO PARTE PART NUMBER</u>	<u>DESCRIZIONE</u>	<u>DESCRIPTION</u>	<u>Q.TA' / Q.TY</u>
1	00081167	Scatola	Case	1
2	00102517	Coperchio	Cover	1
3	L00.5416	Anello OR	Or ring	2
4	00081170	Coperchio	Cover	1
5	00082855	Canotto	Canne	2
6	V00.1070	Vite	Screw	24
7	V00.5168	Vite	Screw	24
8	R00.5649	Rondella	Washer	48
9	X0030319	Cuscinetto	Bearing	2
10	00096361	Portacorona	Crown holder	1
11	00096360	Corona	Crown	1
12	R00.5652	Rondella	Washer	12
13	V00.5536	Vite	Screw	12
13'	D00.1121	Dado	Nut	12
14	00096359	Pignone	Pinion	1
15	XT7FC075	Cuscinetto	Bearing	1
16	00023783	Rondella	Washer	1
17	10562	Bussola	Bushing	1
18	X0032219	Cuscinetto	Bearing	1
19	00082896	Distanziale	Spacer	1
20	L0080921	Anello tenuta	Ring	2
21	R1012212	Rondella	Washer	11
22	V00.5177	Vite	Screw	11
22'	D00.6060	Dado	Nut	11
23	T00.1475	Tappo	Plug	1
24	R0082099	Rondella	Washer	1
25	00023784	Dado	Nut	2

26	00102502	Spessore	Thickness	\
27	00108185	Spessore	Thickness	\





F90 2ST

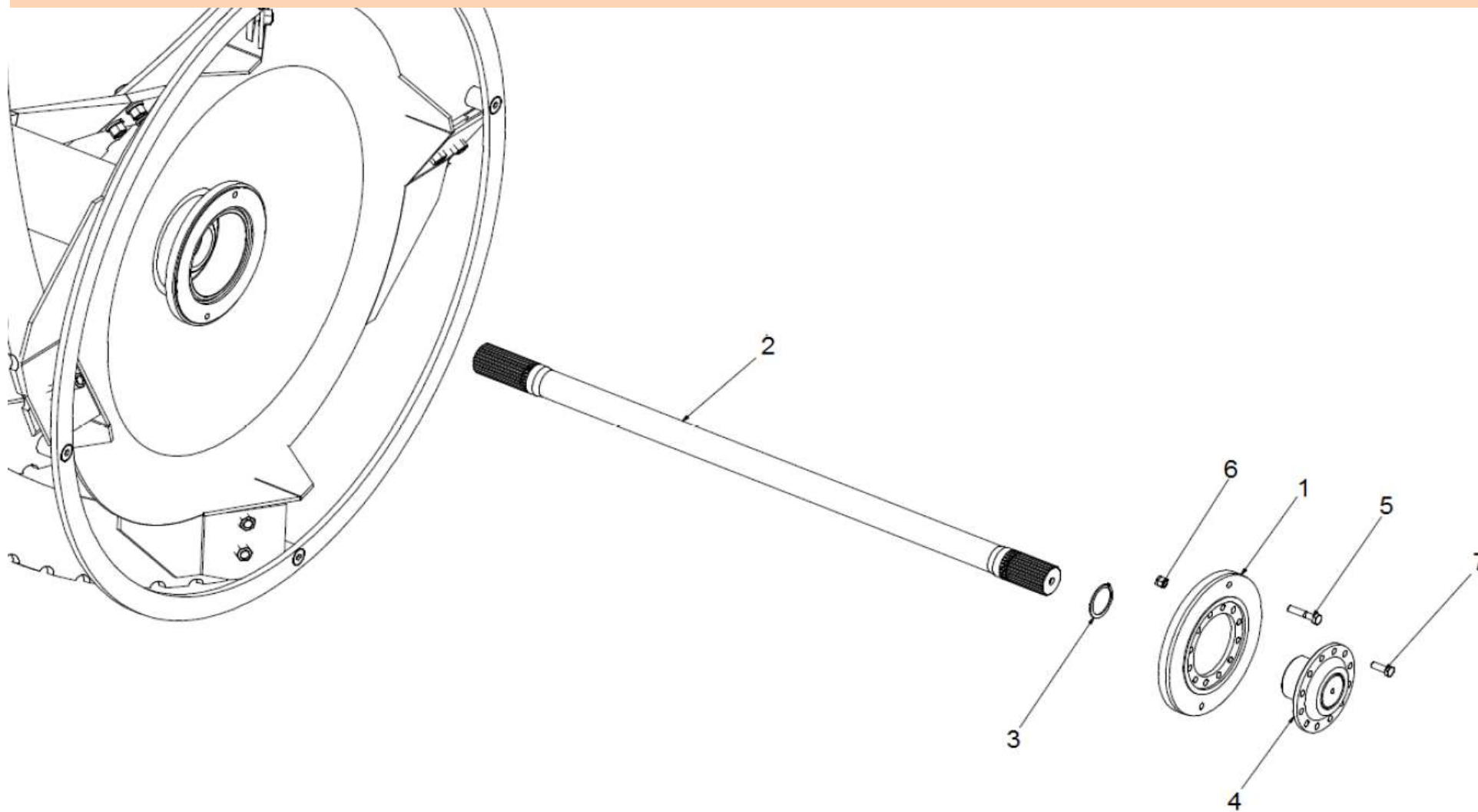
Tavola / Assembly

1202

GIRANTE 2° STADIO
2ND STAGE IMPELLER FAN

<u>RIF. / REF.</u>	<u>NUMERO PARTE PART NUMBER</u>	<u>DESCRIZIONE</u>	<u>DESCRIPTION</u>	<u>Q.TA' / Q.TY</u>
1	00107008	Albero	Shaft	1
2	00081158	Flangia	Flange	1
3	00081160	Coperchietto portaparaolio	Cover	1
4	00081161	Rondella bloccaggio	Washer	1
5	00107677	Cannotto interno	Internal canne	1
6	00106742	Cannotto esterno	External canne	1
7	X0006018	Cuscinetto	Bearing	1
8	X0006020	Cuscinetto	Bearing	1
9	.00.5596	Dado esagonale	Nut	2
10	.00.5597	Rondella	Washer	1
11	X0NUP313	Cuscinetto	Bearing	1
12	R00.6208	Rondella	Washer	3
13	V1013401	Vite	Screw	3
14	00083301	Vite di tranciamento Ø14	Shear bolt	2
15	D060.121	Dado esagonale	Nut	2
16	00087261	Flangia	Flange	1
17	L00.1729	Anello OR	OR ring	1
18	L0081860	Anello OR	OR ring	1
19	L02890/2	Paraolio	Oil seal	1
20	00081162	Anello per protezione	Protection ring	1
21	00081163	Anello di spessore	Thickness	1
22	00081164	Anello distanziale	Spacer ring	1
23	00081165	Distanziale per cuscinetti	Spacer ring	1
24	00081166	Distanziale per paraolio	Spacer	1
25	R4327242	Rondella elastica	Washer	12
26	V00.1040	Vite a testa esagonale	Screw	12
27	V00.7093	Vite a testa esagonale	Screw	10

28	D00.6061	Dado	Nut	10
29	L00.6039	Paraolio	Oil seal	2
30	L00.5412	Paraolio	Oil seal	1
31	R00.5701	Rondella elastica	Washer	12
32	V00.5079	Vite	Screw 12x1,75x60	12
33	R00.1206	Rondella	Washer	2
34	T00.1473	Tappo vite	Plug	2
35	00107009	Disco per turbina lato palette	Disc	1
36	00107003	Paletta completa	Complete paddle	5
37	00106760	Rinforzo	Stiffener	1
38	V00.6188	Vite svasata	Screw 18x2,5x50	40
39	D0011732	Dado esagonale	Nut	70
40	R00.5652	Rondella elastica conica	Washer	70
41	V00.5021	Vite a testa esagonale	Screw	20
52	R00.5649	Rondella	Washer	5
53	D0002568	Dado esagonale	Nut	5
54	V00.6009	Vite	Screw 18x2,5x70	10
55	V00.1059	Vite	Screw 14x1,5x50	6
56	D060.121	Dado	Nut d.14	6





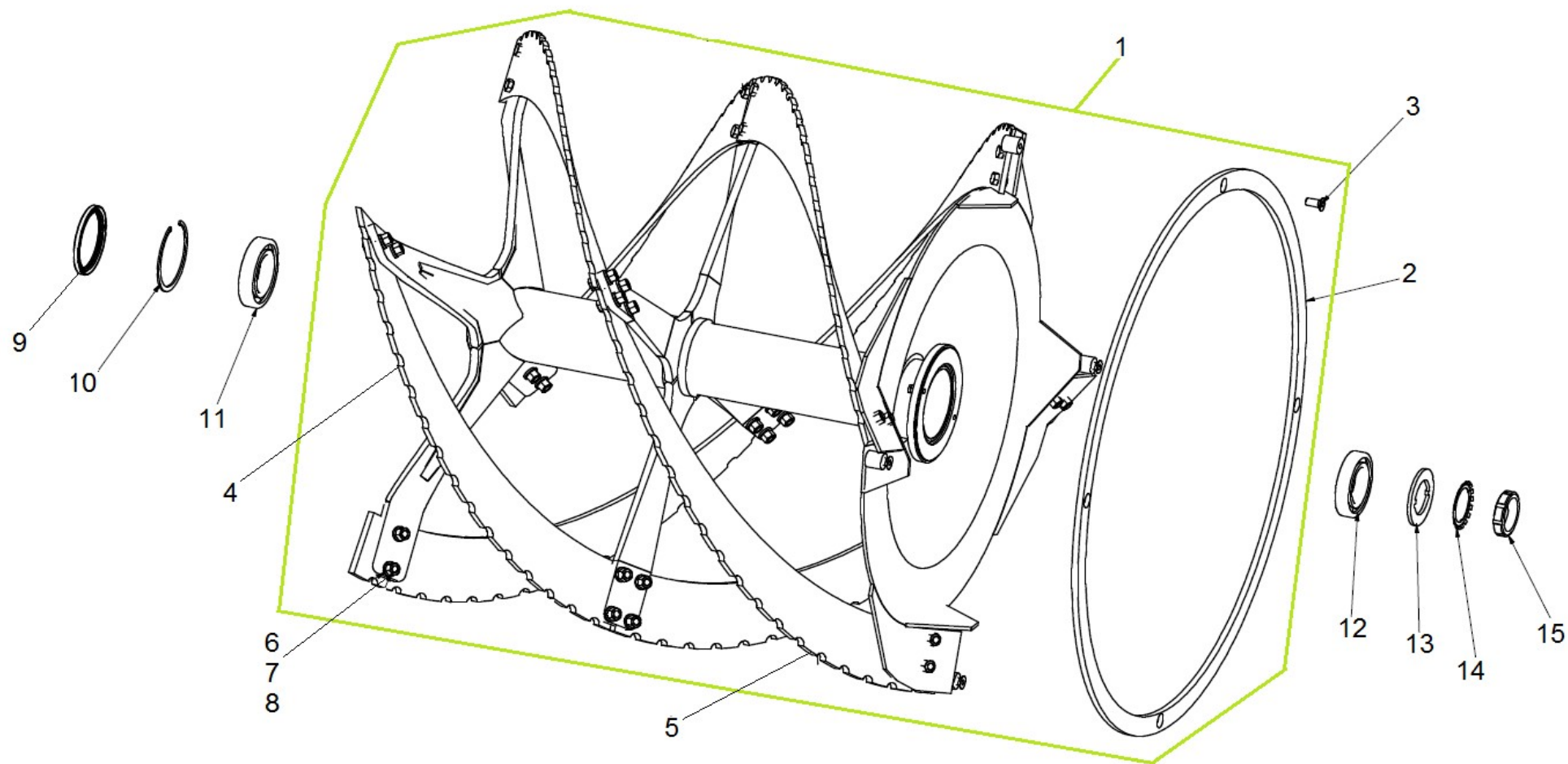
F90 2ST

Tavola / Assembly

1203

MONTAGGIO RULLO
RIBBON AUGER MOUNTING

<u>RIF. / REF.</u>	<u>NUMERO PARTE PART NUMBER</u>	<u>DESCRIZIONE</u>	<u>DESCRIPTION</u>	<u>Q.TA' / Q.TY</u>
1	00082858	Flangia	Flange	1
2	00082851	Semiasse	Half axle	1
3	S00.6710	Anello elastico	Elastic ring	1
4	00082857	Flangia	Flange	1
5	00083299	Spine	Pin	2
6	D0002582	Dado	Nut	2
7	D1013452	Dado	Nut	12
8	V1013401	Vite	Screw	12
9	00090228	Protezione semiasse	Half axle protection	1
10	V4017419	Vite	Screw	2

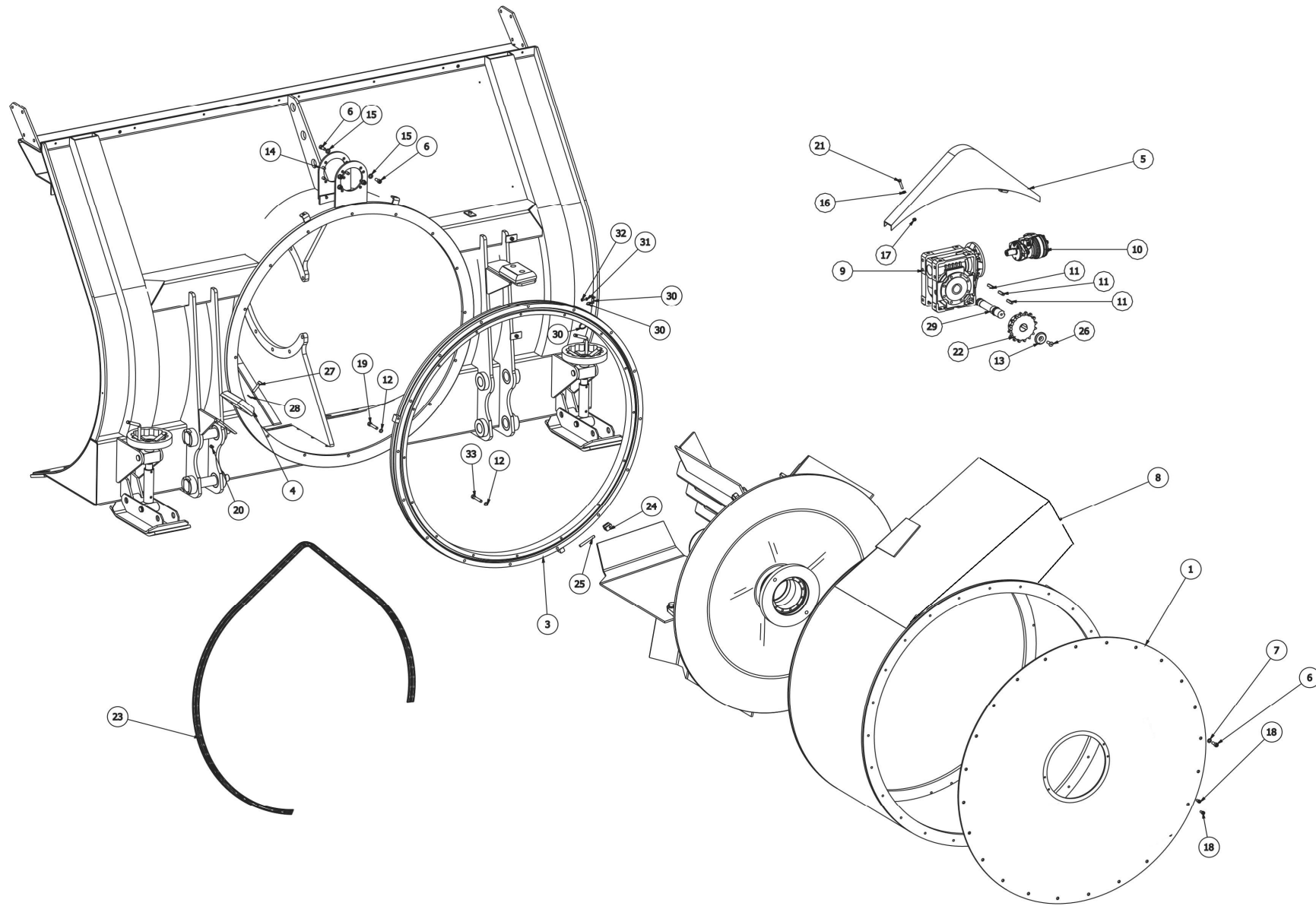


Technomatic**F90 2ST**

Tavola / Assembly

1204ASSEMBLAGGIO RULLO
RIBBON AUGER ASSEMBLY

<u>RIF. / REF.</u>	<u>NUMERO PARTE PART NUMBER</u>	<u>DESCRIZIONE</u>	<u>DESCRIPTION</u>	<u>Q.TA' / Q.TY</u>
1	00000877/V	Tamburo fresatore destro	Right auger	1
	00000878/V	Tamburo fresatore sinistro	Left auger	1
2	00082828	Anello esterno	Extern ring	2
3	V00.6678	Vite	Screw	8
4	00095217	Coltello interno	Central ribbon	4
5	00095214	Coltello esterno	External ribbon	4
6	V00.5190	Vite	Screw	24
	V00.6067	Vite	Screw	8
7	R00.5676	Rondella	Washer	32
8	D00.1118	Dado	Nut	32
9	L01740/1	Paraolio	Oil seal	2
10	S5105310	Anello seeger Ø60	Seeger ring Ø60	2
11	X0006219	Cuscinetto	Bearing	2
12	X0006218	Cuscinetto	Bearing	2
13	00011728	Rosetta di sicurezza	Safety washer	2
14	.00.5408	Fermoghiera	Ring nut fixing	2
15	00011729	Dado con intagli	Ring nut	2





F90 2ST

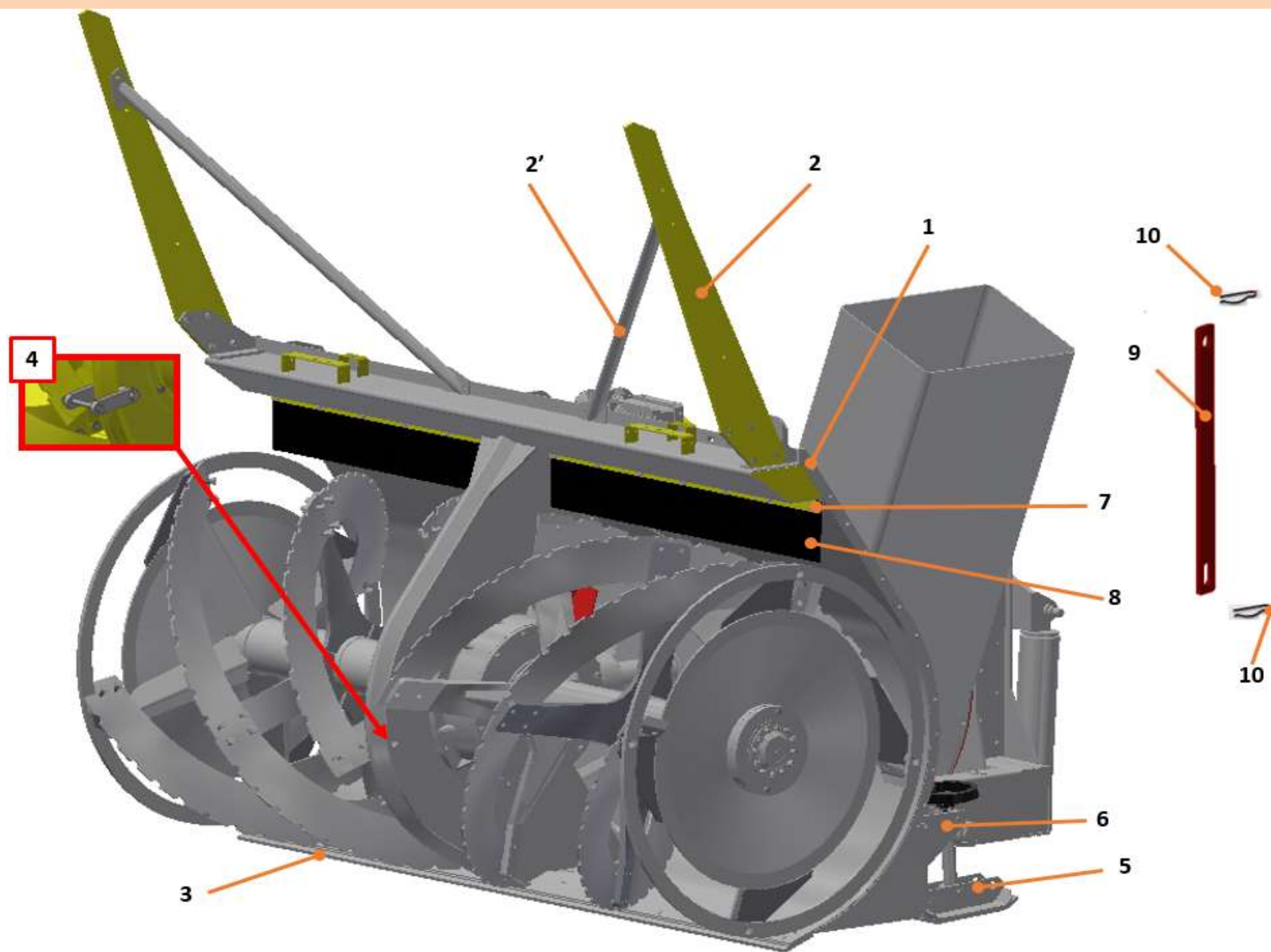
Tavola / Assembly

1205

MONTAGGIO CONVOGLIATORE
CONVEYOR MOUNTING

<u>RIF. / REF.</u>	<u>NUMERO PARTE PART NUMBER</u>	<u>DESCRIZIONE</u>	<u>DESCRIPTION</u>	<u>Q.TA' / Q.TY</u>
1	00107010X	Coperchio di chiusura	Cover	1
3	00000306	Ralla completa	Complete bearing	1
4	00098620	Tampone di arresto in gomma	Bumper	2
5	00095435	Carter protezione catena	Carter	1
6	V00.5085	Vite a testa cilindrica	Screw	34
7	R4327242	Rondella elastica	Washer	36
8	00103485	Convogliatore secondo stadio camino reclinabile	Conveyor	1
9	00102374	Riduttore W86PI30P100B14	Reducer W86PI30P100B14	1
10	00083207	Motore OM50	Motor OM50	1
11	00083769	Chiavetta parallela	Spline	3
12	R00.5237	Ranella	Washer	32
13	00101386	Rondella per pignone convogliatore	Washer	1
14	00082882	Supporto anteriore	Support	1
15	R00.5702	Rondella elastica conica	Washer	8
16	R00.5662	Rondella elastica conica	Washer	2
17	D00.1106	Dado esagonale autobloccante	Nut	2
18	V0023104	Vite a testa cilindrica	Screw	4
19	V00.5128	Vite a testa cilindrica	Screw	16
20	D00.6057	Dado	Nut	4
21	V00.1033	Vite a testa esagonale	Screw	2
22	00102771	Pignone Z=16 per catena	Pinion	1
23	00083208	Catena	Chain	1
24	00082880	Tenditore per catena	Chain tightening	1
25	00095478	Tirante catena	Chain tie rod	1
26	V00.5959	Vite svasata	Screw	1
27	V00.5546	Vite a testa cilindrica	Screw	4
28	R00.1202	Rondella	Washer	4

29	00104816	Alberino riduttore	Shaft	1
30	.00.4274	Catena	Chain	2
31	R00.1200	Rondella	Washer	2
32	V00.5096	Vite a testa esagonale	Screw	2
33	V00.5129	Vite a testa cilindrica	Screw	16

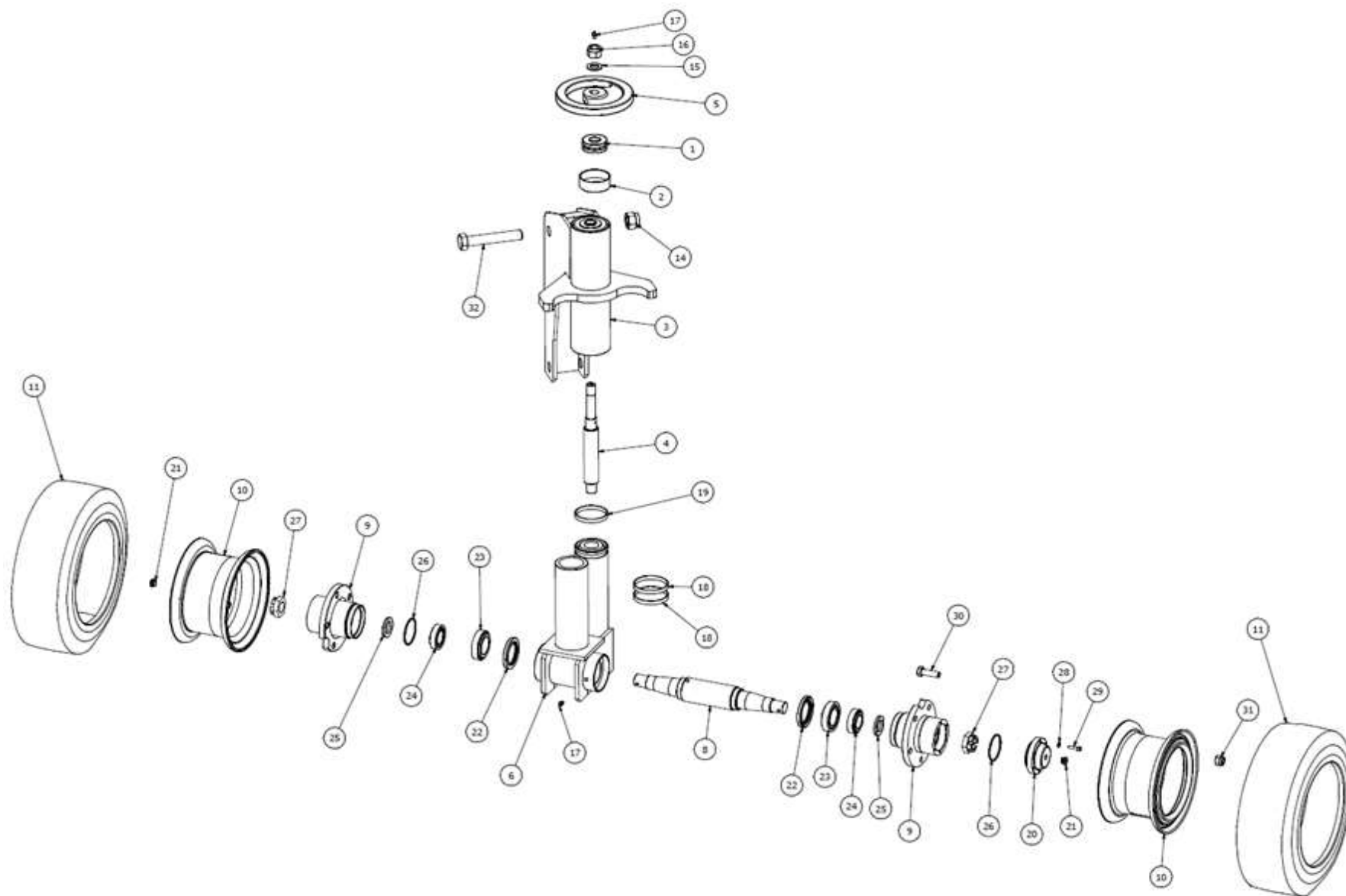


Technomatic**F90 2ST**

Tavola / Assembly

1206FRESA COMPLETA
COMPLETE BLOWER HEAD

<u>RIF. / REF.</u>	<u>NUMERO PARTE PART NUMBER</u>	<u>DESCRIZIONE</u>	<u>DESCRIPTION</u>	<u>Q.TA' / Q.TY</u>
1	00104449	Carcassa	Blowerhead body	1
2	00011679	Coltello laterale	Lateral cutter	2
2'	00112041	Puntone di fissaggio destro	Right fixing bar	1
	00112042	Puntone di fissaggio sinistro	Left fixing bar	1
3	00011673	Coltello frontale sinistro	Left frontal blade	1
4	00095586	Piastra per gancio	Hook plate	2
	V00.6701	Vite M22 x 1,5 x 160	Screw	1
	D00.5507	Dado 22x1,5	Nut	1
	V00.5033	Vite 16x1,5x150	Screw	1
	D00.5766	Dado 16x1,5	Nut	1
5	82875/AS	Pattino	Skid plate	2
6	00107109	Supporto pattino	Skid plate support	2
7	00011688	Riscontro	Fixing plate	2
8	00112507	Protezione	snow protection	2
9	00011641	Tirante sicurezza	Safety tie rod	2
10	011642/1	Spina	Pin	4





F90 2ST

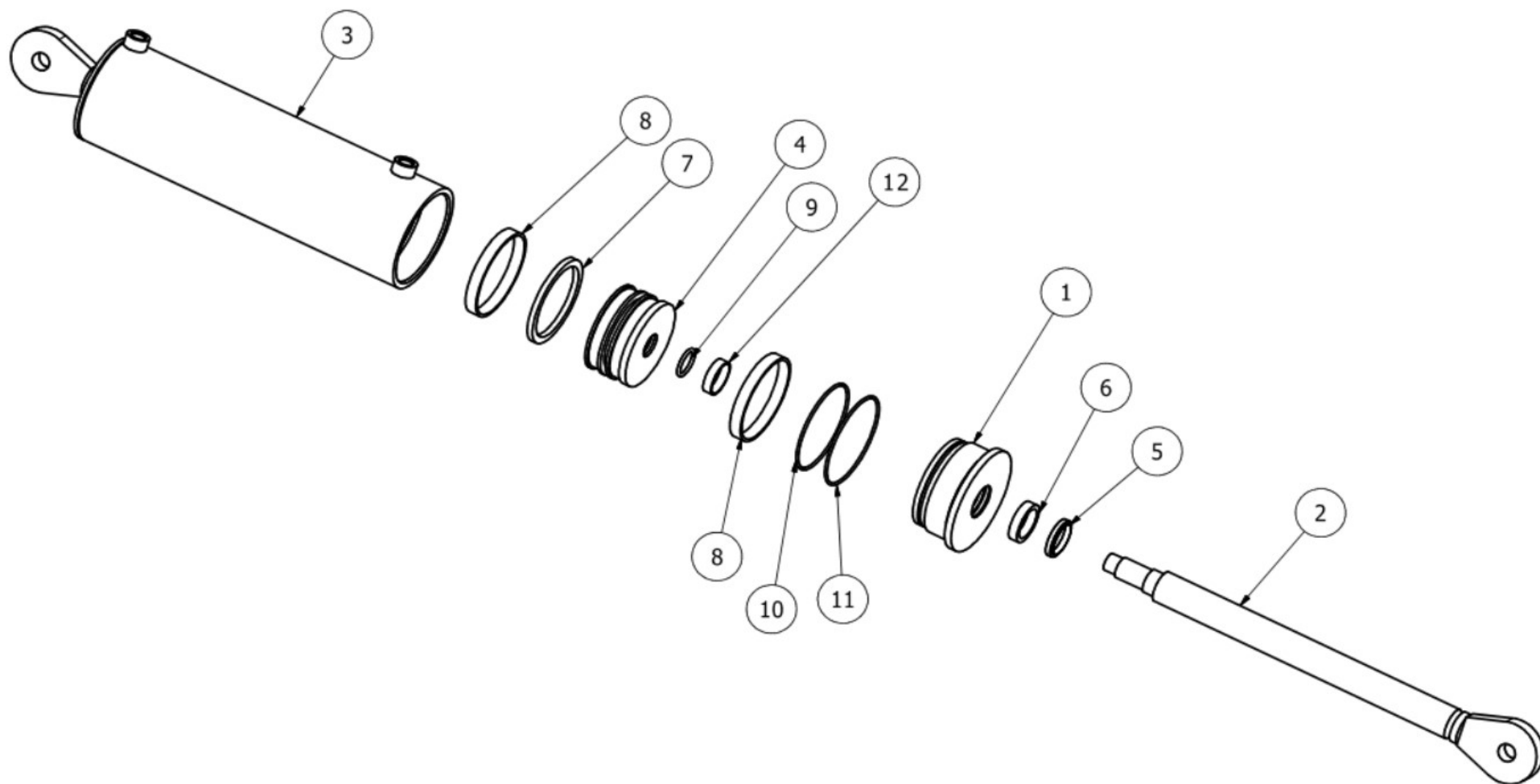
Tavola / Assembly

1207

COMPLESSIVO RUOTA PIVOTTANTE
COMPLETE PIVOTING WHEEL

<u>RIF. / REF.</u>	<u>NUMERO PARTE PART NUMBER</u>	<u>DESCRIZIONE</u>	<u>DESCRIPTION</u>	<u>Q.TA' / Q.TY</u>
1	X0051405	Cuscinetto	Bearing	1
2	00088597	Piattello	Plate	1
3	00107768	Assemblaggio canna	Canne assembly	1
4	00089806	Vite	Screw	1
5	00088653	Volantino	Wheel	1
6	00089805	Stelo	Rod	1
8	00089808	Albero	Shaft	1
9	00088589	Mozzo	Hub	1
10	00088638	Cerchio 4,33 R8	Rim	2
11	00088620	Copertura 150/75 R8	Tyre	2
13	R4017219	Rondella	Washer	21
14	D00.1136	Dado	Nut	2
15	R00.1204	Rondella	Washer	1
16	D00.6056	Dado	Nut	1
17	I00.5271	Ingrassatore 8X1	Greaser	2
18	L0088800	Fascia guida	Wrapper	2
19	L0082464	Fascia guida	Wrapper	1
20	00088590	Coperchietto	Cover	2
21	T0010721	Tappo	Plug	2
22	00088625	Anello tenuta	Seal ring	2
23	X0032009	Cuscinetto	Bearing	2
24	X0032007	Cuscinetto	Bearing	2
25	00088658	Ranella	Washer	2
26	00088624	Anello	Ring	2
27	D00.6142	Dado	Nut	2
28	R00.6322	Rondella	Washer	12
29	V00.5087	Vite	Screw	12

30	V00.1058	Vite	Screw	10
31	00083810	Dado	Nut	10
32	V00.1083	Vite	Screw	2



F90 2ST

Tavola / Assembly

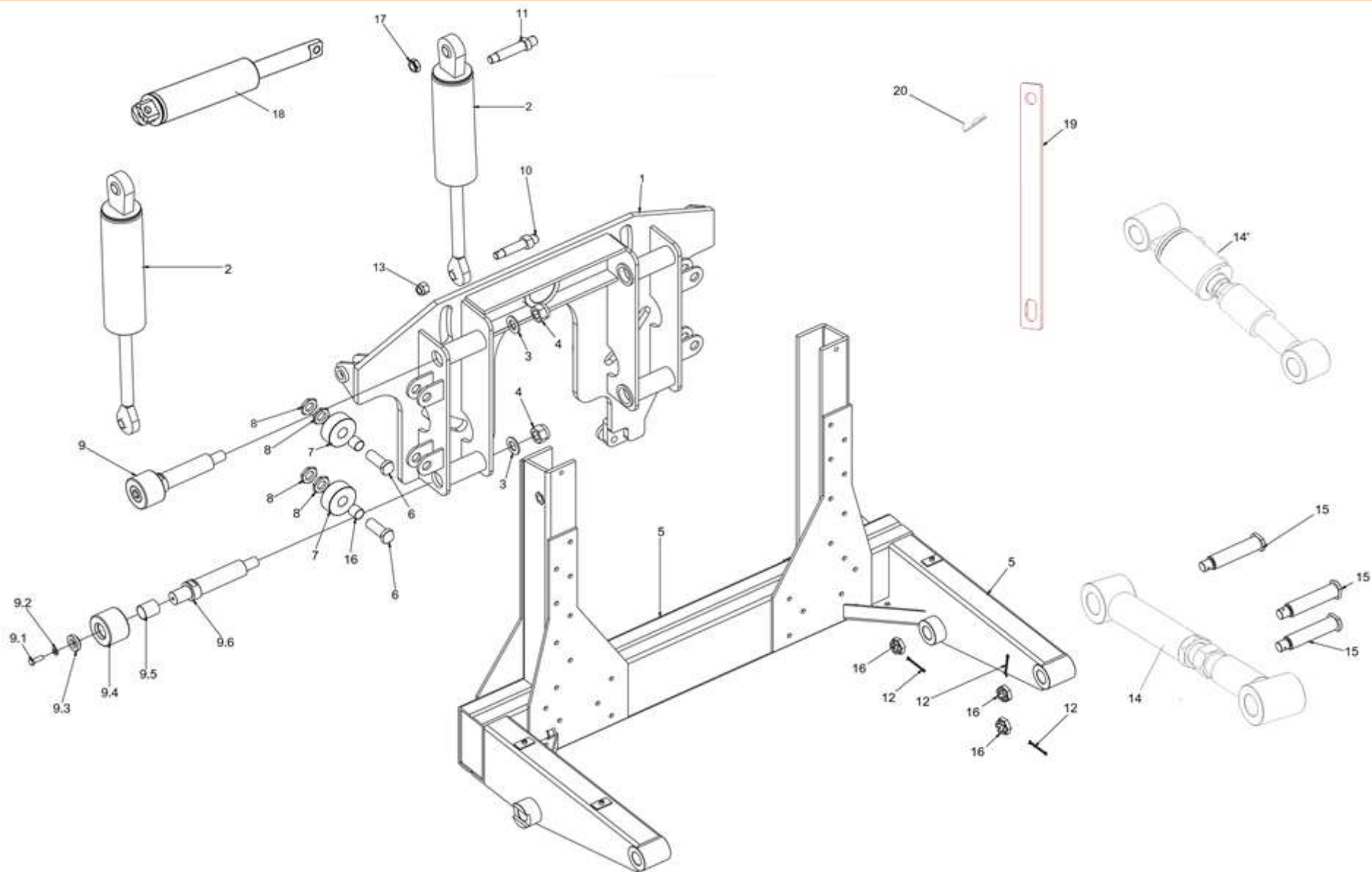
1208

CILINDRO SOLLEVAMENTO FRESA_00108767

LIFTING CYLINDER_00108767

<u>RIF. / REF.</u>	<u>NUMERO PARTE PART NUMBER</u>	<u>DESCRIZIONE</u>	<u>DESCRIPTION</u>	<u>Q.TA' / Q.TY</u>
1	2FR000206	Testata	Head plate	1
2	00108762	Stelo	Rod	1
3	00108764	Canna	Canne	1
4	2FR000205	Portaguarnizioni	Gaskets holder	1
5*	L01780/2	Raschiatore	Scraper	1
6*	L00.7153	Tenuta stelo	Seal	1
7*	L00.7154	Tenuta pistone	Seal	1
8*	L00.7155	Fascia	Band	2
9*	L00.7146	Anello OR	OR ring	1
10*	L00.7156	Anello OR	OR ring	1
11*	L00.7157	Anello OR	OR ring	1
12*	L01780/3	Fascia	Band	1
13	.00.6878	Vite	Screw	1

* Kit guarnizioni / gaskets kit P/N. **2FR000220**





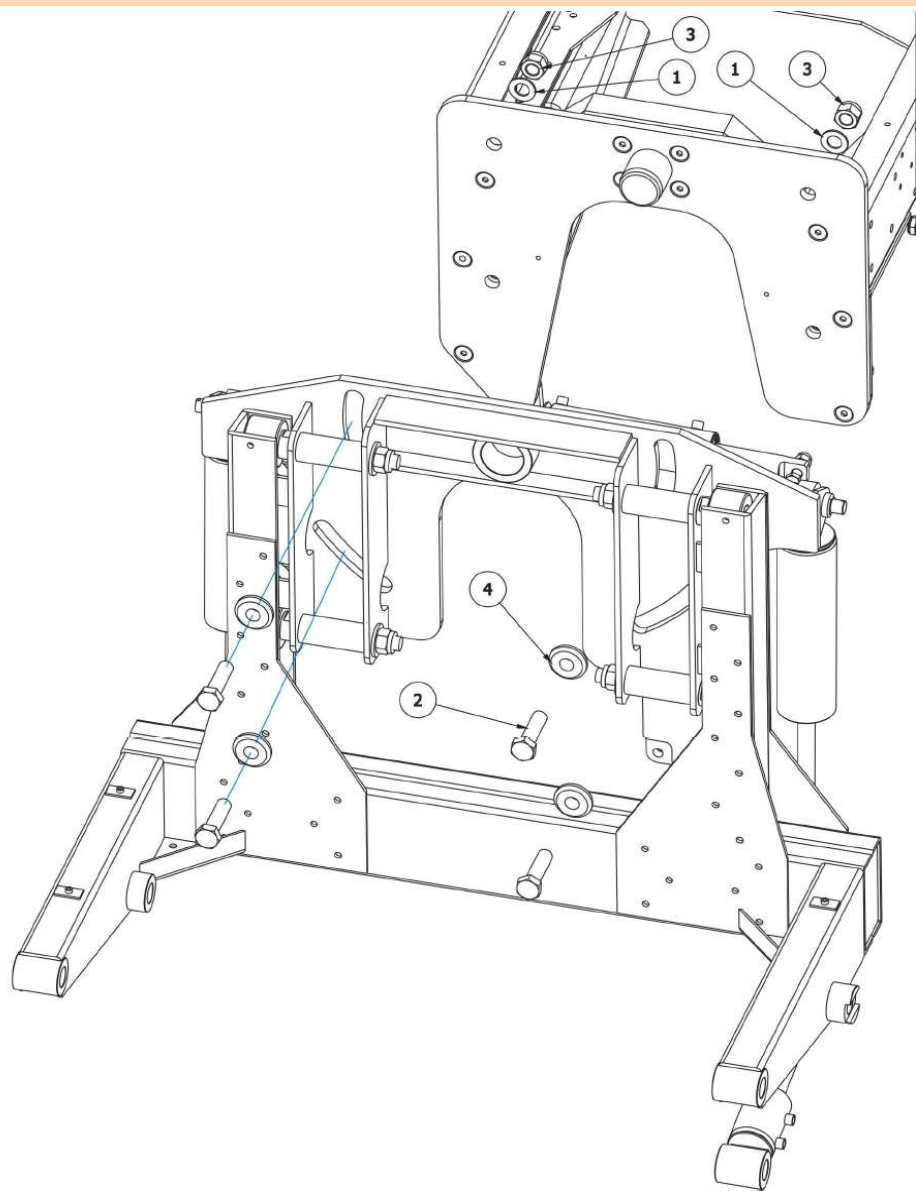
F90 2ST

Tavola / Assembly

1209

TRALICCIO ATTACCO FRESA
DOCKING TRESTLE

<u>RIF. / REF.</u>	<u>NUMERO PARTE PART NUMBER</u>	<u>DESCRIZIONE</u>	<u>DESCRIPTION</u>	<u>Q.TA' / Q.TY</u>
1	00104337	Piastra attacco fresa lato telaio	Docking plate	1
2	00108767	Complessivo cilindro sollevamento	Complete lifting cylinder	2
3	R00.5266	Rondella	Washer	4
4	D00.5981	Dado esagonale	Nut	4
5	00112043	Traliccio fresa due stadi	Trestle	1
6	00089842	Perno per rullo superiore	Pin	4
7	00089843	Rullo superiore per guida verticale.	Roller	4
8	D00.7407	Dado	Nut	8
9	00104339	Assemblaggio rullo guida traliccio	Complete roller assembly	4
9.1	V0012491	Vite	Screw	4
9.2	R00.5701	Rondella	Washer	4
9.3	00089840	Rondella per rullo	Washer	4
9.4	00089841	Rullo	Roller	4
9.5	00098509	Boccola	Bushing	4
9.6	00089839	Perno	Pin	4
10	00089836	Perno	Pin	2
11	00089838	Perno per ancoraggio cilindro sollevamento fresa	Pin	2
12	C00.1328	Copiglia	Split pin	6
13	D00.6357	Dado esagonale	Nut	2
14	00089856	Tirante regolabile	Adjustable tie rod	2
14'	FL00104322	Cilindro brandeggio (solo per veicoli con brandeggio)	Tilting cylinder (only for vehicle provided)	2
15	00083198	Perno x traliccio (con dado)	Pin with nut	6
16	00085370	Boccola	Bushing glycodur	4
17	D0011629	Dado autobloccante	Autolocking nut	2
18	FL00104385	Cilindro orientamento	Orienting cylinder	1
19	00011641	Tirante di sicurezza	Safety bar	2
20	011642/1	Spina	Pin	4





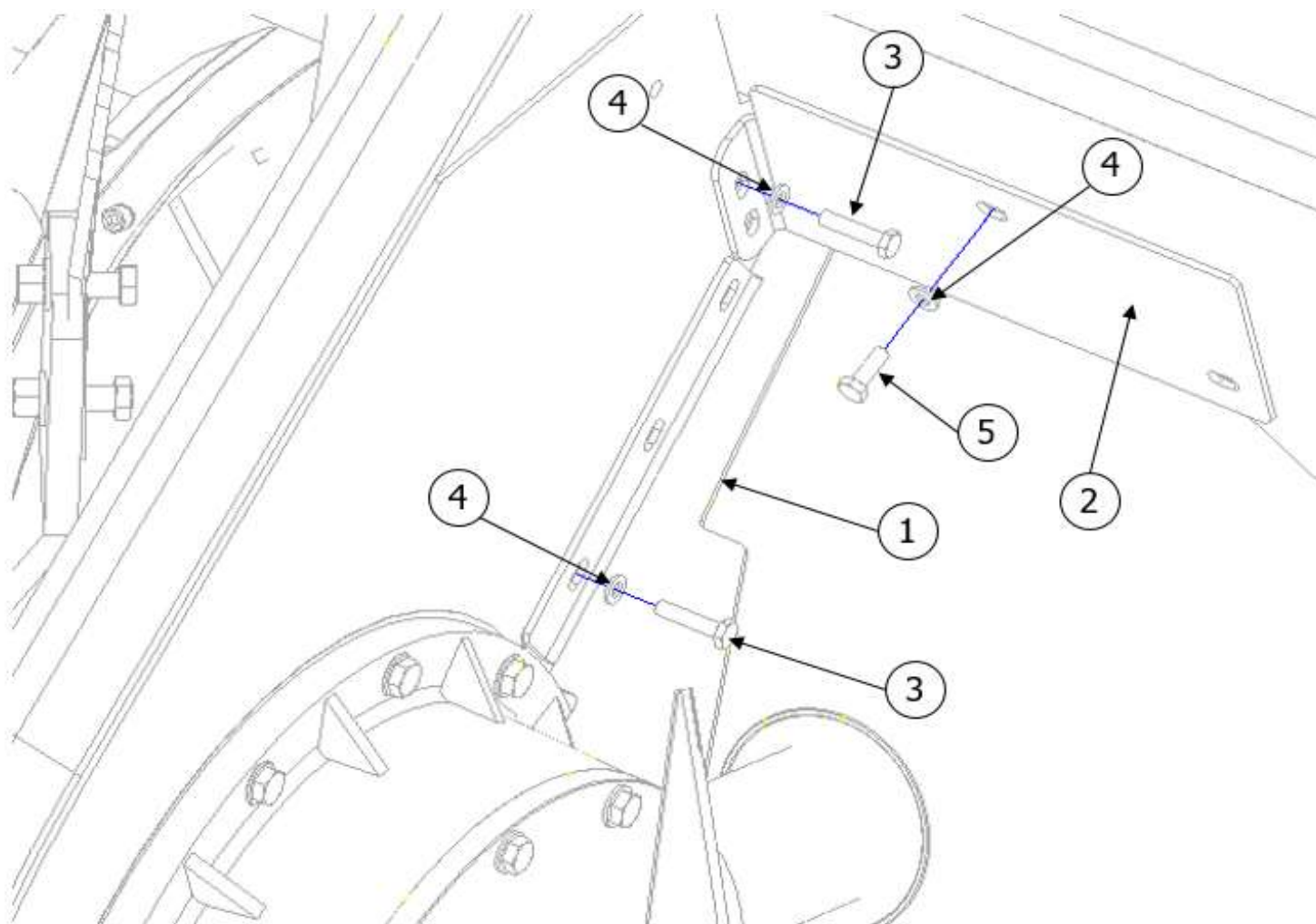
F90 2ST

Tavola / Assembly

1210

ATTACCO TRALICCIO A TELAIO
TRESTLE CONNECTION TO THE CHASSIS

<u>RIF. / REF.</u>	<u>NUMERO PARTE</u> <u>PART NUMBER</u>	<u>DESCRIZIONE</u>	<u>DESCRIPTION</u>	<u>Q.TA' / Q.TY</u>
1	R00.5266	Rondella	Washer	4
2	V00.7087	Vite	Screw 30x3,5x110	4
3	D00.5981	Dado	Nut 30x3,5x35	4
4	00104332	boccola	Bushing	4





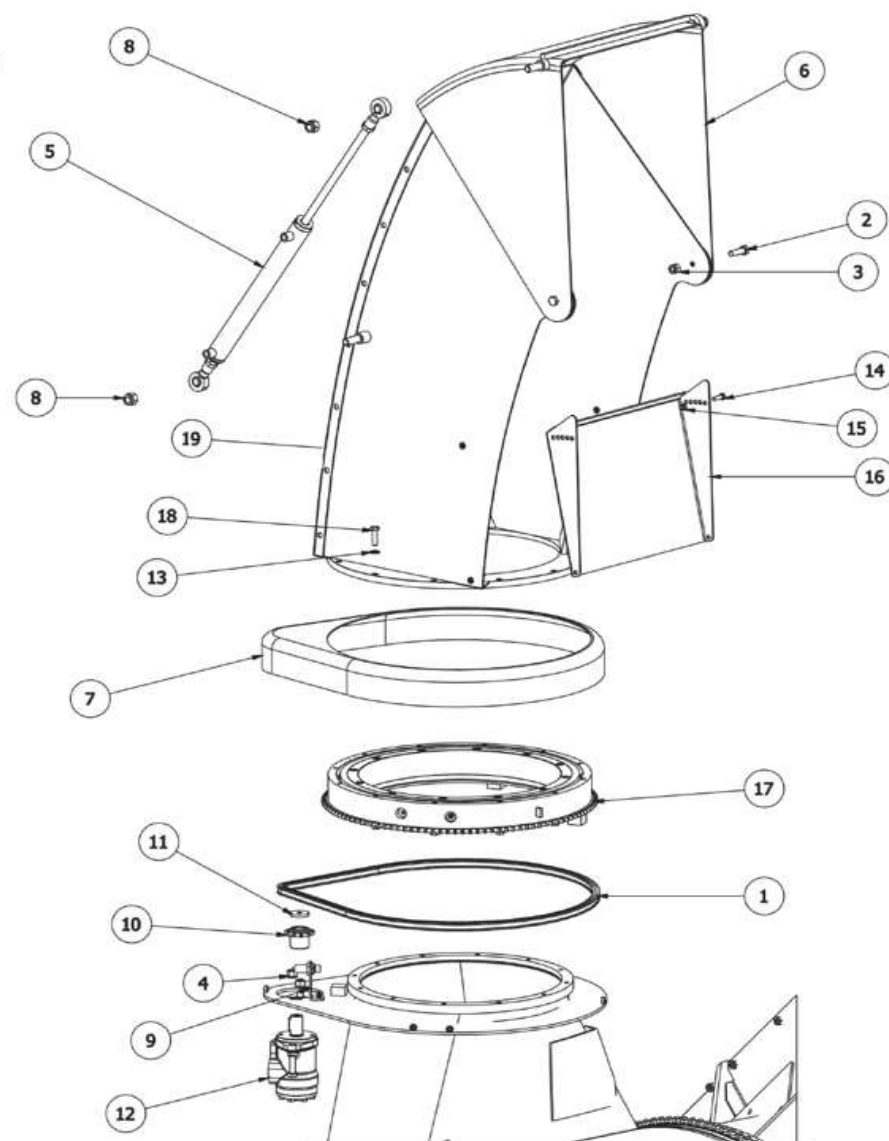
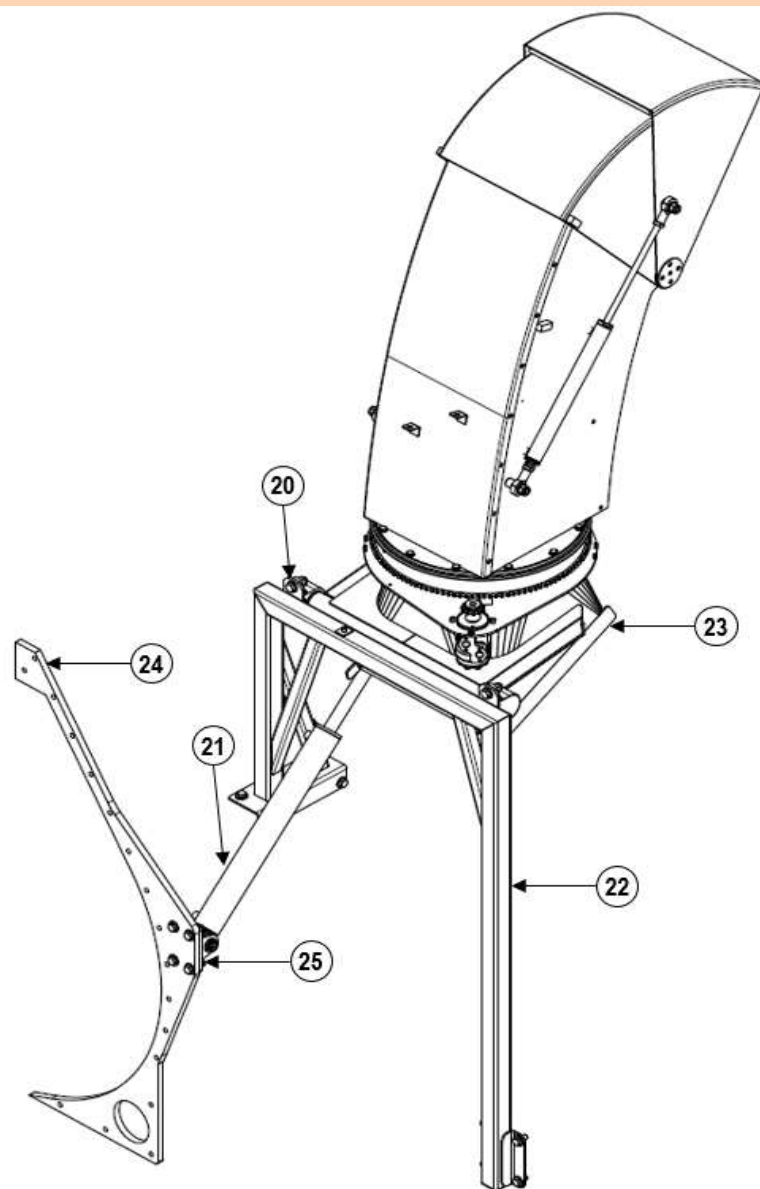
F90 2ST

Tavola / Assembly

1211

CARTER SINISTRI E DESTRI
LEFT AND RIGHT CARTERS

<u>RIF. / REF.</u>	<u>NUMERO PARTE PART NUMBER</u>	<u>DESCRIZIONE</u>	<u>DESCRIPTION</u>	<u>Q.TA' / Q.TY</u>
1dx	00104979	Paratia su setto centrale fresa destra	Right carter	1
1sx	00104978	Paratia su setto centrale fresa sinistra	Left carter	1
2dx	00104969	Paratia bassa interna alla carcassa destra	Right carter	1
2sx	00104970	Paratia bassa interna alla carcassa fresa sinistra	Left carter	1
3	V00.5118	Vite a testa esagonale	Screw	5
4	R00.5702	Rondella elastica conica	Washer	14
	D00.6057	10x1,5xH100 dado	Nut	9
5	V4017419	Vite a testa esagonale	Screw	4





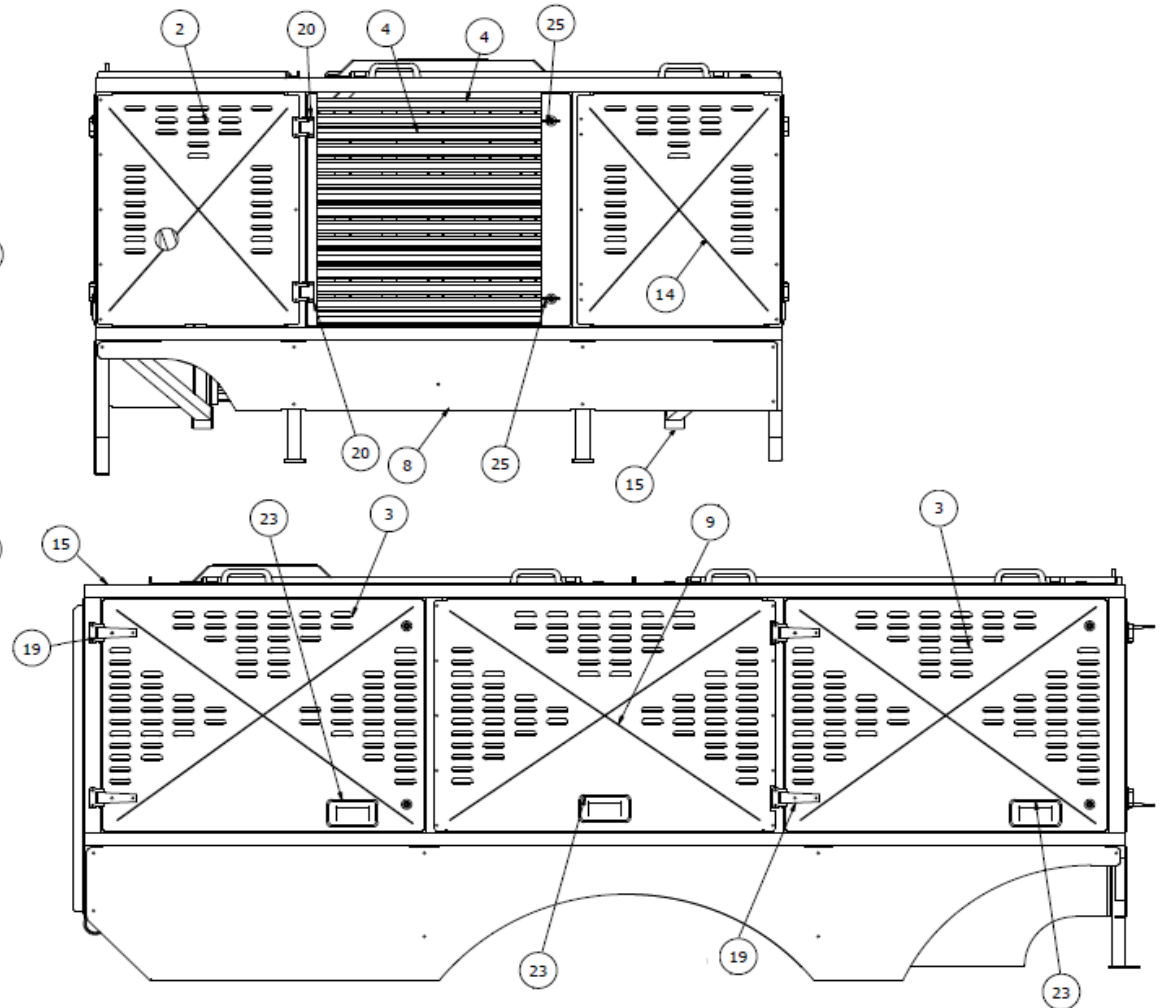
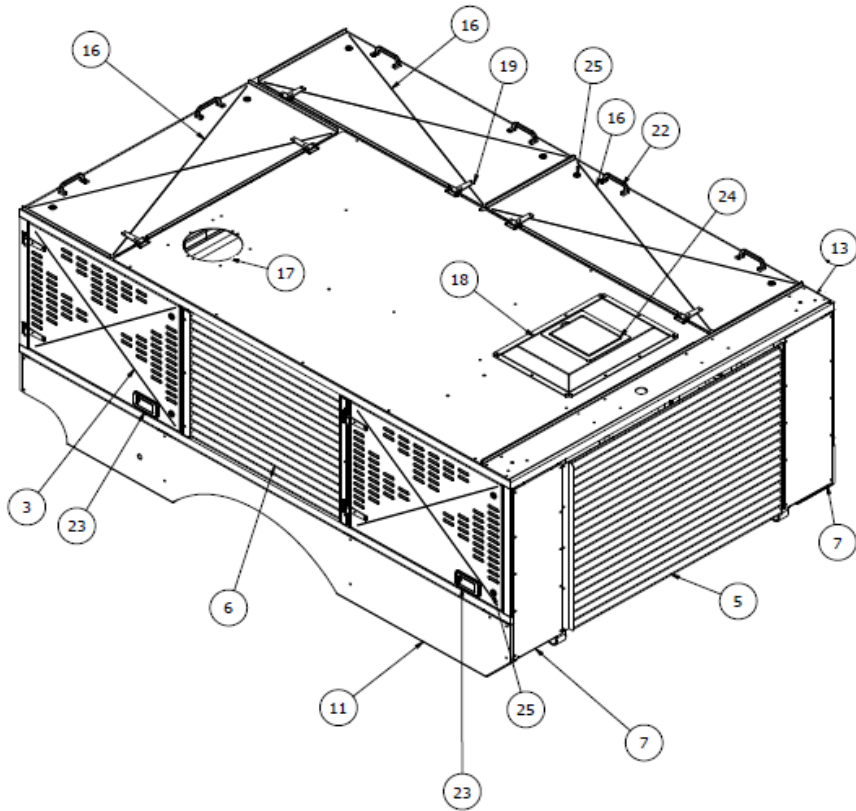
F90 2ST

Tavola / Assembly

1211

CAMINO
CASTING CHUTE

<u>RIF. / REF.</u>	<u>NUMERO PARTE PART NUMBER</u>	<u>DESCRIZIONE</u>	<u>DESCRIPTION</u>	<u>Q.TA' / Q.TY</u>
1	011827/3	Catena	Chain	2
2	V1013401	Vite	Screw	2
3	D0002582	Dado	Nut	2
4	D1013452	Dado	Nut	2
5	FL00082044	Cilindro	Cylinder	2
6	00104911	Tegolo	Cover	1
	00104915	Tegolo	Cover	1
7	00104471	Cover	Cover	1
	00104472			1
8	D00.5766	Dado esagonale	Nut	4
9	00104468	Supporto sensore prossimità	Support	1
10	00011826	Pignone	Pinion	1
11	R0011829	Rondella	Washer	1
12	00011832	Motore OMP100	Motor OMP100	1
13	R00.5702	Rondella	Washer	12
14	V00.1088	Vite	Screw	8
15	D0031344	Dado	Nut	8
16	00104915	Deflettore	Flap	1
17	96D01205	Ralla completa	Complete fifth wheel	1
18	V00.5572	Vite	Screw	12
19	00104914	Camino	Chute	1
20	00106639	Cerniera	Hinge	2
21	00107464	Cilindro di sollevamento	Lifting cylinder	1
22	00113683	Supporto camino	Casting chute support	1
23	00113700	Tramoggia	Hopper	1
24	000113682	Distanziale	Spacer	1
25	00113681	Supporto cilindro	Cylinder support	1

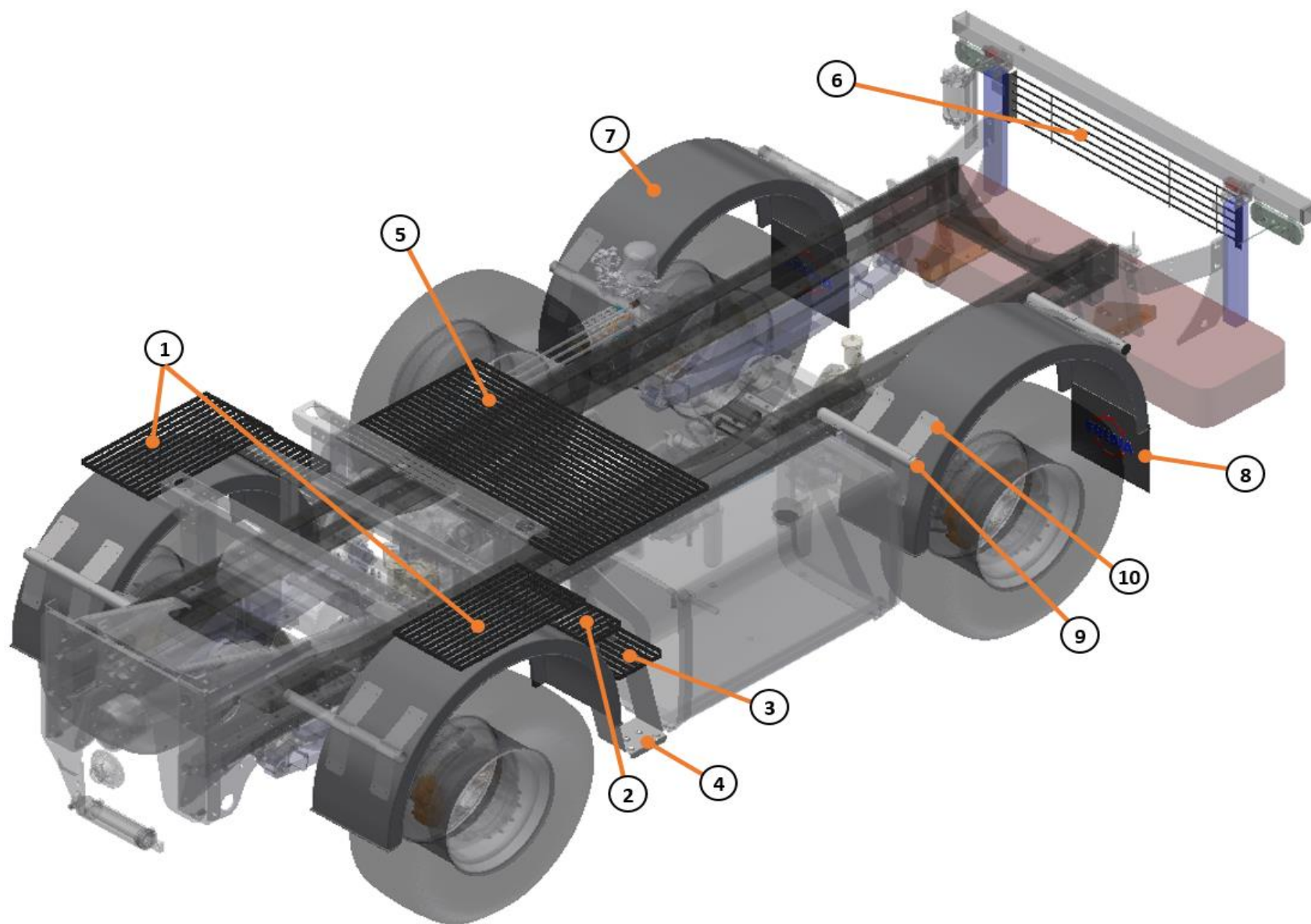


Technomatic**F90 2ST**

Tavola / Assembly

1301VISTA FRONTALE
FRONTE VIEW

<u>RIF. / REF.</u>	<u>NUMERO PARTE PART NUMBER</u>	<u>DESCRIZIONE</u>	<u>DESCRIPTION</u>	<u>Q.TA' / Q.TY</u>
1	00104775	Chiave	Key	2
2	00104698	Pannello	Panel	1
3	00104705	Pannello laterale sinistro	Lateral panel	4
4	00104700	Pannello anteriore apribile	Front panel	1
5	00105779	Griglia	Grid	1
6	00105782	Griglia	Grid	1
7	00105783	Pannello posteriore	Rear panel	2
8	00106391	Pannello inferiore	Low panel	1
9	00107349	Pannello	Panel	1
10	00107693	Pannello inferiore	Low panel	1
11	00108314	Pannello inferiore	Low panel	1
13	00110565	Pannello superiore	Upper panel	1
14	00110820	Pannello anteriore sinistro	Front left panel	1
15	00112914	Telaio	Frame	1
16	00112915	Pannello superiore apribile	Upper panel	3
17	00112916	Pannello superiore fisso	Upper panel	1
18	00112917	Cover	Cover	1
19	00063784	Cerniera	Hinge	14
20	00084795	Pannello fisso	Fixed panel	2
22	0027.104	Maniglia	Handle	6
23	00104714	Maniglia	Handle	5
24	00085537	Pannello	Panel	1
25	00104774	Serratura	Lock	16



Technomatic**F90 2ST**

Tavola / Assembly

1302PEDANE E PARAFANGHI
STEPS AND MUDGUARDS

<u>RIF. / REF.</u>	<u>NUMERO PARTE PART NUMBER</u>	<u>DESCRIZIONE</u>	<u>DESCRIPTION</u>	<u>Q.TA' / Q.TY</u>
1	00112911	Pedana laterale cabina	Lateral cab bracket	2
2	00105761	Gradino	Step	2
3	00112087	Gradino	Step	2
4	00104577	Gradino	Step	2
5	00112909	Pedana retro cabina	Rear cab bracket	1
6	00112919	Griglia inferiore per radiatore	Radiator lower grille	1
7	00094461	Parafango	Mudguard	4
8	00025000	Paraspruzzi	Splash protection	2
9	00085863	Tappo	Plug	6
10	V1013409	Vite	Screw 8x1,25x20	48
	D00.1217	Rondella grembialina	Washer d.8	48
	D0031344	Dado	Nut	48





F90 2ST

Tavola / Assembly

1401

CABINA
CAB

<u>RIF. / REF.</u>	<u>NUMERO PARTE</u> <u>PART NUMBER</u>	<u>DESCRIZIONE</u>	<u>DESCRIPTION</u>	<u>Q.TA' / Q.TY</u>
1	-	Cabina	Cab	1
2	00112544	Protezione anteriore cabina	Cab front protection	1
	00112545	Riscontro	Fixing plate	1



Technomatic**F90 2ST**

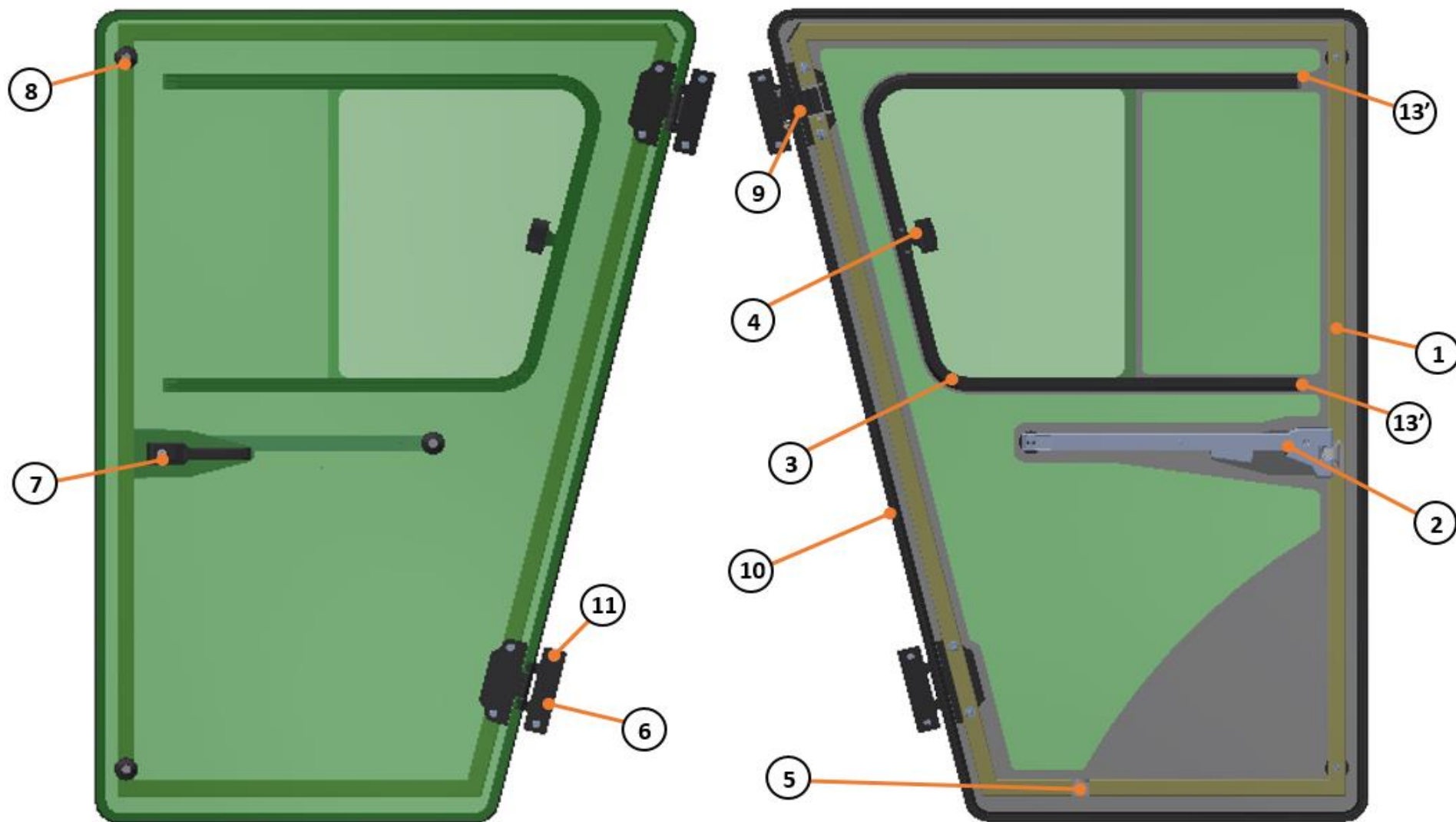
Tavola / Assembly

1402

CABINA

CAB

<u>RIF. / REF.</u>	<u>NUMERO PARTE</u> <u>PART NUMBER</u>	<u>DESCRIZIONE</u>	<u>DESCRIPTION</u>	<u>Q.TA' / Q.TY</u>
1	00112944	Cristallo anteriore	Front glass	1
2	00112945	Cristallo posteriore	Rear glass	1
3	5410.902 - left door	Cistallo porta sinistra	Left door glass	1
4	5410.902 - sliding glass	Cristallo scorrevole sinistro	Left sliding glass	1
5	E826-B	Cristallo laterale (sinistro)	Lateral glass (left)	1
6	5410.903 - right door	Cristallo porta destra	Right door glass	1
7	5410.903 - sliding door	Cristallo scorrevole destro	Right sliding glass	1
8	E826-B RH - 12602	Cristallo laterale (destra)	Lateral glass (right)	1

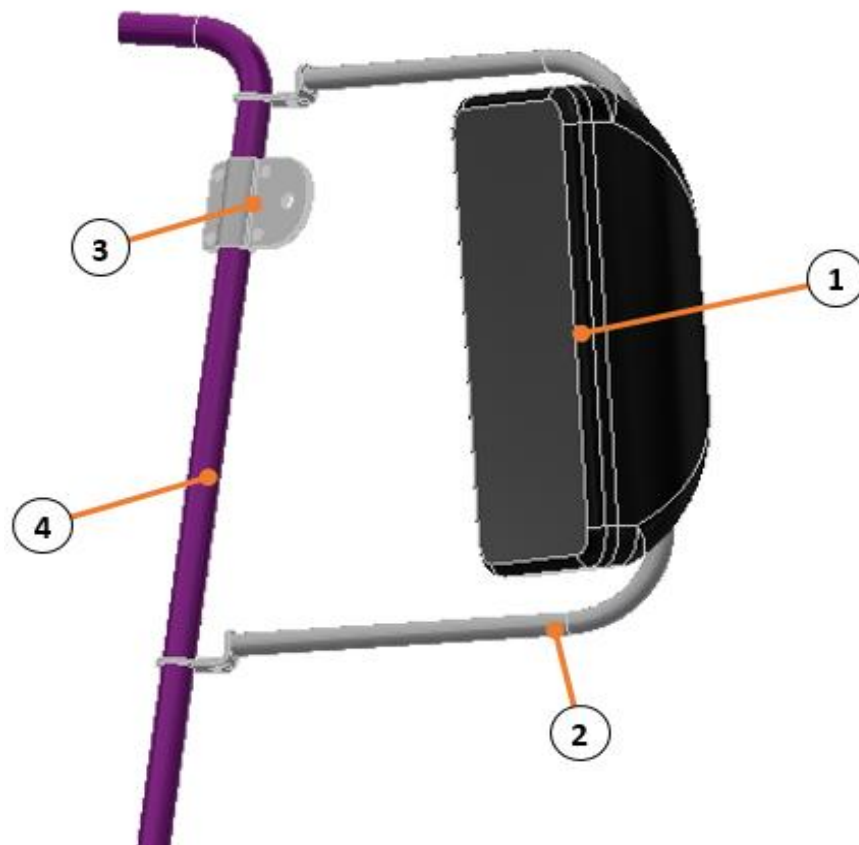


Technomatic**F90 2ST**

Tavola / Assembly

1403PORTE CABINA
CAB DOORS

<u>RIF. / REF.</u>	<u>NUMERO PARTE PART NUMBER</u>	<u>DESCRIZIONE</u>	<u>DESCRIPTION</u>	<u>Q.TA' / Q.TY</u>
1	5410.508	Telaio porta DX	Right door chassis	1
	5410.507	Telaio porta SX	Left door chassis	1
2	MS 137311	Maniglia interna DX	Right internal handel	1
	MS 136311	Maniglia interna SX	Left internal handel	1
3	H02.01.114 - 5410.LH	Guarnizione cristallo scorrevole	Sliding glass gasket	1
4	H05.029.01	Blocco vetro	Glass block	1
5	15101.96	Supporto	Support	1
6	MS146315	Cerniera	Hinge	2
7	MN7-12602	Maniglia esterna	External handel	1
8	-	Vite M8x50	Screw M8x50	3
	130316	Rondella	Washer	3
	-	Rondella M8	Washer M8	3
	-	Dado M8	Nut M8	3
9	12602.480	Fascia di sicurezza	Safety band	1
10	GM15-12601	Guarnizione porta DX	Right door gasket	1
	GM15-15101	Guarnizione porta SX	Left door gasket	1
11	-	Vite M8x20	Screw M8x20	8
	-	Rondella M8	Washer M8	8
	-	Dado M8	Nut M8	8
12	-	Vite M6x70	Screw M6x70	2
	-	Dado M6	Nut M6	2
13	H.06.27	Tappo ferma vetro	Stopper	1
13'	H.06.26	Tappo ferma vetro	Stopper	1



Technomatic**F90 2ST**

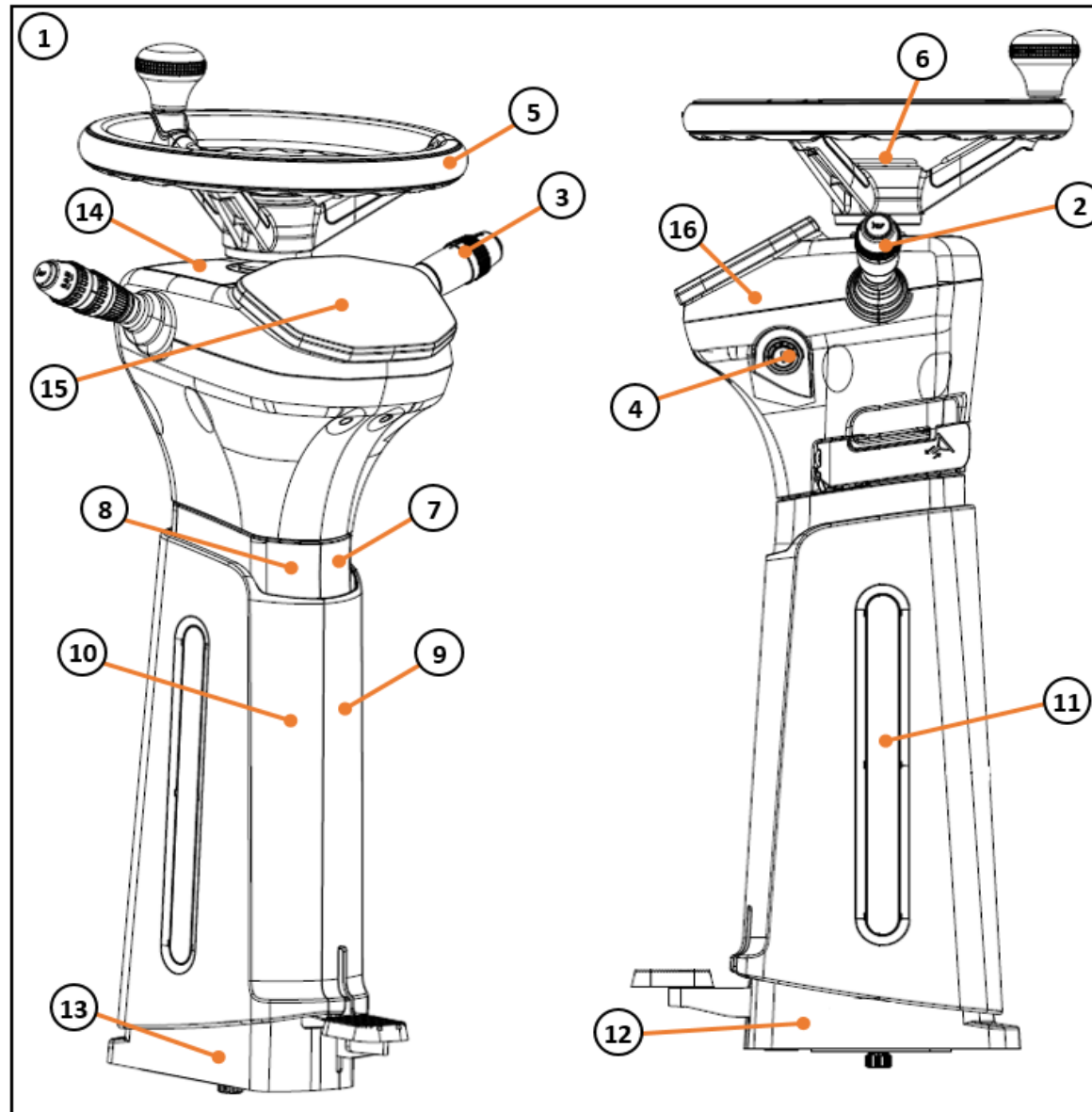
Tavola / Assembly

1404

SPECCHI RETROVISORI

REARVIEW MIRRORS

<u>RIF. / REF.</u>	<u>NUMERO PARTE</u> <u>PART NUMBER</u>	<u>DESCRIZIONE</u>	<u>DESCRIPTION</u>	<u>Q.TA' / Q.TY</u>
1	00094889	Specchio retrovisore	Rearview mirror	2
2 - DX	00112209	Supporto specchio	Rearview mirror support	1
2 - SX	00112210	Supporto specchio	Rearview mirror support	1
3	00112144	Morsetto	Clamp	8
4	-	Supporto	Support	2

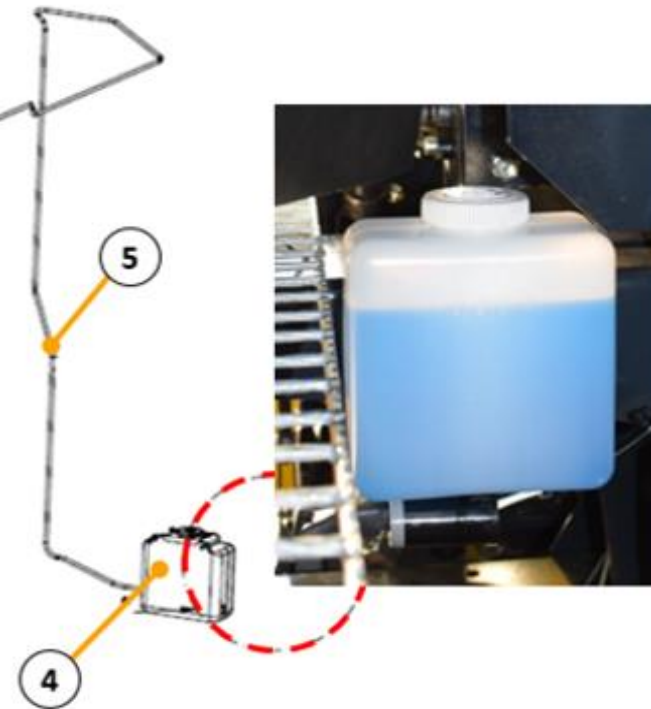
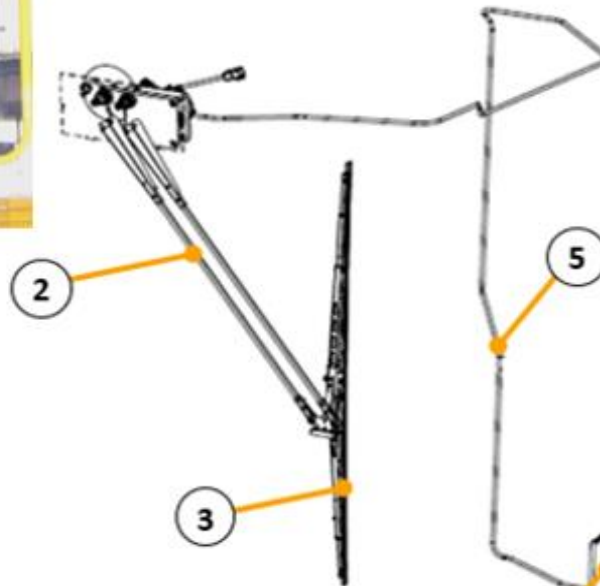
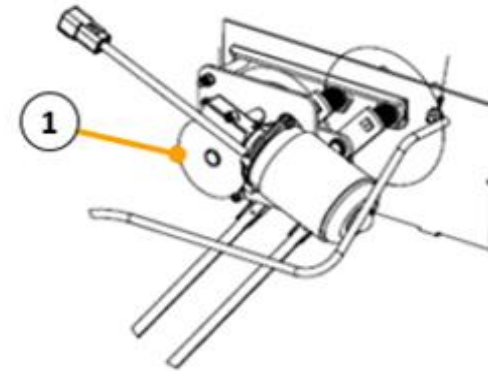
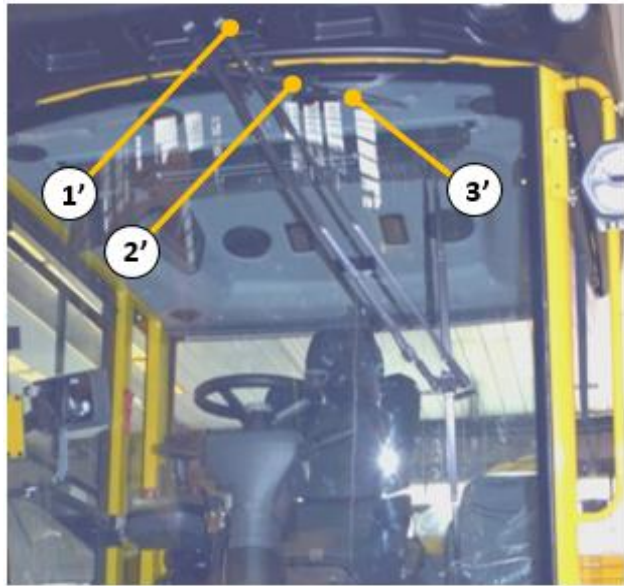


Technomatic**F90 2ST**

Tavola / Assembly

1405COLONNA STERZO
STEERING COLUMN

<u>RIF. / REF.</u>	<u>NUMERO PARTE PART NUMBER</u>	<u>DESCRIZIONE</u>	<u>DESCRIPTION</u>	<u>Q.TA' / Q.TY</u>
1	00112093	Colonna sterzo completa	Complete steering column	1
2	01-1179-000-01	Selettore	Column switch	1
3	01-1420-0000	Selettore luci / tergicristalli	Columns switch omnia can bus	1
4	14-0322-1000	Nottolino avviamento	Ignition switch	1
5	0032-0861	Kit volante	Steering wheel kit	1
6	0047-0455	Tappo volante	Steering wheel cap	1
7	0060-0865	Cover superiore destra	Right upper cover	1
8	0060-0866	Cover superiore sinistra	Left upper cover	1
9	0060-0867	Cover inferiore destra	Right lower cover	1
10	0060-0868	Cover inferiore sinistra	Left lower cover	1
11	0060-0869	Inserto cover	Covers insert	1
12	0060-0870	Protezione destra	Right protection	1
13	0060-0871	Protezione sinistra	Left protection	1
14	0060-0674	Cover superiore	Superior cover	1
15	0060-0878	Supporto pannello	Support panel	1
16	00060-0941	Pannello superiore	Upper panel	1





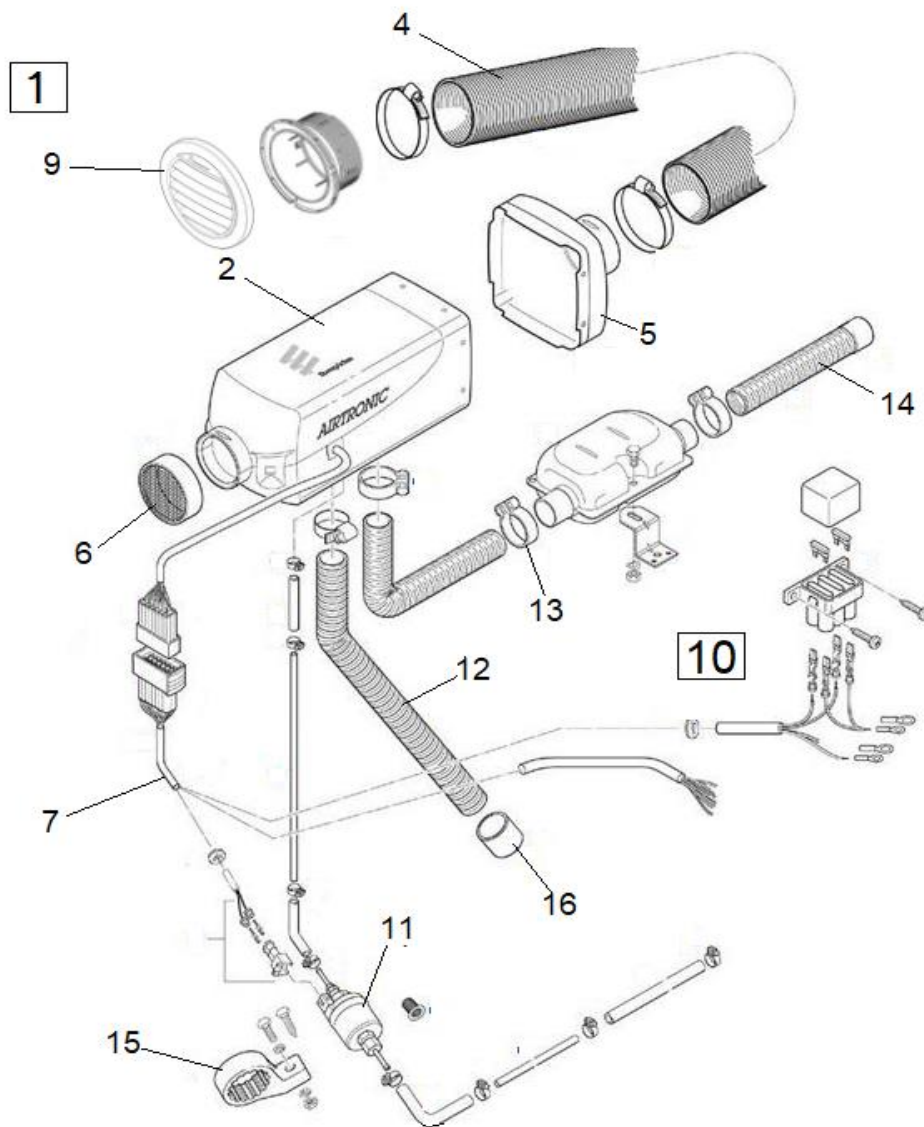
F90 2ST

Tavola / Assembly

1406

TERGICRISTALLO
WINDSHIELD WIPER

<u>RIF. / REF.</u>	<u>NUMERO PARTE PART NUMBER</u>	<u>DESCRIZIONE</u>	<u>DESCRIPTION</u>	<u>Q.TA' / Q.TY</u>
1	00112946	Motore	Wiper motor	1
1'	00112949	Kit cinematismo braccio ausiliario tergicristallo	Auxiliary wiper arm kinematics kit	1
2	00112947	Braccio principale (L.940 mm)	Main wiper arm (L.940 mm)	1
2'	00112950	Braccio ausiliario (L.245 mm)	Auxiliary wiper arm (L.245 mm)	1
3	00112948	Spazzola principale	Main wiper blade	1
3'	00112951	Spazzola ausiliaria	Auxiliary wiper blade	1
4	-	Serbatoio	Washer reservoir	1
5	-	Tube	Hose	REF



Technomatic**F90 2ST**

Tavola / Assembly

1407RISCALDATORE SUPPLEMENTARE
SUPPLEMENTARY HEATER

<u>RIF. / REF.</u>	<u>NUMERO PARTE PART NUMBER</u>	<u>DESCRIZIONE</u>	<u>DESCRIPTION</u>	<u>Q.TA' / Q.TY</u>
1	00104629	Kit riscaldatore in cabina	Heating kit in cab	1
2	252070050000	Riscaldatore	Heater	1
3	221000320700	Modulatore	Setting device	1
4	102114310000	Tubo	Pipe	1
5	221000010020	Bocchetta semisferica	Semi-spheric outlet	1
6	251688800600	Bocchetta griglia	Grille outlet	1
7	252069800200	Cablaggio	Cables	1
8	221000010035	Supporto bocchetta	Support	1
9	221000010044	Bocchetta piatta	Plate outlet	1
10	00104630	Kit riscaldatore a telaio	Heater kit on chassis	1
10	224518010000	Pompa dosatrice	Moduling pump	1
11	36000006	Tubo	Pipe	1
12	15261102	Fascetta	Clamp	-
13	36061550	Tubo	Pipe	1
14	221000500300	Supporto pompa	Pump support	1
15	251729800600	Terminale	End pipe	1



1

2

3



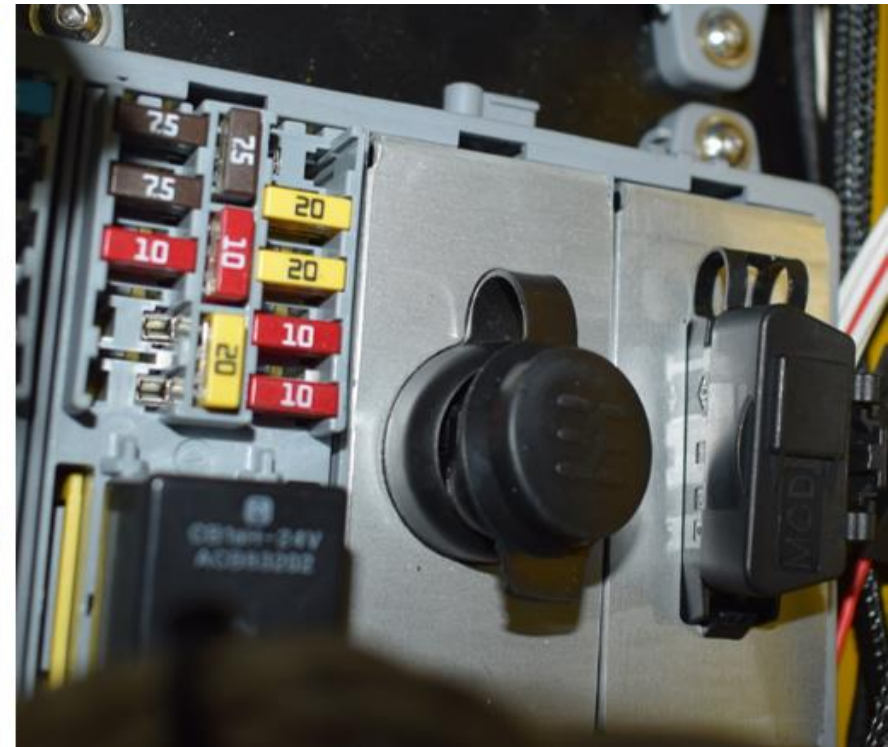
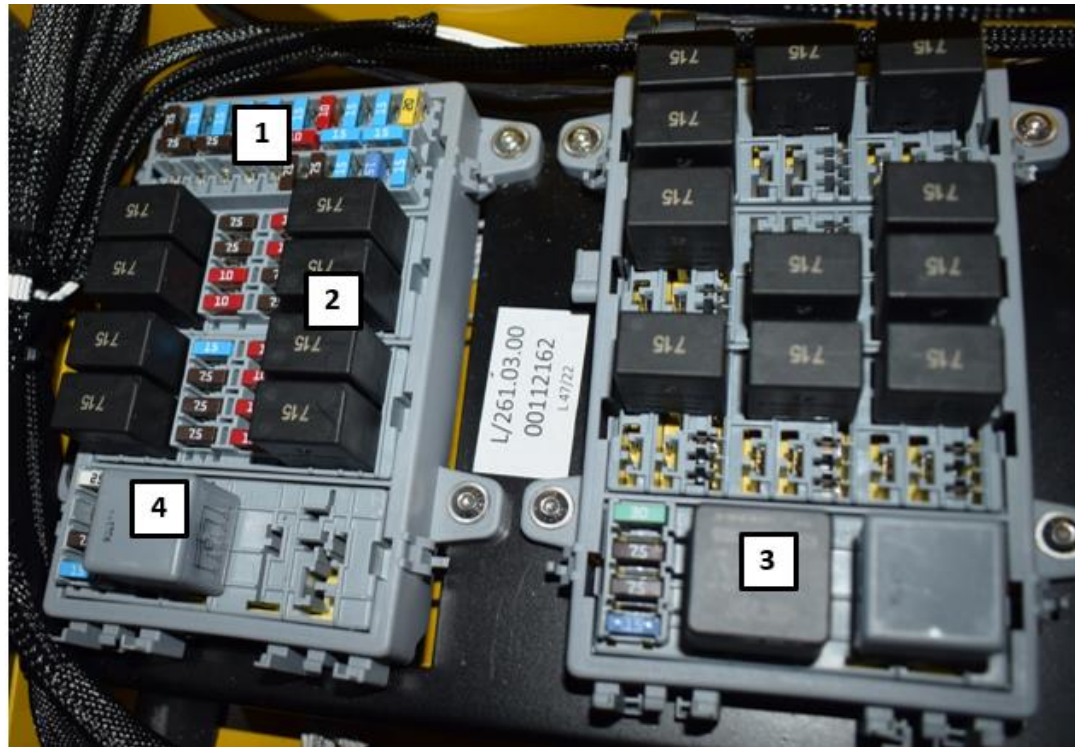
F90 2ST

Tavola / Assembly

1501

STRUMENTAZIONE CABINA
CAB CONTROLS

<u>RIF. / REF.</u>	<u>NUMERO PARTE</u> <u>PART NUMBER</u>	<u>DESCRIZIONE</u>	<u>DESCRIPTION</u>	<u>Q.TA' / Q.TY</u>
1	00105464	Monitor	Monitor	1
2	00112093	Colonna sterzo	Steering column	1
3	00112083	Bracciolo completo di strumenazione	Arm support with instrumentation	1



Technomatic**F90 2ST**

Tavola / Assembly

1502FUSIBILI E RELAIS
FUSES AND RELAIS

<u>RIF. / REF.</u>	<u>NUMERO PARTE</u> <u>PART NUMBER</u>	<u>DESCRIZIONE</u>	<u>DESCRIPTION</u>	<u>Q.TA' / Q.TY</u>
1	00099310	Fusibile mini 5 A	Fuse 5 A	\
	00091759	Fusibile mini 7,5 A	Fuse 7,5 A	\
	00091760	Fusibile mini 10 A	Fuse 10 A	\
	00091762	Fusibile mini 15 A	Fuse 15 A	\
	00110104	Fusibile mini 20 A	Fuse 20 A	\
	00102590	Fusibile mini 25 A	Fuse 25 A	\
2	00083707	Micro-relè	Micro-relay	\
3	001961/1	Relè	Relay	\
4	001961/3	Relè	Relay	\





F90 2ST

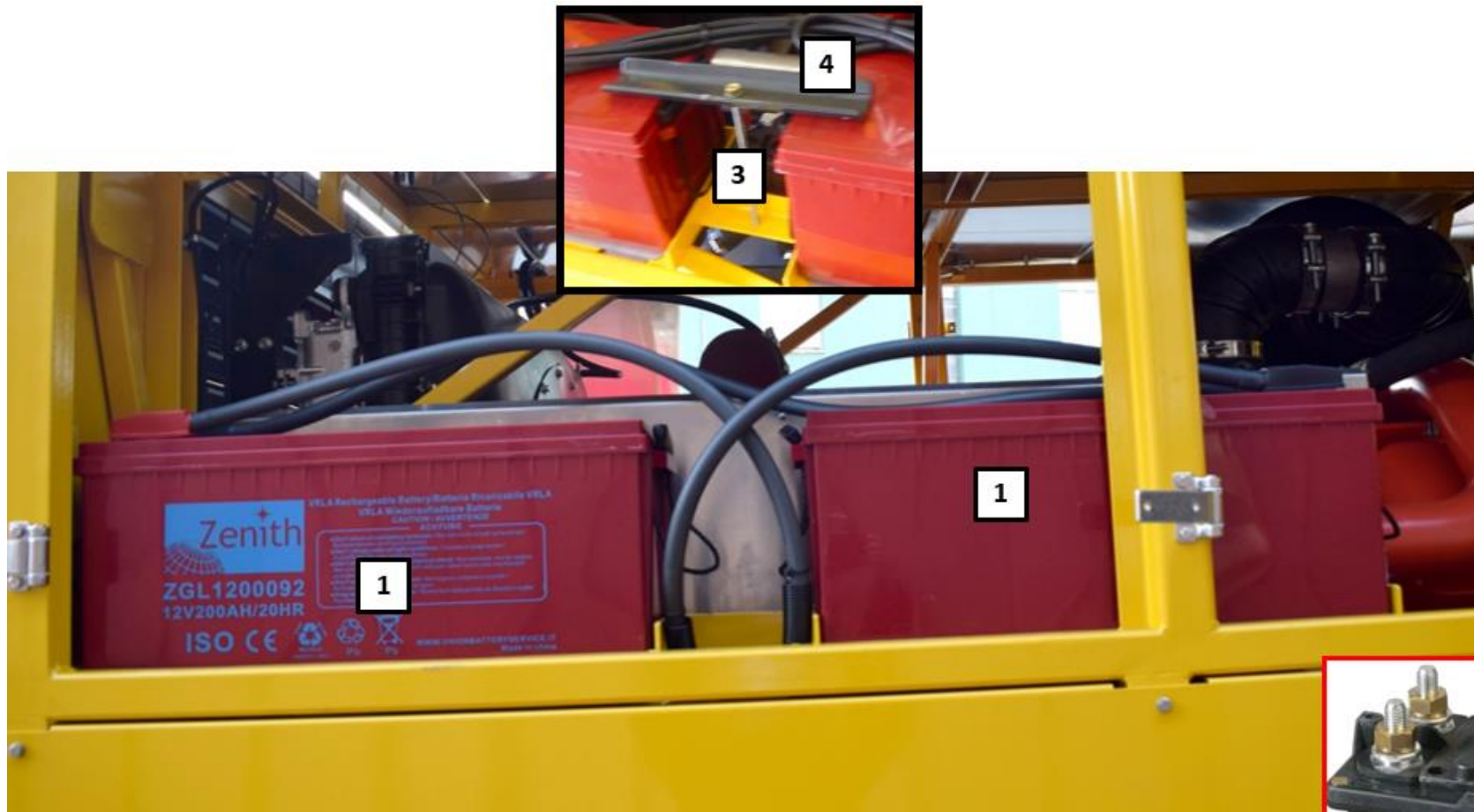
Tavola / Assembly

1503

PLC

PLC

<u>RIF. / REF.</u>	<u>NUMERO PARTE</u> <u>PART NUMBER</u>	<u>DESCRIZIONE</u>	<u>DESCRIPTION</u>	<u>Q.TA' / Q.TY</u>
1	00106107	Centralina MC2C	MC2C control units	1
2	00106153	Centralina MIDAC	MIDAC control units	1
3	00102561	Centralina DANFOSS	DANFOSS control units	1





F90 2ST

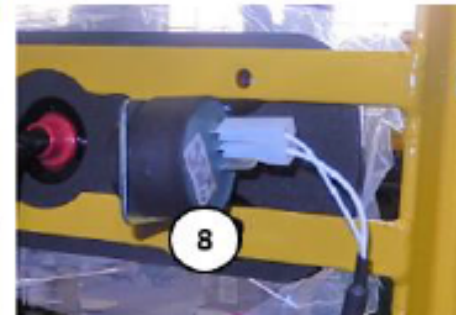
Tavola / Assembly

1504

BATTERIE
BATTERIES

<u>RIF. / REF.</u>	<u>NUMERO PARTE</u> <u>PART NUMBER</u>	<u>DESCRIZIONE</u>	<u>DESCRIPTION</u>	<u>Q.TA' / Q.TY</u>
1	00108136	Batteria	Battery	2
2	00110786	Staccabatteria	Batteries disconnection	1
3	00011245	Tirante	Tie rod	1
4	00104811	Fermo batterie	Batteries fixing	1

* Set cavi batteria / Battery cables set S/N. **00112166**



Technomatic**F90 2ST**

Tavola / Assembly

1505BATTERIE
BATTERIES

<u>RIF. / REF.</u>	<u>NUMERO PARTE</u> <u>PART NUMBER</u>	<u>DESCRIZIONE</u>	<u>DESCRIPTION</u>	<u>Q.TA' / Q.TY</u>
1	00112140	Faro anteriore destro	Front right adlight	1
2	00112141	Faro anteriore sinistro	Front left adlight	1
3	00112182	Faro lavoro	Work light	2
4	00112224	Faro lavoro	Work light	2
5	00106208	Lampeggiante giallo	Beacon	3
6	00109390	Fanale posteriore	Rear adlight	2
7	00112169	Faro lavoro posteriore	Rear work light	1
8	00084364	Cicalina retromarcia	Reverse buzzer	1

INSTRUCTION FOR VEHICLE MOVING



WARNING:
Before starting the vehicle, make sure no one is around

IGNITION:

- 1) Be aware the parking brake is engaged (press on the button (P))
- 2) Put the direction lever in neutral position (central)



- 3) Connect the batteries.
Keep press the switch in the upper part to connect the batteries, until on the monitor appear:



- 4) Start the traction engine by rotating the ignition key (it located to the right of the steering wheel). Turn the key clockwise to the first position to turn on the instrument panel. Rotate the second click to start the traction engine



MOVE THE VEHICLE:



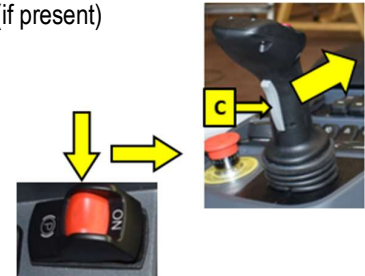
ATTENTION! Before moving the vehicle, it is necessary that on the monitor:

- The clutch light stops flashing



Once the engine is started:

- 1) Lift completely the blowerhead by pressing the button **C** on joystick and moving it in (if present)
- 2) Press the brake pedal and disengage the parking brake (press and move forward the red button "ON").



- 3) Lift the direction control lever and move it in forward or backward for vehicle in forward or reverse.
On monitor lights on the indicator F (forward) or R (reverse).

To proceed in reverse, before accelerating, wait for the light stop flashing.



- 4) Gradually accelerate.

SHUT DOWN THE ENGINE

- 1) Brake the vehicle and insert the neutral (press N on the transmission panel)
- 2) Engage the parking brake (press on the button (P))
- 3) Shut down the engine by turning the ignition key counterclockwise
- 4) Disconnect batteries (press the switch in the lower part)

NOTE:

Disconnect the batteries when the vehicle is inoperative.
The batteries turn off after 10 minutes.

AFTER 2 HOURS NOT USING THE VEHICLE, THE BATTERIES DISCONNECT AUTOMATICALLY.



WARNING:
DO NOT USE THE SWITCH TO TURN OFF THE ENGINE!

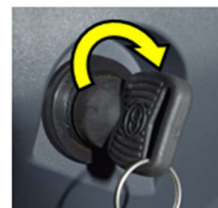
ISTRUZIONI PER MUOVERE IN VEICOLO

**WARNING:**

Prima di avviare il motore, assicurarsi che non ci siano persone attorno

AVVIAMENTO:

- 1) Assicurarsi che il freno di stazionamento sia inserito (Premere su (P))
- 2) Mettere la leva controllo direzione in posizione neutra (centrale)
- 3) Connettere le batterie.
Tenere premuto sulla parte superiore dell'interruttore per connettere le batterie, fino a quando sul monitor non appare:
- 4) Avviare il motore di trazione ruotando la chiave (posta a destra del volante). Girare la chiave in senso orario, alla prima posizione si accende il monitor della strumentazione. Ruotare sulla seconda posizione per accendere il motore

**MUOVERE IL VEICOLO:**

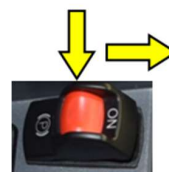
ATTENZIONE! Prima di muovere il veicolo, è necessario che sul monitor:


- La spia della frizione smetta di lampeggiare



Una volta avviato il motore e caricato l'aria:

- 1) Sollevare completamente la testa fresante premendo il tasto **C** del joystick e portando la leva all'indietro.
- 2) Premere il pedale del freno e disinserire il freno di stazionamento (premere e muovere in avanti il pulsante "ON")
- 3) Sollevare la leva controllo direzione e muoverla in avanti o indietro a seconda si voglia procedere in avanti o in retromarcia.
Sul monitor si illumineranno la spia F (avanti) oppure R (indietro)



Per procedere in retromarcia, prima di accelerare, attendere che la spia  smetta di lampeggiare.

- 4) Accelerare gradualmente.

SPEGNERE IL MOTORE

- 1) Fermare il veicolo ed inserire la folle (premere N sul pannello della trasmissione)
- 2) Inserire il freno di stazionamento (premere su (P))
- 3) Spegner il motore ruotando la chiave in senso antiorario
- 4) Disconnettere le batterie (premere il pulsante nella parte inferiore)

**NOTE:**

Disconnettere le batterie quando il veicolo non è operativo

Le batterie si spengono dopo 10 minuti.

DOPO DUE ORE DI INUTILIZZO DEL VEICOLO, LE BATTERIE SI SCOLLEGANO AUTOMATICAMENTE.

**ATTENZIONE:**

NON UTILIZZARE L'INTERRUTTORE PER SPEGNERE IL MOTORE

Snowblower plate adjustment

1.1 PREPARATION OF THE PLATE SUPPORT

Review the thread of the hole with a threaded tap (M10x1).

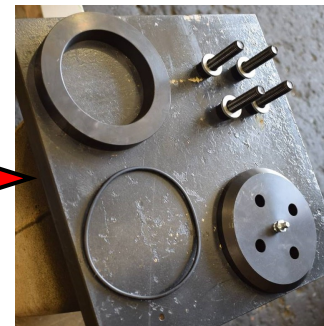
Screw the grease fitting into the hole, the grease nipple must be screwed into the inner side of the support



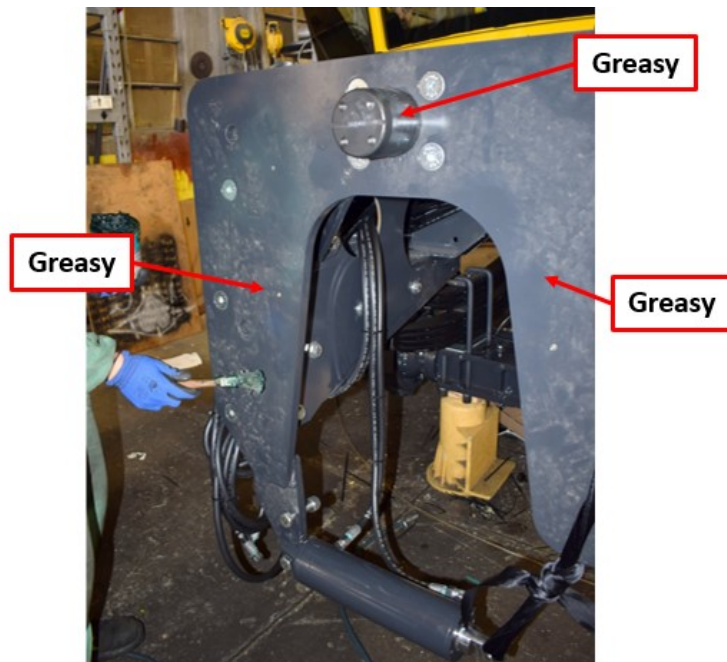
Disconnect the cylinder and place it on the ground as shown in the figure.

Unscrew the four screws and remove the following elements from the pin:

- 4 screw and 4 washer;
- Plug;
- O-ring;
- Conical spacer.



Coat the entire surface of the support with grease, including the pin.



1.2 REMOVING THE PLATE FROM THE SNOWBLOWER

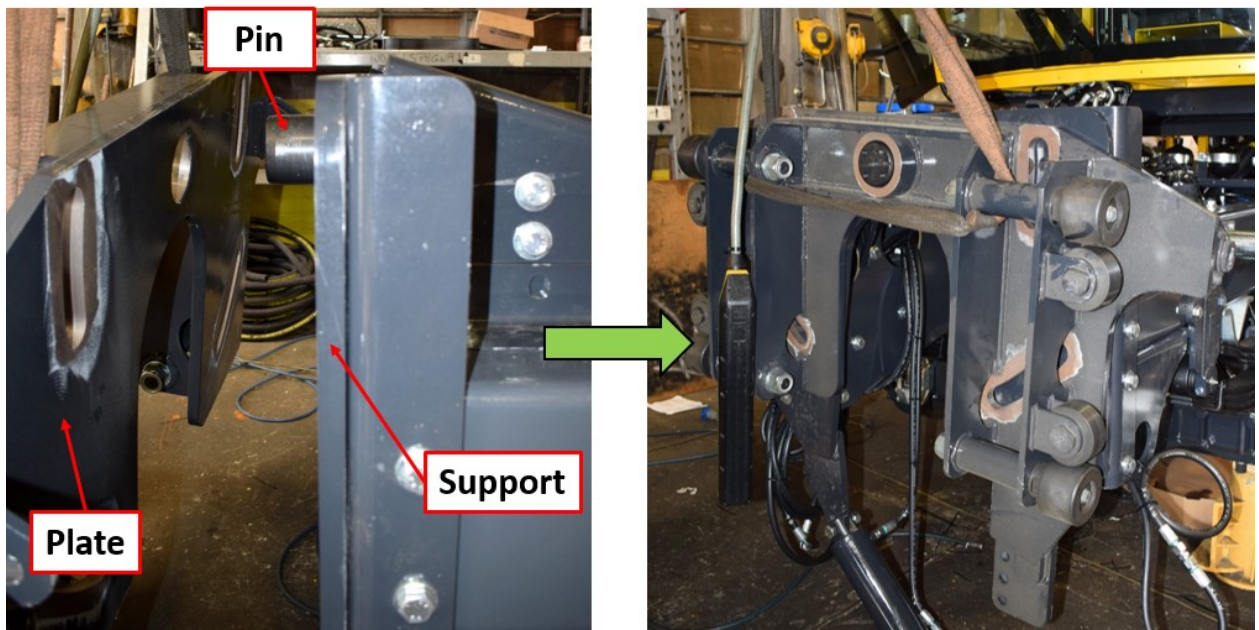
To remove the plate from the snowblowerhead, harness it as shown in the figure.
Disconnect the lift cylinders from the plate by unscrewing nut A and removing pin B.



With the auxiliary of gantry crane, lift the plate and remove it from the trestle.

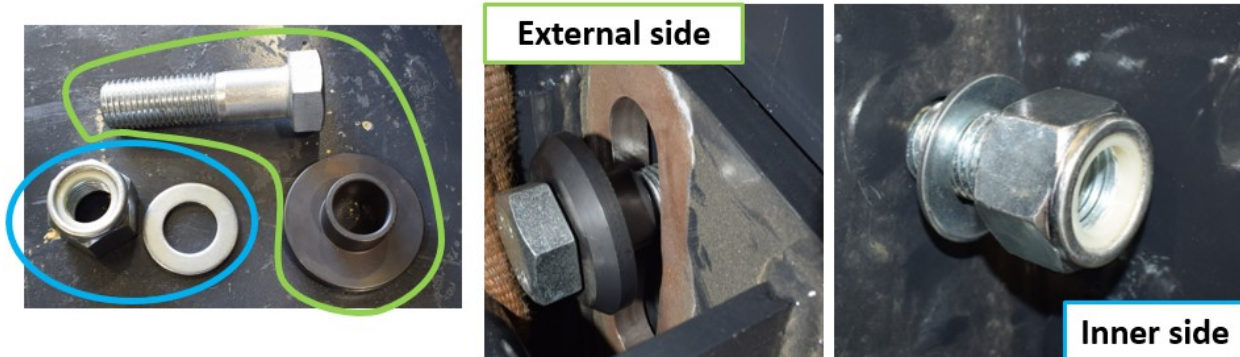
1.3 ASSEMBLY THE PLATE TO THE SUPPORT

With the auxiliary of gantry crane, insert the plate onto the pin of the support.



Connect the plate to the support as follows:

- External side: insert the screw with the spacer;
- Inner side: screw the nut with the washer



WARNING:

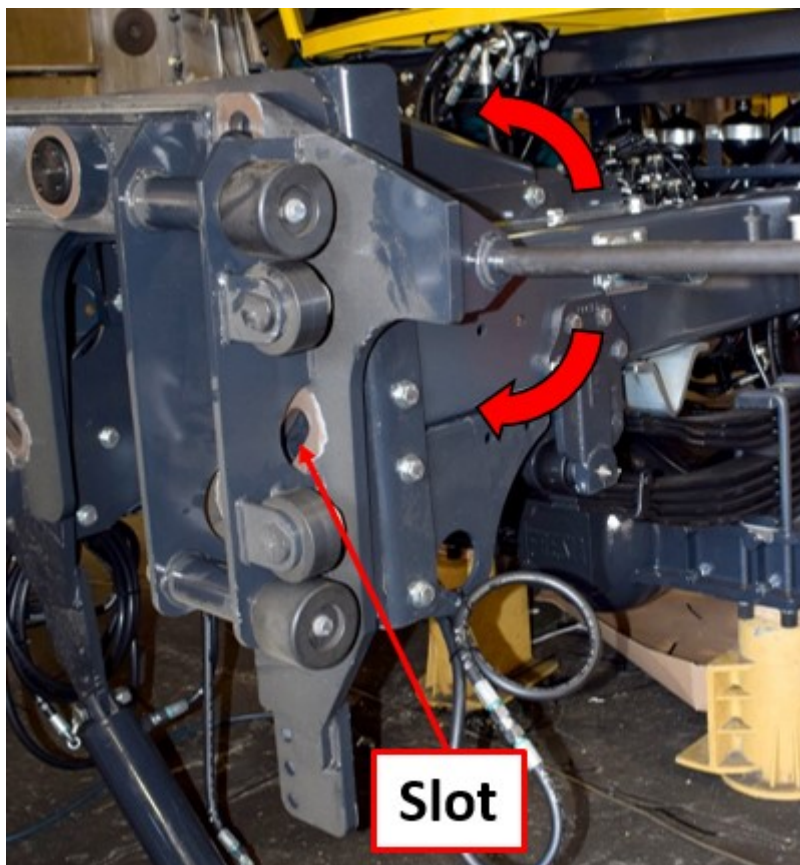
Do not tighten the bolts.

These should only be brought closer together.

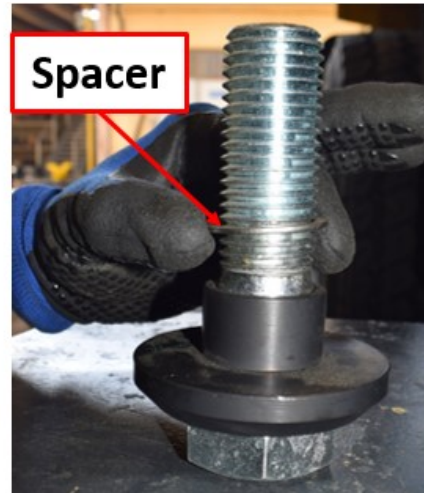
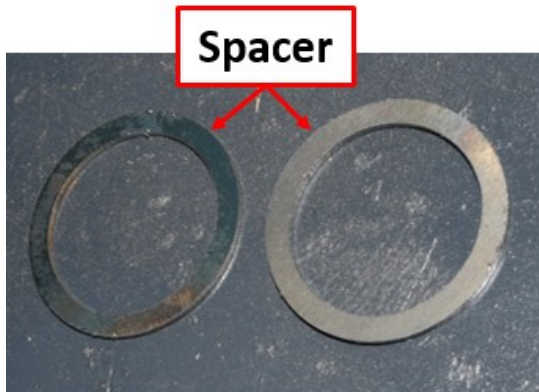
1.4 PLATE CALIBRATION

Proceed by complete tightening the first bolt, leaving the remaining three bolts loose.

Check that it is possible to move the plate along the entire length of the slots.



If the plate cannot be moved or the movement is very difficult, it is necessary to insert a spacer.



Remove the bolt and insert the spacer. Different thicknesses are available, it choose the most suitable one.



NOTE:

It may be necessary to insert more than one spacer

Tighten the bolt and check the swing of the plate. Proceed to the next bolt
Proceed in the same way for all 4 bolts.

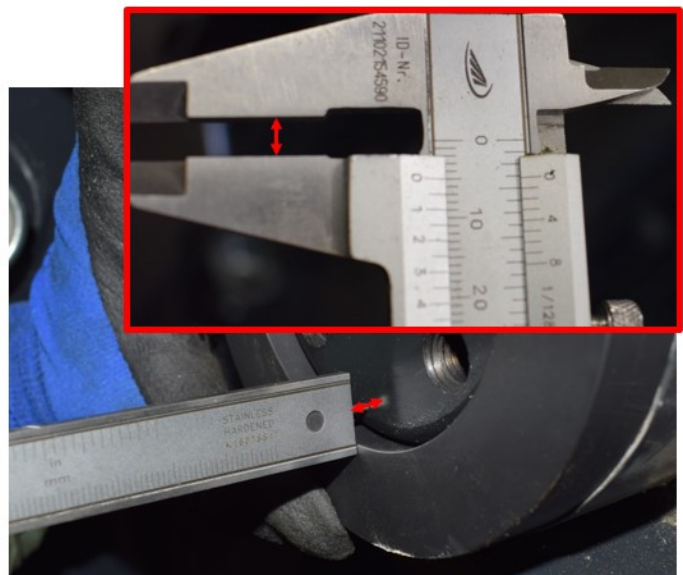
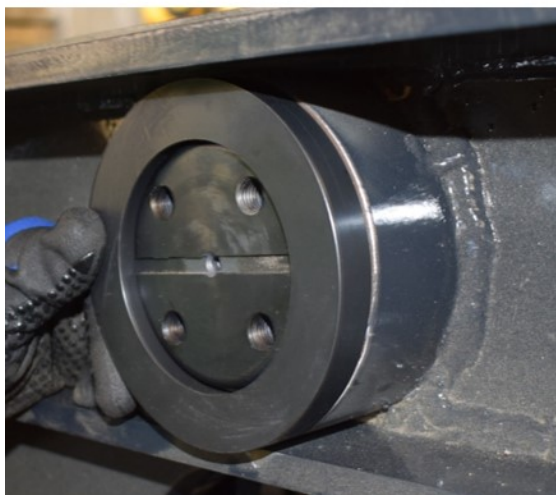


NOTE:

Once all the bolts are tightened, the plate must swing along the entire length of the slots.

1.5 PIN ASSEMBLY

Take the elements removed in chapter 1.1 (4 screw and 4 washer; plug, O-ring and conical spacer).
Place the conical spacer on the pin and measure with the caliper, the distance between the pin and the spacer.



Insert the spacers into the gap between the pin and the conical spacer



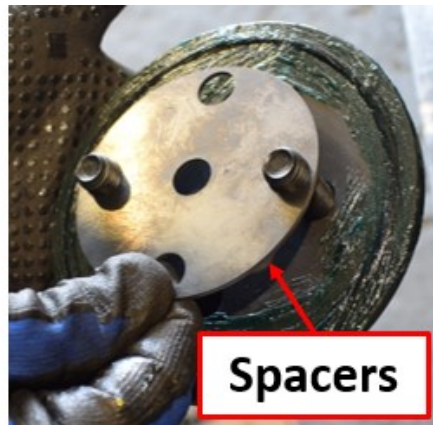
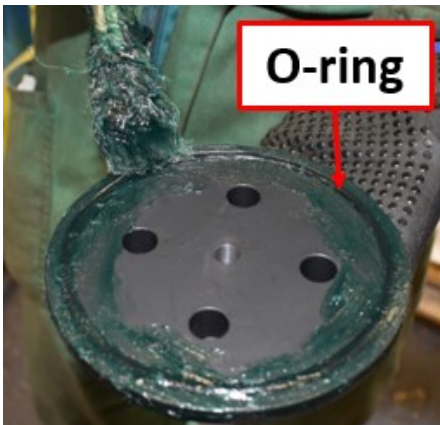
NOTE:

The total thickness of the spacers must be approximately equal to the gap between the pin and the conical spacer.

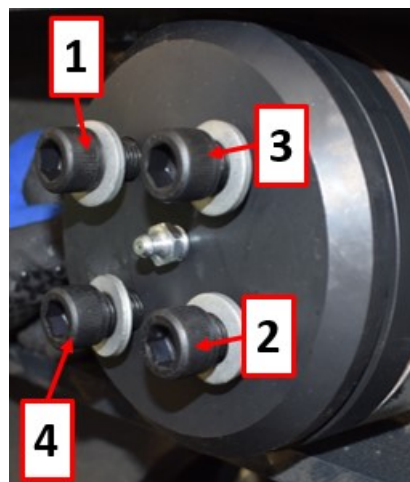


Insert the O-ring into the pin cap and grease the entire surface.

Place the cap on the pin and screw in the screws.



It is necessary to perform the torque adjustment in the following order:



WARNING:



Once all the bolts are tightened, the plate must swing along the entire length of the slots.

If the plate does not swing, add more spacers on the pin.